

SISO

ARCHITECTURAL

hardware



- high quality furniture fittings



The technical descriptions and dimensions in this catalogue, also those with the photographs and drawings, are not binding. We reserve the right to make design improvements.

We bear no liability for any misprints or other errors that might occur in the production of the catalogue.

SISO A/S tager forbehold for trykfejl samt ændringer i produktets specifikationer.

Für Druckfehler und Irrtümer ist jede Haftung ausgeschlossen. Produktänderungen behalten wir uns vor.



- high quality furniture fittings

SISO A/S
MILEPARKEN 11
DK - 2740 SKOVLUNDE
(COPENHAGEN)
DENMARK
PHONE: (+45) 45 830 900

DISTRIBUTOR

CONTENTS

- high quality furniture fittings



SHOWER HINGES 5-21



PIVOT HINGES 22



GLASS DOOR HINGES 23-26



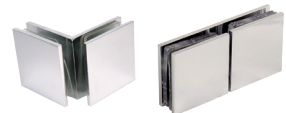
LIFT UP/DOWN HINGES 27-31



SAUNA HINGES & ACCESSORIES FOR SAUNA DOORS 32-36



SHOWER CLAMPS 37-41



SUPPORT BARS & ACCESSORIES 42-52



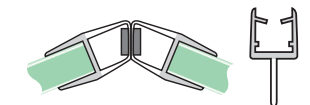
SHOWER DOOR KNOBS & HANDLES 53-56



DOOR HANDLES SS-304 56-61



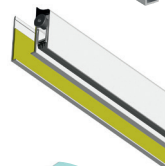
PVC SEALS FOR SHOWER DOORS 62-63



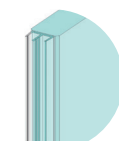
ALUMINIUM U-CHANNELS & ACRYLIC GLASS CONNECTING PROFILES . . 64-65



DROP DOWN PROFILES FOR DOORS 66-67



GLASS SEALING PVC SYSTEMS FOR SLIDING DOORS 68-70



SLIDING DOOR SYSTEM FOR GLASS DOORS 71-74



CONTENTS

FOLDING GLASS DOOR SYSTEM	75-76	
TOILET CUBICLE FITTINGS	77-84	
PARTITION PANEL CLAMPS	85 - 87	
STAINLESS STEEL CLAMPS & STAND-OFFS	88-100	
BALUSTER POSTS	101-107	
CANOPY FITTINGS	108	
FLOOR SPRINGS & PATCH FITTINGS	109 -120	
LOCKS & HANDLES FOR GLASS DOORS	121-130	
DOOR STOPPERS	131-132	
ALU PROFILE GLASS WALL SYSTEMS	133-137	
SOFT CLOSE GLASS DOOR HINGES & FLOOR HINGES ..	138-140	
GLASS CALCULATION	141	

SHOWER DOOR HINGE "RIO" W/CENTRE MOUNTING PLATE

- high quality furniture fittings



Application

W/concealed screws
Suitable for glass doors/shower doors
Drilling/cutting required
W/15° angle adjustment function
W/25° return function (self-centering)
W/black fiber gaskets

Material: Brass

Max glass width: 800 mm

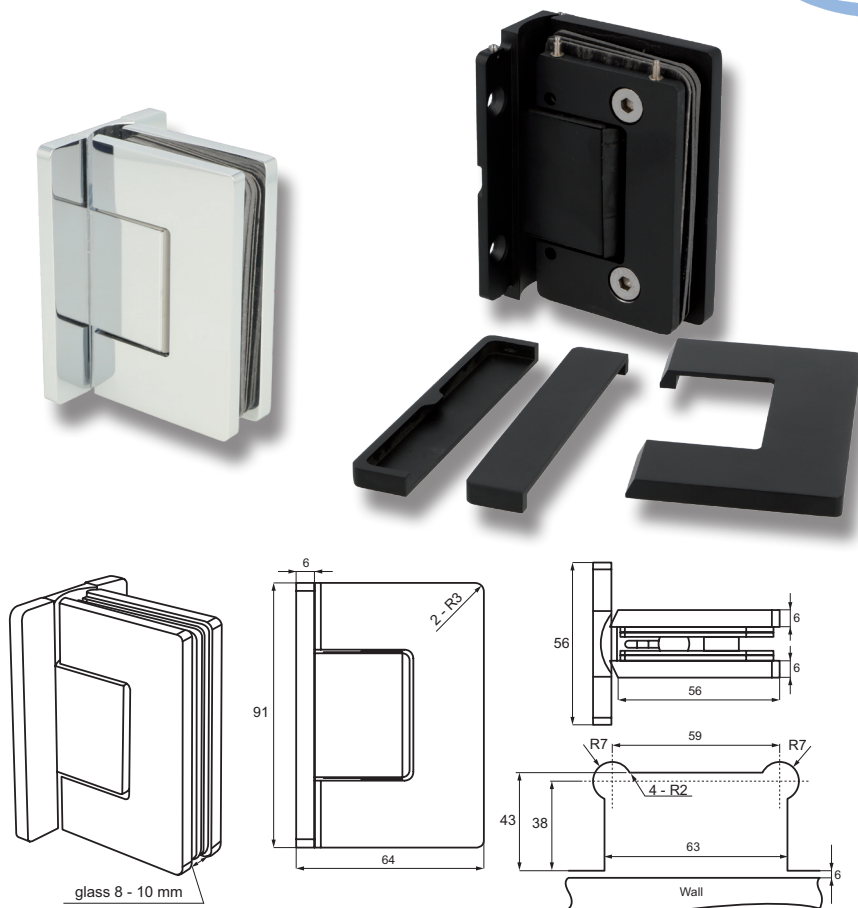
Opening: 90°

Glass thickness: 8 – 10 mm

Load capacity: 20 kg. pr. hinge

Finish

Chrome plated	# 15.23.880-0
Black matt	# 15.23.880-4
SS-look	# 15.23.881-0
Polished Brass	# 15.23.882-0



SHOWER DOOR HINGE "RIO" W/OFF CENTRE MOUNTING PLATE

Application

W/concealed screws
Suitable for glass doors/shower doors
Drilling/cutting required
W/15° angle adjustment function
W/25° return function (self-centering)
W/black fiber gaskets

Material: Brass

Max glass width: 800 mm

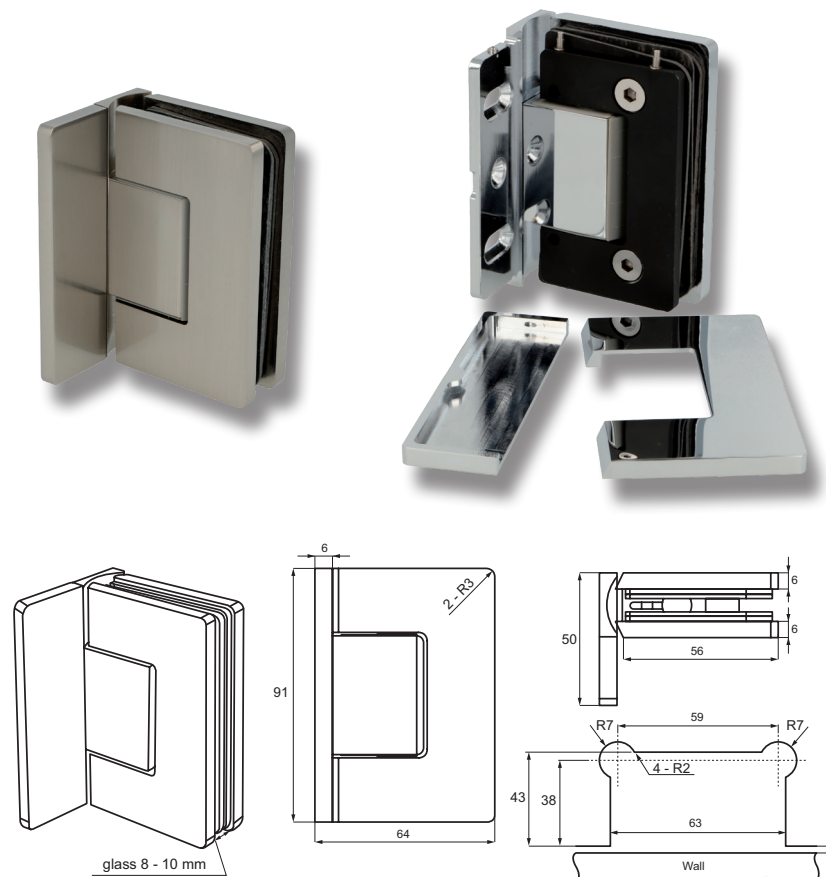
Opening: 90°

Glass thickness: 8 – 10 mm

Load capacity: 20 kg. pr. hinge

Finish

Chrome plated	# 15.23.883-0
Black matt	# 15.23.883-4
SS-look	# 15.23.884-0
Polished Brass	# 15.23.885-0
Brushed Brass	# 15.23.885-8



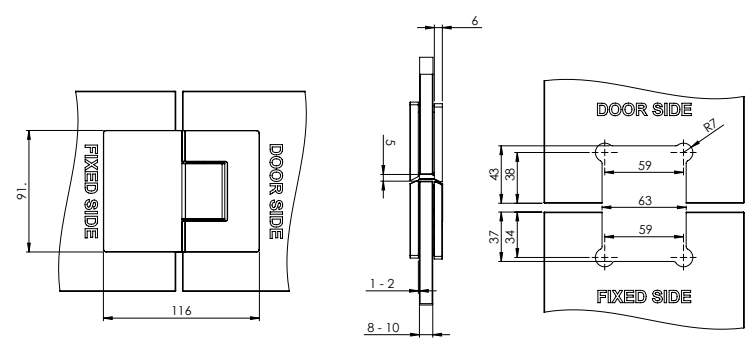
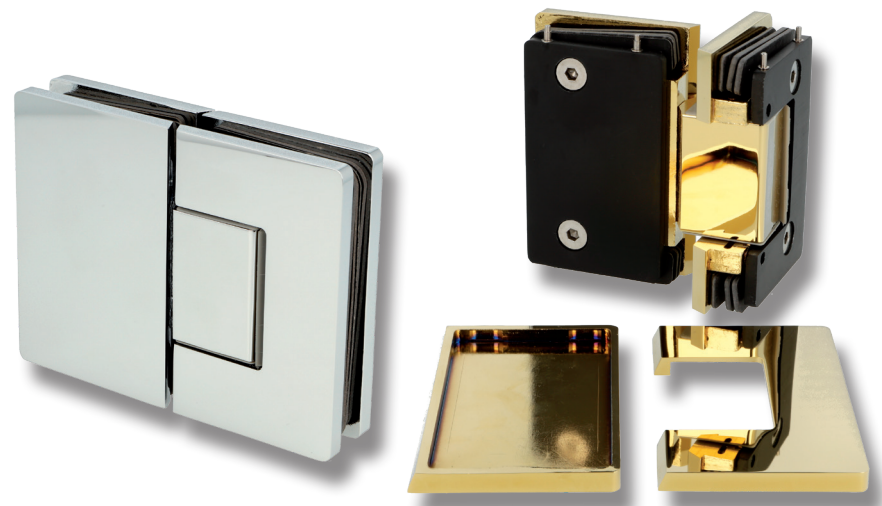
SHOWER DOOR HINGE "RIO" GLASS TO GLASS 180°

Application
 W/concealed screws
 Suitable for glass doors/shower doors
 Drilling/cutting required
 W/15° angle adjustment function
 W/25° return function (self-centering)
 W/black fiber gaskets

Material: Brass
Opening: 180°
Max glass width: 800 mm
Glass thickness: 8 – 10 mm
Load capacity: 20 kg. pr. hinge

Finish

Chrome plated	# 15.23.886-0
Black matt	# 15.23.886-4
SS-lock	# 15.23.887-0
Polished Brass	# 15.23.888-0
Brushed Brass	# 15.23.888-8



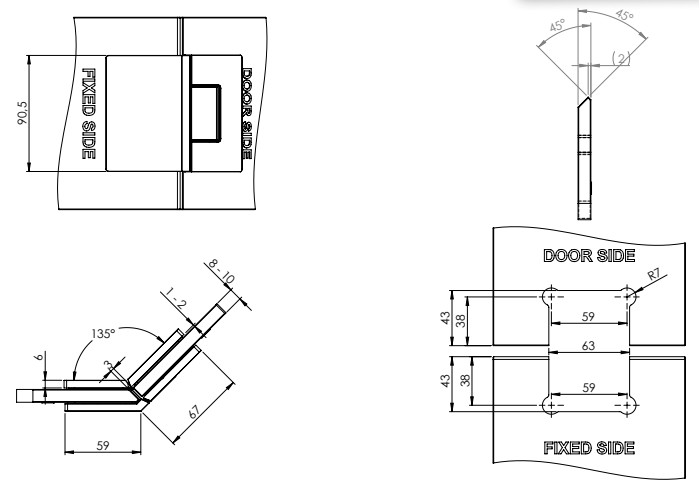
SHOWER DOOR HINGE "RIO" GLASS TO GLASS 135°

Application
 W/concealed screws
 Suitable for glass doors/shower doors
 Drilling/cutting required
 W/15° angle adjustment function
 W/25° return function (self-centering)
 W/black fiber gaskets

Material: Brass
Opening: 135°
Max glass width: 800 mm
Glass thickness: 8 – 10 mm
Load capacity: 20 kg. pr. hinge

Finish

Chrome plated	# 15.23.892-0
Black matt	# 15.23.892-4
SS-lock	# 15.23.893-0
Polished Brass	# 15.23.894-0



SHOWER DOOR HINGE "RIO" GLASS TO GLASS 90°

- high quality furniture fittings



Application

W/concealed screws
Suitable for glass doors/shower doors
Drilling/cutting required
W/15° angle adjustment function
W/25° return function (self-centering)
W/black fiber gaskets

Material: Brass

Opening: 90°

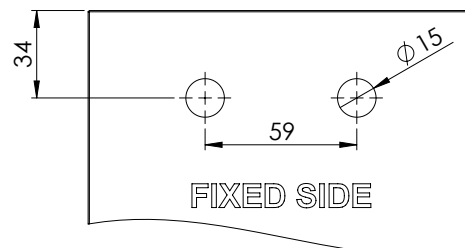
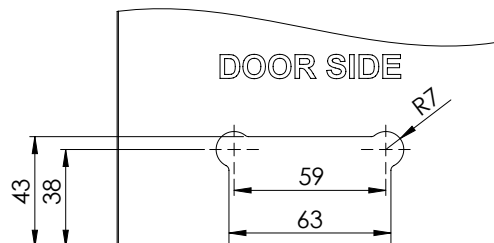
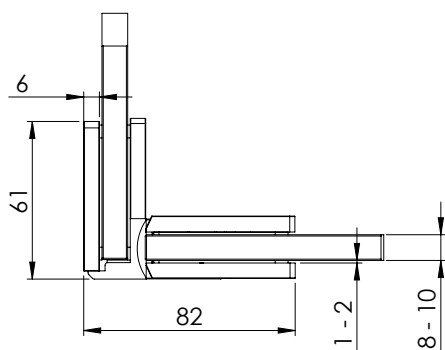
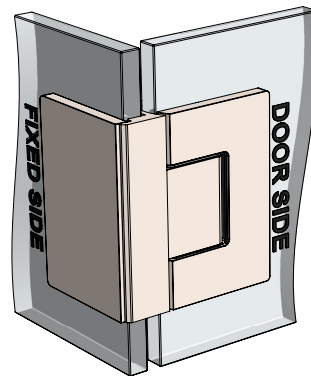
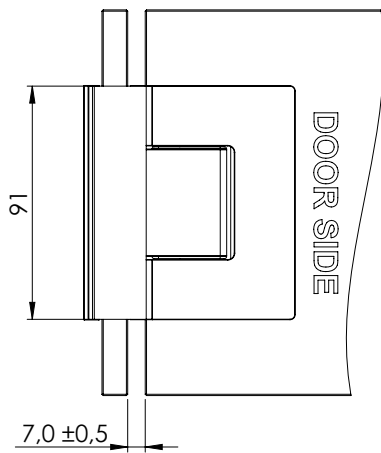
Max glass width: 800 mm

Glass thickness: 8 – 10 mm

Load capacity: 20 kg. pr. hinge

Finish

Chrome plated	# 15.23.889-0
Black matt	# 15.23.889-4
SS-lock	# 15.23.890-0
Polished Brass	# 15.23.891-0



SHOWER DOOR HINGE "TEX III"

Application

Suitable for glass door/shower doors
 Drilling/cutting required
 W/15° angle adjustment function
 W/25° return function (self-centering)

Opening: 90°

Max glass width: 800 mm

Load capacity: 18 kg per hinge

Glass thickness: 6-10 mm

Material

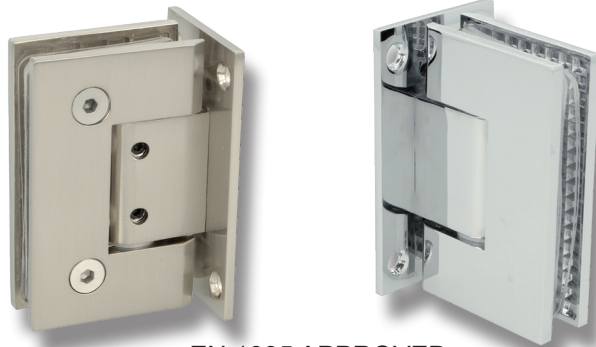
Brass

1 hinge consists of

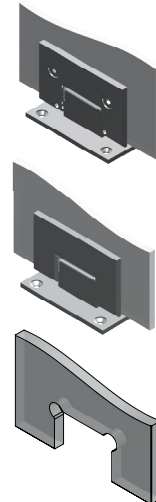
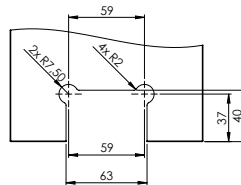
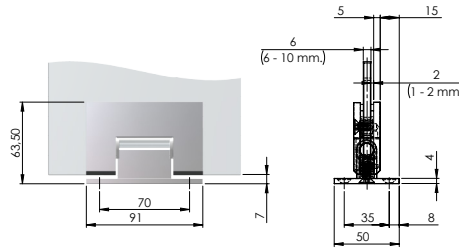
- 1 hinge 91 x 56 mm
- 1 mounting plate 4 x 91 x 50 mm
- 2 hex screws 4 mm
- 1 L-shaped 4 mm hex key
- 2 transparent cushions 1 mm thickness
- 2 transparent cushions 1,5 mm thickness
- 2 screws w/2,5 mm hex
- 1 L-shaped hex key 2,5 mm
- 4 wall plugs
- 4 wall screws

Finish

- Chrome plated # 15.24.050-0
- SS-look # 15.24.050-5
- Alu-look # 15.24.001-0
- Black matt # 15.24.050-4
- Brushed Brass # 15.24.050-7
- Polished Brass # 15.24.050-8



EN 1935 APPROVED



SHOWER DOOR HINGE "TEX III" W/OFF CENTRE MOUNTING PLATE

Application

Suitable for glass door/shower doors
 Drilling/cutting required
 W/15° angle adjustment function
 W/25° return function (self-centering)

Opening: 90°

Max glass width: 800 mm

Load capacity: 18 kg per hinge

Glass thickness: 6-10 mm

Material

Brass

1 hinge consists of

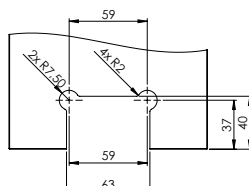
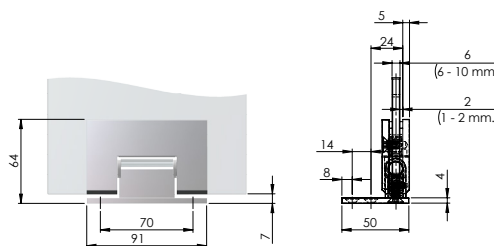
- 1 hinge 91 x 56 mm
- 1 mounting plate 4 x 91 x 50 mm
- 2 hex screws 4 mm
- 1 L-shaped 4 mm hex key
- 2 transparent cushions 1 mm thickness
- 2 transparent cushions 1,5 mm thickness
- 2 screws w/2,5 mm hex
- 1 L-shaped hex key 2,5 mm
- 3 wall plugs
- 3 wall screws

Finish

- Chrome plated # 15.24.051-0
- Black matt # 15.24.051-4
- SS-look # 15.24.051-5
- Brushed Brass # 15.24.051-6
- Polished Brass # 15.24.051-8
- Alu-look # 15.24.051-7



EN 1935 APPROVED



SHOWER DOOR HINGE "TEX III" GLASS TO GLASS 180°

- high quality furniture fittings

SISO
DENMARK

Application

Suitable for glass door/shower doors
Drilling/cutting required
W/15° angle adjustment function
W/25° return function (self-centering)
Opening: 180°
Max glass width: 800 mm
Load capacity: 18 kg per hinge
Glass thickness: 6 - 10 mm

Material

Brass

1 hinge consists of

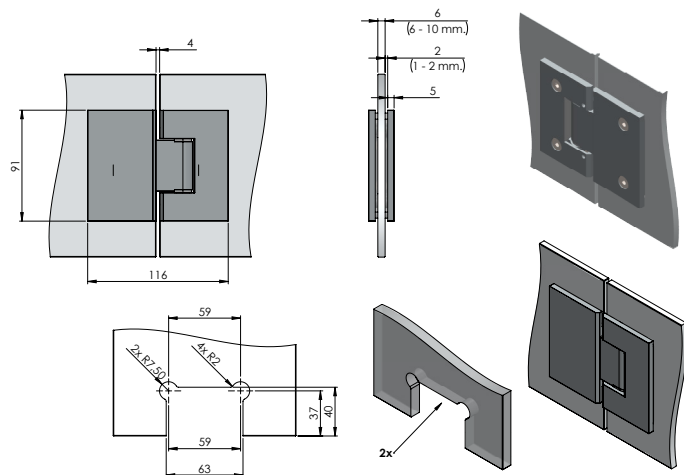
1 hinge 91 x 56 mm
1 glass wall fixing plate 91 x 56 mm
4 hex screws 4 mm
1 L-shaped 4 mm hex key
4 transparent cushions 1 mm thickness
4 transparent cushions 1,5 mm thickness
2 screws w/2,5 mm hex
1 L-shaped hex key 2,5 mm

Finish

Chrome plated # 15.24.052-0
Black matt # 15.24.052-4
SS-look # 15.24.052-5
Brushed Brass # 15.24.052-6
Polished Brass # 15.24.052-8
Alu-look # 15.24.052-7



EN 1935 APPROVED



SHOWER DOOR HINGE "TEX III" GLASS TO GLASS 90°

Application

Suitable for glass doors/shower doors
Drilling/cutting required
W/15° angle adjustment function
W/25° return function (self-centering)

Opening: 90°

Max glass width: 800 mm

Load Capacity: 18 kg per hinge

Glass thickness: 6 - 10 mm

Material

Brass

1 hinge consists of

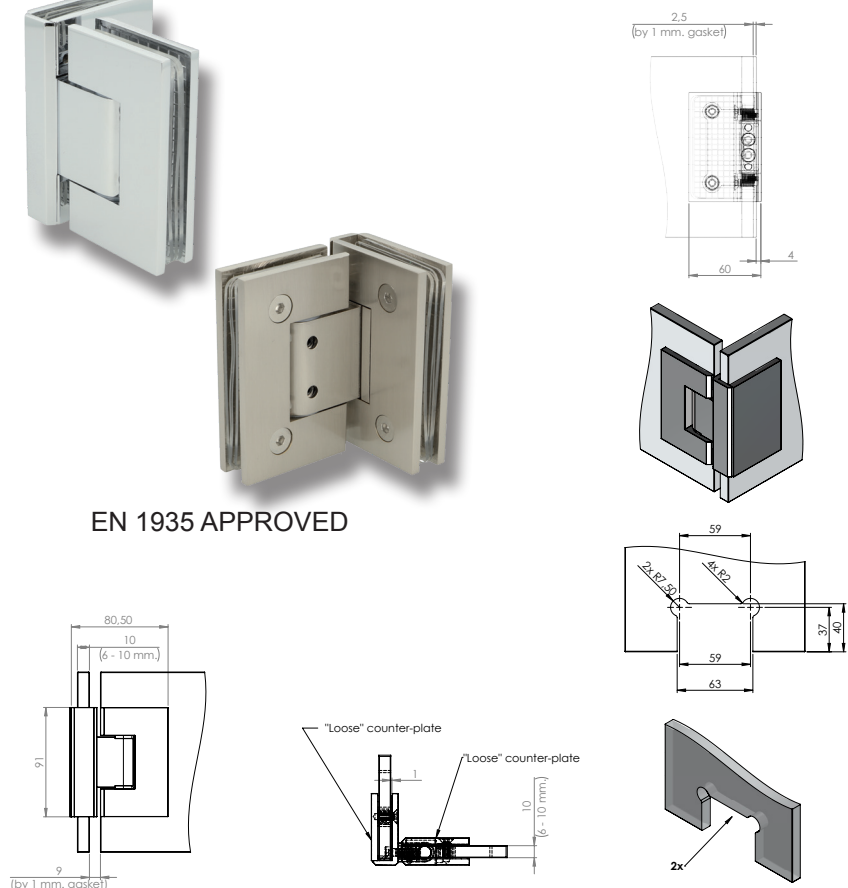
1 hinge 91 x 56 mm
1 glass wall fixing plate 91 x 56 mm
4 hex screws 4 mm
1 L-shaped 4 mm hex key
2 transparent cushions 1 mm thickness
2 transparent cushions 1,5 mm thickness
2 screws w/2,5 mm hex
1 L-shaped 2,5 mm hex key

Finish

Chrome Plated # 15.24.053-0
Black matt # 15.24.053-4
SS-look # 15.24.053-5
Polished Brass # 15.24.053-8



EN 1935 APPROVED



SHOWER DOOR HINGE "TEX III" GLASS TO GLASS 135°

Application

Suitable for glass doors/shower doors
Drilling/cutting required
W/15° angle adjustment function
W/25° return function (self-centering)

Material: Brass

Opening: 135°

Max glass width: 800 mm

Glass thickness: 6 – 10 mm

Load capacity: 18 kg. pr. hinge

1 hinge consists of

- 1 hinge 91 x 56 mm
- 1 glass wall fixing plate 91 x 55 mm
- 4 hex screws 4 mm
- 1 L-shaped 4 mm hex key
- 4 transparent cushions 1 mm thickness
- 4 transparent cushions 2 mm thickness
- 2 screws w/3 mm hex
- 1 L-shaped 3 mm hex key

Finish

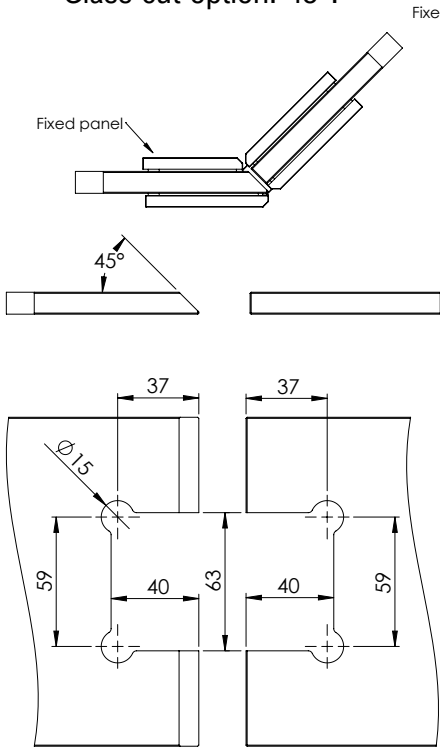
- Chrome plated # 15.24.054-0
- Black matt # 15.24.054-4
- SS-look # 15.24.054-5
- Brushed Brass # 15.24.054-6
- Polished Brass # 15.24.054-8



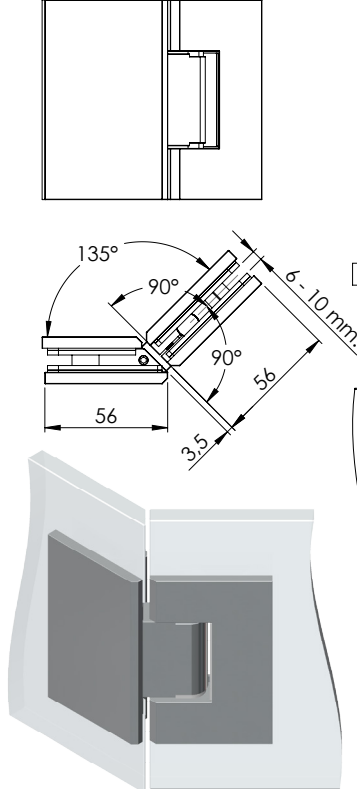
EN 1935 APPROVED



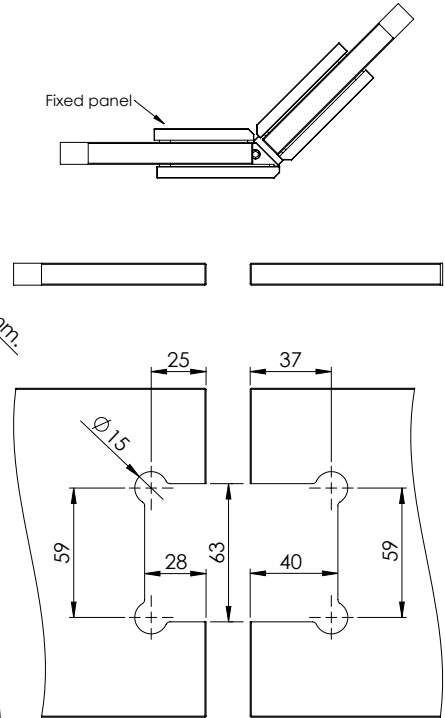
Glass cut option: 45°:



Fixed panel Door panel



Glass cut option: 90°:



SHOWER DOOR HINGE "CPH III"

- high quality furniture fittings

SISO
DENMARK

Application

Suitable for glass door/shower doors
Drilling/cutting required
W/15° angle adjustment function
W/25° return function (self-centering)

Opening: 90°

Max glass width: 800 mm

Load capacity: 18 kg per hinge

Glass thickness: 6-10 mm

Material

Brass

1 hinge consists of

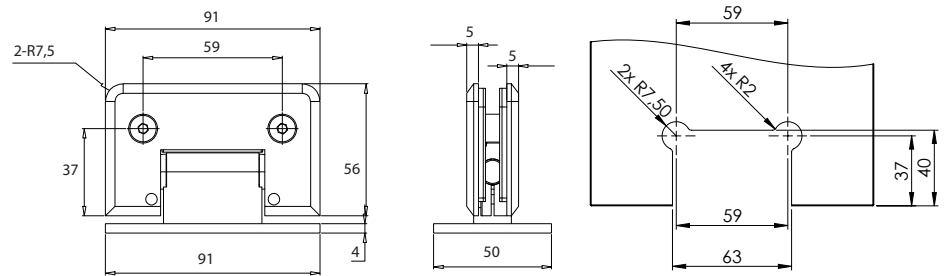
- 1 hinge 91 x 56 mm
- 1 mounting plate 4 x 91 x 50 mm
- 2 hex screws 4 mm
- 1 L-shaped 4 mm hex key
- 2 transparent cushions 1 mm thickness
- 2 transparent cushions 1,5 mm thickness
- 2 screws w/2,5 mm hex
- 1 L-shaped hex key 2,5 mm
- 4 wall plugs & 4 wall screws

Finish

- Chrome plated # 15.24.057-0
- Black matt # 15.24.057-4
- SS-look # 15.24.057-5
- Polished Brass # 15.24.054-8



EN 1935 APPROVED



SHOWER DOOR HINGE "CPH III" W/OFF CENTRE MOUNTING PLATE

Application

Suitable for glass door/shower doors
Drilling/cutting required
W/15° angle adjustment function
W/25° return function (self-centering)

Opening: 90°

Max glass width: 800 mm

Load capacity: 18 kg per hinge

Glass thickness: 6-10 mm

Material

Brass

1 hinge consists of

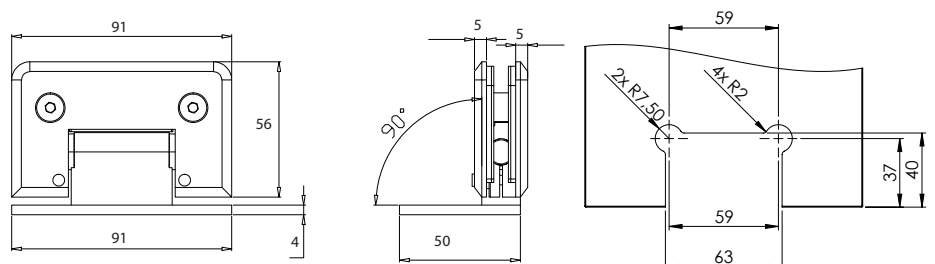
- 1 hinge 91 x 56 mm
- 1 mounting plate 4 x 91 x 50 mm
- 2 hex screws 4 mm
- 1 L-shaped 4 mm hex key
- 2 transparent cushions 1 mm thickness
- 2 transparent cushions 1,5 mm thickness
- 2 screws w/2,5 mm hex
- 1 L-shaped hex key 2,5 mm
- 3 wall plugs & 3 wall screws

Finish

- Chrome plated # 15.24.058-0
- Black matt # 15.24.058-4
- SS-look # 15.24.058-5
- Polished Brass # 15.24.058-8



EN 1935 APPROVED



SHOWER DOOR HINGE "CPH III" GLASS TO GLASS 180°

Application

Suitable for glass door/shower doors
Drilling/cutting required
W/15° angle adjustment function
W/25° return function (self-centering)

Opening: 180°

Max glass width: 800 mm

Load capacity: 18 kg per hinge

Glass thickness: 6-10 mm

Material

Brass

1 hinge consists of

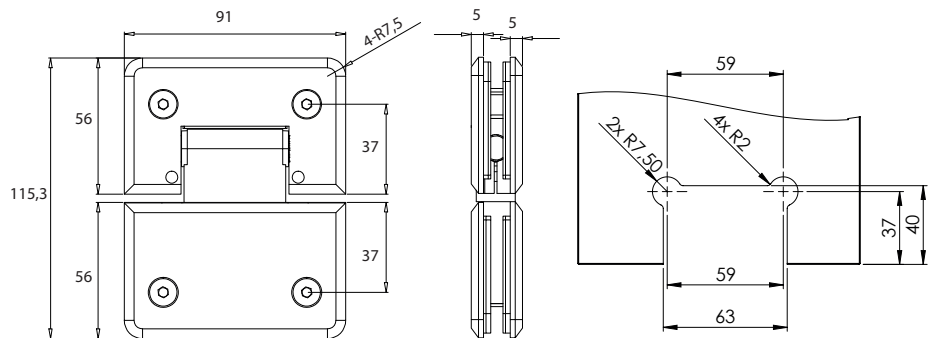
- 1 hinge 91 x 56 mm
- 1 glass wall fixing plate 90 x 55 mm
- 4 hex screws 4 mm
- 1 L-shaped 4 mm hex key
- 4 transparent cushions 1 mm thickness
- 4 transparent cushions 1,5 mm thickness
- 2 screws w/2,5 mm hex
- 1 L-shaped hex key 2,5 mm

Finish

- Chrome plated # 15.24.059-0
- Black matt # 15.24.059-4
- SS-look # 15.24.059-5
- Polished Brass # 15.24.059-8



EN 1935 APPROVED



SHOWER DOOR HINGE "CPH III" GLASS TO GLASS 90°

Application

Suitable for glass doors/shower doors
Drilling/cutting required
W/15° angle adjustment function
W/25° return function (self-centering)

Opening: 90°

Max glass width: 800 mm

Load capacity: 18 kg per hinge

Glass thickness: 6-10 mm

Material

Brass

1 hinge consists of

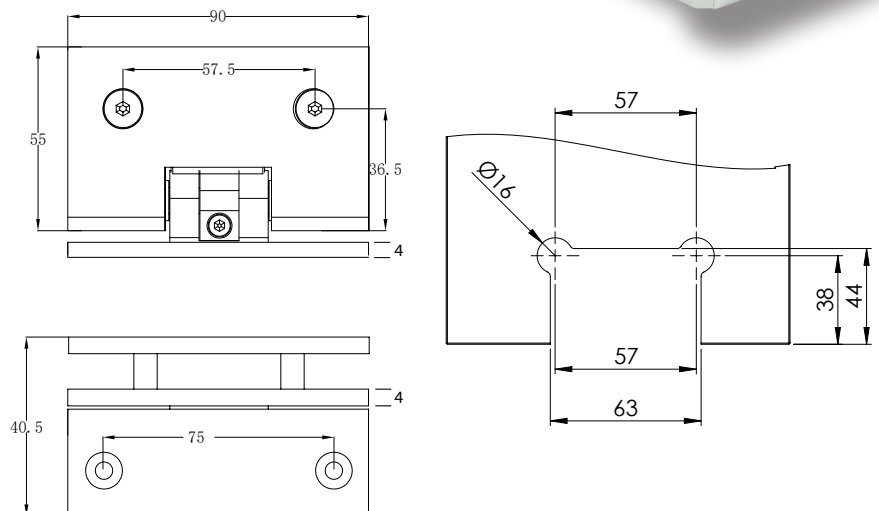
- 1 hinge 91 x 56 mm
- 1 glass wall fixing plate 90 x 55 mm
- 4 hex screws 4 mm
- 1 L-shaped 4 mm hex key
- 4 transparent cushions 1 mm thickness
- 4 transparent cushions 1,5 mm thickness
- 2 screws w/2,5 mm hex
- 1 L-shaped 2,5 mm hex key

Finish

- Chrome plated # 15.24.060-0
- Black matt # 15.24.060-4
- SS-look # 15.23.822
- Alu-look # 15.23.823
- Polished Brass # 15.24.060-8



EN 1935 APPROVED



SHOWER DOOR HINGE "CPH III" GLASS TO GLASS 135°

- high quality furniture fittings



Application

Suitable for glass doors/shower doors
Drilling/cutting required
W/15° angle adjustment function
W/25° return function (self-centering)

Opening: 135°

Max glass width: 800 mm

Load capacity: 18 kg per hinge

Glass thickness: 6 - 10 mm

Material

Brass

1 hinge consists of

- 1 hinge 91 x 56 mm
- 1 glass wall fixing plate 90 x 55 mm
- 4 hex screws 4 mm
- 1 L-shaped 4 mm hex key
- 4 transparent cushions 1 mm thickness
- 4 transparent cushions 1,5 mm thickness
- 2 screws w/2,5 mm hex
- 1 L-shaped 2,5 mm hex key

Finish

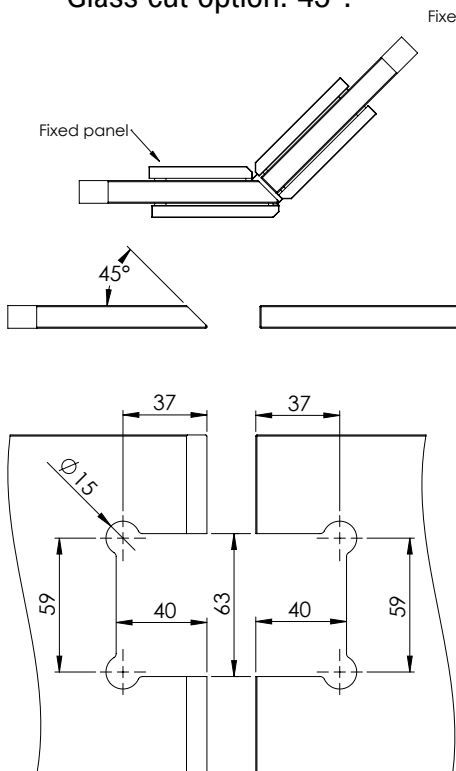
- Chrome plated # 15.24.061-0
- Black matt # 15.24.061-4
- SS-look # 15.23.808
- Alu-look # 15.23.809



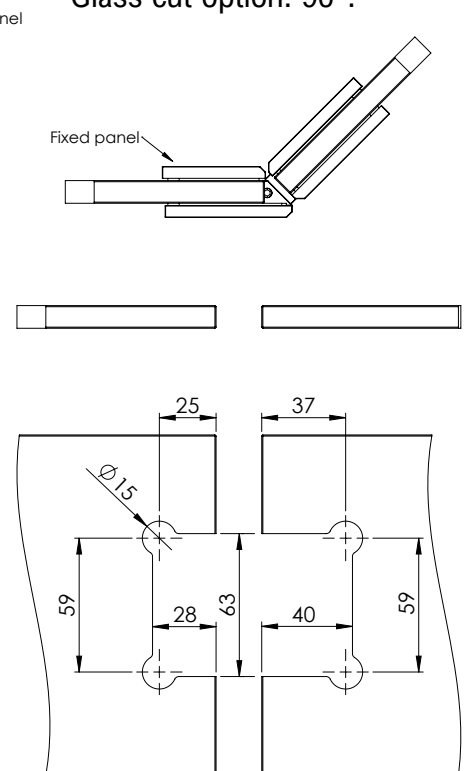
EN 1935 APPROVED



Glass cut option: 45°:



Glass cut option: 90°:



SHOWER DOOR HINGE "JUN" GLASS TO GLASS 180°

Application

Suitable for glass door
 Drilling/cutting required
 W/15° angle adjustment function
 W/25° return function (self-centering)

Opening: 180°

Load capacity: 14 kg per hinge

Glass thickness: 6 - 8 mm

Material

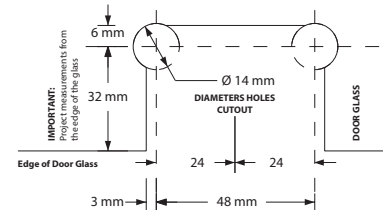
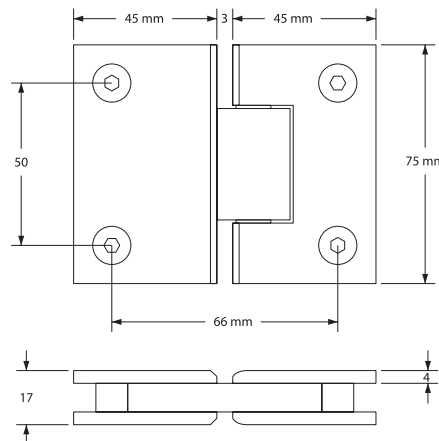
Brass

1 hinge consists of

- 1 hinge 75 x 45 mm
- 4 transparent cushions 1 mm thickness
- 4 transparent cushions 1,5 mm thickness
- 1 L-shaped hex key 4 mm

Finish

Chrome plated # 15.24.210



SHOWER DOOR HINGE "JUN" GLASS TO GLASS 135°

Application

Suitable for glass door
 Drilling/cutting required
 W/15° angle adjustment function
 W/25° return function (self-centering)

Opening: 135°

Load capacity: 14 kg per hinge

Glass thickness: 6 - 8 mm

Material

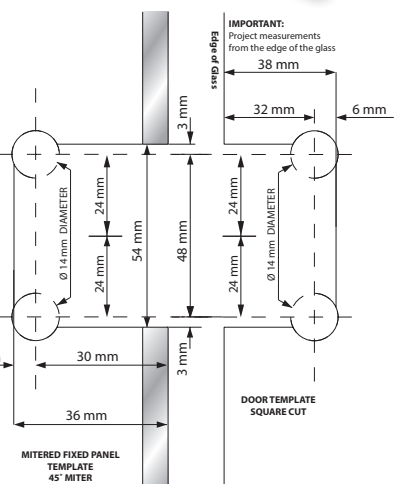
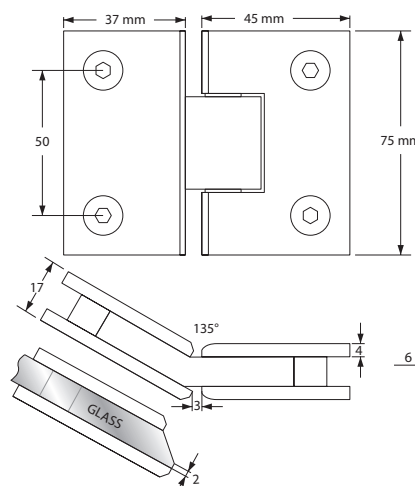
Brass

1 hinge consists of

- 1 hinge 75 x 45 mm & 75 x 37 mm
- 4 transparent cushions 1 mm thickness
- 4 transparent cushions 1,5 mm thickness
- 1 L-shaped hex key 4 mm

Finish

Chrome plated # 15.24.215



SHOWER DOOR HINGE "LINZ" W/OFF CENTRE - 2 HOLE MOUNTING PLATE

- high quality furniture fittings



Application

Suitable for glass door/shower doors
Drilling/cutting required
W/15° angle adjustment function
W/25° return function (self-centering)

Opening: 90°

Max glass width: 800 mm

Load capacity: 18 kg per hinge

Glass thickness: 6-10 mm

Material

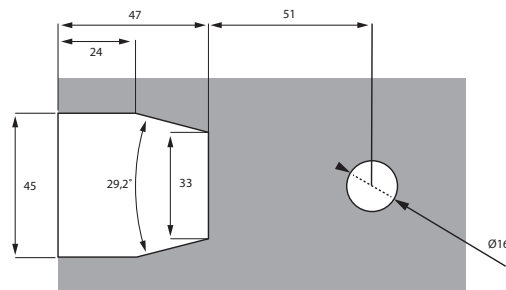
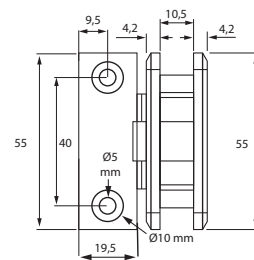
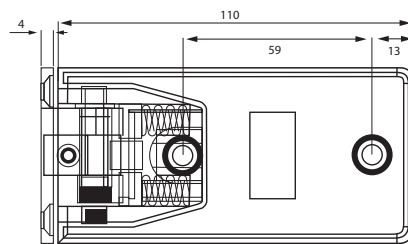
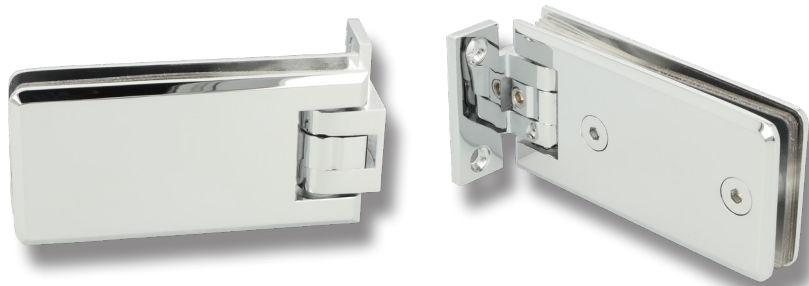
Brass

1 hinge consists of

- 1 hinge 55 x 110 mm
- 1 mounting plate 19,5 x 55 mm
- 2 fixing screws 4 mm hex
- 1 L-shaped 4 mm hex key
- 2 transparent cushions 1 mm thickness
- 2 transparent cushions 1,5 mm thickness
- 1 angle adjustment screws w/3 mm hex
- 1 L-shaped hex key 3 mm
- 2 wall plugs & 3 wall screws

Finish

- Chrome plated # 15.26.743-0
- Black matt # 15.26.743-4
- SS-Look # 15.26.743-5



SHOWER DOOR HINGE "LINZ" W/OFF CENTRE - 3 HOLE MOUNTING PLATE

Application

Suitable for glass door/shower doors
Drilling/cutting required
W/15° angle adjustment function
W/25° return function (self-centering)

Opening: 90°

Max glass width: 800 mm

Load capacity: 18 kg per hinge

Glass thickness: 6-10 mm

Material

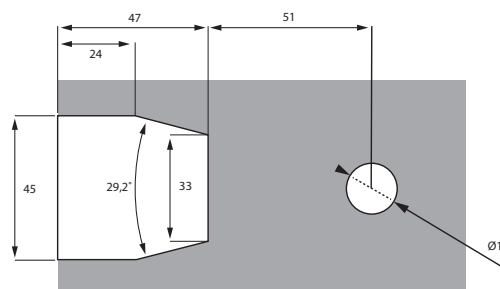
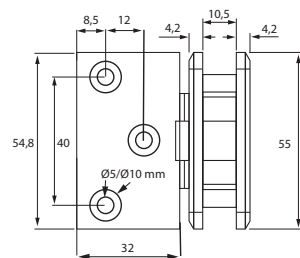
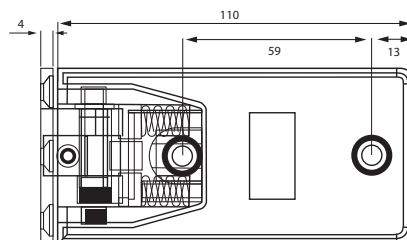
Brass

1 hinge consists of

- 1 hinge 55 x 110 mm
- 1 mounting plate 32 x 55 mm
- 2 fixing screws 4 mm hex
- 1 L-shaped 4 mm hex key
- 2 transparent cushions 1 mm thickness
- 2 transparent cushions 1,5 mm thickness
- 1 angle adjustment screws w/3 mm hex
- 1 L-shaped hex key 3 mm
- 3 wall plugs & 3 wall screws

Finish

- Chrome plated # 15.26.744-0
- Black matt # 15.26.744-4
- Steel Look # 15.26.744-5
- Brass polished # 15.26.744-8



SHOWER DOOR HINGE "LINZ" W/CENTRE MOUNTING PLATE

Application

Suitable for glass door/shower doors
Drilling/cutting required
W/15° angle adjustment function
W/25° return function (self-centering)

Opening: 90°

Max glass width: 800 mm

Load capacity: 18 kg per hinge

Glass thickness: 6-10 mm

Material

Brass

1 hinge consists of

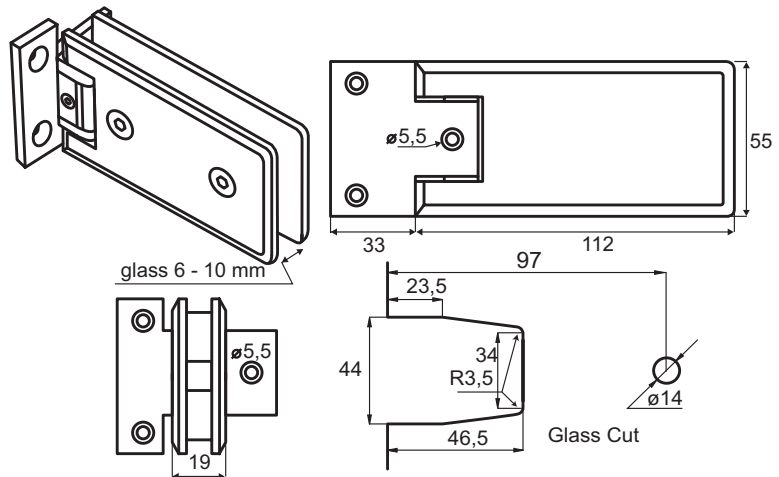
- 1 hinge 55 x 110 mm
- 1 mounting plate 61 x 55 mm
- 2 fixing screws 4 mm hex
- 1 L-shaped 4 mm hex key
- 2 transparent cushions 1 mm thickness
- 2 transparent cushions 1,5 mm thickness
- 1 angle adjustment screws w/3 mm hex
- 1 L-shaped hex key 3 mm
- 3 wall plugs & 3 wall screws

Finish

- Chrome plated # 15.23.740
- SS-look # 15.23.841
- Alu-look # 15.23.842



EN 1935 APPROVED



SHOWER DOOR HINGE "LINZ" GLASS TO GLASS 135°

Application

Suitable for glass doors/shower doors
Drilling/cutting required
W/15° angle adjustment function
W/25° return function (self-centering)

Opening: 135°

Max glass width: 800 mm

Load capacity: 18 kg per hinge

Glass thickness: 6 - 10 mm

Material

Brass

1 hinge consists of

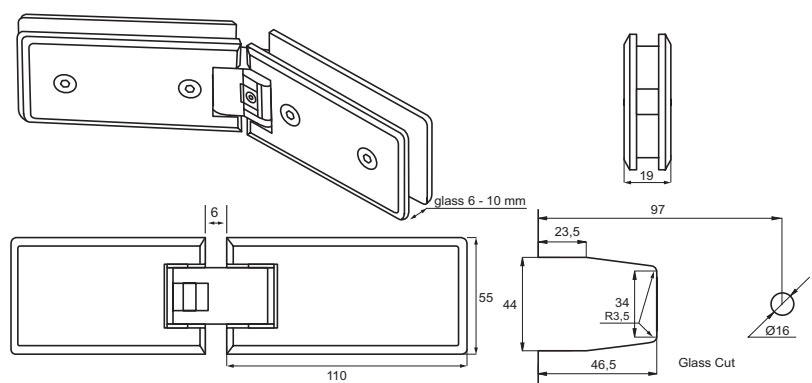
- 1 hinge 55 x 112 mm
- 1 glass wall fixing plate 55 x 110 mm
- 4 hex screws 4 mm
- 1 L-shaped 4 mm hex key
- 4 transparent cushions 1 mm thickness
- 4 transparent cushions 1,5 mm thickness
- 1 angle adjustment screw w/3mm hex
- 1 L-shaped 3 mm hex key
- 1 drilling/cutting template

Finish

- Chrome plated # 15.26.735-0
- Black matt # 15.26.735-4
- SS-look # 15.26.735-5
- Polished Brass # 15.26.735-8
- Alu-look # 15.23.852-0



EN 1935 APPROVED



SHOWER DOOR HINGE "LINZ" GLASS TO GLASS 90°

- high quality furniture fittings



Application

Suitable for glass doors/shower doors
Drilling/cutting required
W/15° angle adjustment function
W/25° return function (self-centering)

Opening: 180°

Max glass width: 800 mm

Load capacity: 18 kg per hinge

Glass thickness: 6 – 10 mm

Material

Brass

1 hinge consists of

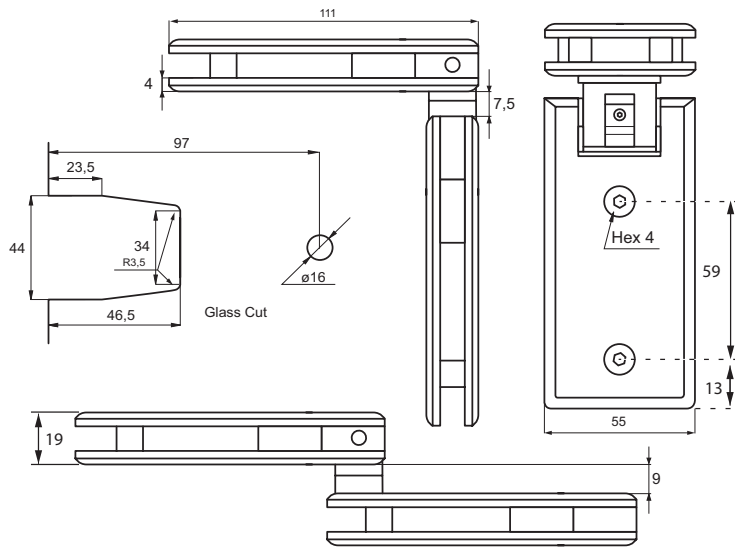
- 1 hinge 55 x 111 mm
- 1 glass wall fixing plate 55 x 111 mm
- 4 hex screws 4 mm
- 1 L-shaped 4 mm hex key
- 4 transparent cushions 1 mm
- 4 transparent cushions 1,5 mm
- 1 angle adjustment screw w/4 mm hex

Finish

Chrome plated	# 15.23.738-0
Black matt	# 15.23.738-4
SS-look	# 15.23.739-0
Alu-look	# 15.23.862-0
Polished Brass	# 15.26.738-8



EN 1935 APPROVED



SHOWER DOOR HINGE "LINZ" GLASS TO GLASS 180°

Application

Suitable for glass doors/shower doors
Drilling/cutting required
W/15° angle adjustment function
W/25° return function (self-centering)

Opening: 180°

Max glass width: 800 mm

Load capacity: 18 kg per hinge

Glass thickness: 6 - 10 mm

Material

Brass

1 hinge consists of

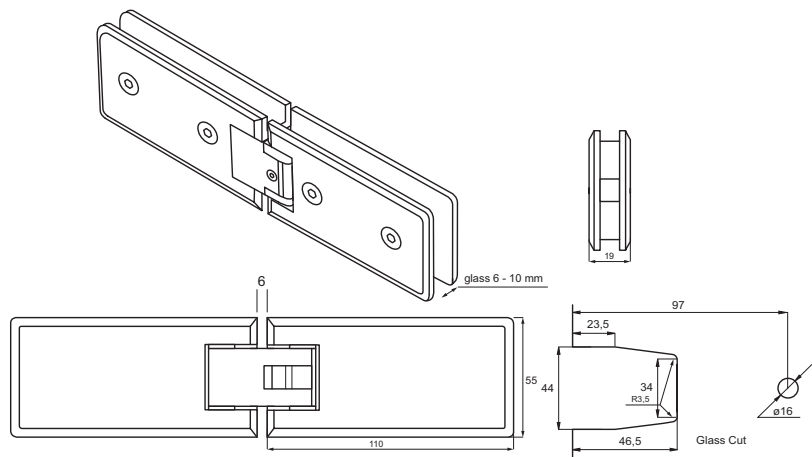
- 1 hinge 55 x 110 mm
- 1 glass wall fixing plate 55 x 110 mm
- 4 hex screws 4 mm
- 1 L-shaped 4 mm hex key
- 4 transparent cushions 1 mm thickness
- 4 transparent cushions 1,5 mm thickness
- 1 angle adjustment screw w/3mm hex
- 1 L-shaped 3 mm hex key

Finish

Chrome plated	# 15.26.747-0
Black matt	# 15.26.747-4
SS-look	# 15.26.747-5
Brushed Brass	# 15.26.747-7
Polished Brass	# 15.26.747-8
Alu-look	# 15.23.749-0



EN 1935 APPROVED



SHOWER DOOR HINGE "KING" W/OFF CENTRE MOUNTING PLATE

Application

Suitable for glass doors/shower doors
Drilling/cutting required
WW/15° angle adjustment function
W/25° return function (self-centering)

Opening: 90°

Max glass width: 800 mm

Load capacity: 18 kg per hinge

Glass thickness: 6 - 10 mm

Material

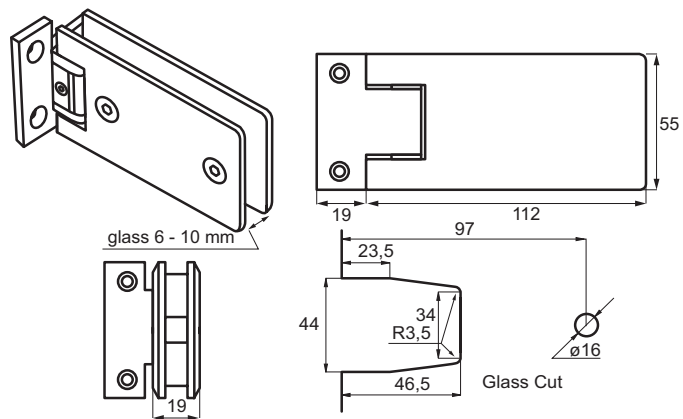
Brass

1 hinge consists of

- 1 hinge 55 x 112 mm
- 1 mounting plate 19 x 55 mm
- 2 fixing screws 4 mm hex
- 1 L-shaped 4 mm hex key
- 2 transparent cushions 1 mm thickness
- 2 transparent cushions 1,5 mm thickness
- 1 angle adjustment screw w/3 mm hex
- 1 L-shaped 3 mm hex key
- 2 wall plugs & 2 wall screws

Finish

- Chrome plated # 15.24.130
- SS-look # 15.24.131



SHOWER DOOR HINGE "KING" GLASS TO GLASS 180°

Application

Suitable for glass doors/shower doors
Drilling/cutting required
W/15° angle adjustment function
W/25° return function (self-centering)

Opening: 180°

Max glass width: 800 mm

Load capacity: 18 kg per hinge

Glass thickness: 6 - 10 mm

Material

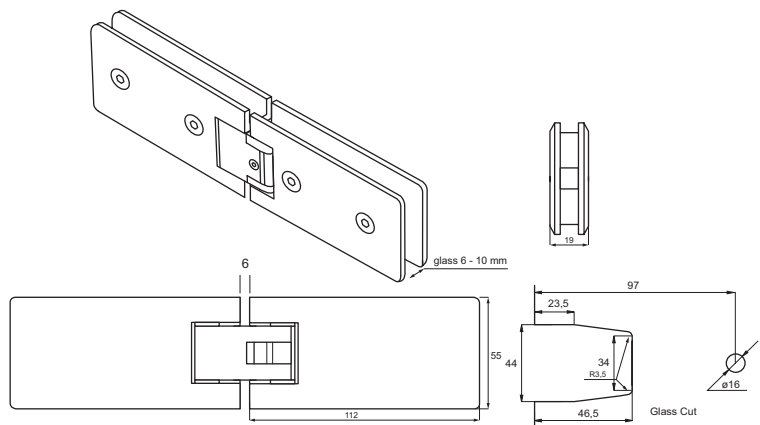
Brass

1 hinge consists of

- 1 hinge 55 x 112 mm
- 1 glass wall fixing plate 55 x 112 mm
- 4 hex screws 4 mm
- 1 L-shaped 4 mm hex key
- 4 transparent cushions 1 mm thickness
- 4 transparent cushions 1,5 mm thickness
- 1 angle adjustment screw w/3mm hex
- 1 L-shaped 3 mm hex key

Finish

- Chrome plated # 15.24.135
- SS-look # 15.24.136



SHOWER DOOR HINGE "TURKU" W/OFF CENTRE MOUNTING PLATE

- high quality furniture fittings



Application

Suitable for glass doors/shower doors
Drilling/cutting required
W/15° angle adjustment function
W/25° return function (self-centering)

Opening: 90°

Max glass width: 800 mm

Load capacity: 18 kg per hinge

Glass thickness: 6 - 10 mm

Material

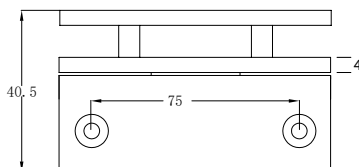
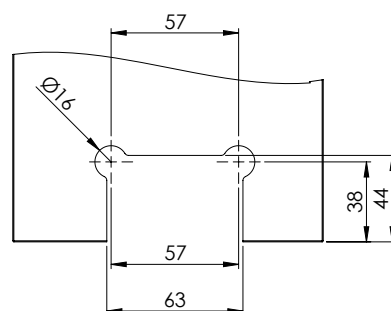
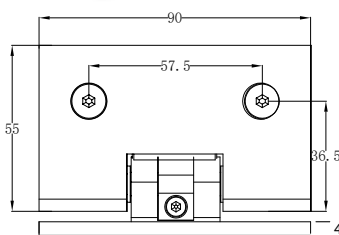
Brass

1 hinge consists of

- 1 hinge 90 x 55 mm
- 1 glass wall fixing plate 90 x 40 mm
- 2 hex screws 4 mm
- 1 L-shaped 4 mm hex key
- 2 transparent cushions 1 mm thickness
- 4 transparent cushions 1,5 mm thickness
- 1 screws w/4 mm hex
- 2 wall plugs & 2 wall screws

Finish

- Chrome plated # 15.24.224
- SS-look # 15.24.225



SHOWER DOOR HINGE "TURKU" GLASS TO GLASS 180°

Application

Suitable for glass doors/shower doors
Drilling/cutting required
W/15° angle adjustment function
W/25° return function (self-centering)

Opening: 180°

Max glass width: 800 mm

Load capacity: 18 kg per hinge

Glass thickness: 6 - 10 mm

Material

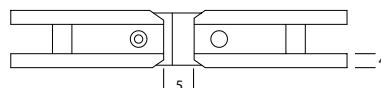
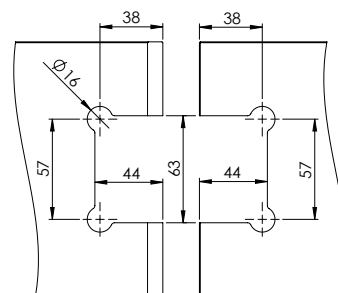
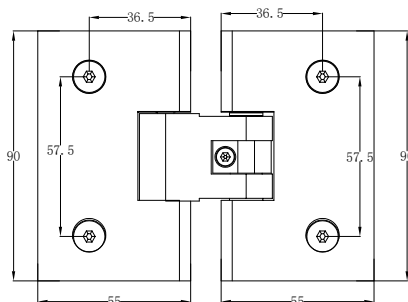
Brass

1 hinge consists of

- 1 hinge 90 x 55 mm
- 1 glass wall fixing plate 90 x 55 mm
- 4 hex screws 4 mm
- 1 L-shaped 4 mm hex key
- 4 transparent cushions 1 mm thickness
- 8 transparent cushions 1,5 mm thickness
- 1 screws w/4 mm hex

Finish

- Chrome plated # 15.24.231



SHOWER DOOR HINGE "ZUG" W/OFF CENTRE MOUNTING PLATE

Application

Suitable for glass door/shower doors
Drilling/cutting required
W/15° angle adjustment function
W/25° return function (self-centering)

Opening: 90°

Max glass width: 800 mm

Load capacity: 18 kg per hinge

Glass thickness: 6-10 mm

Material

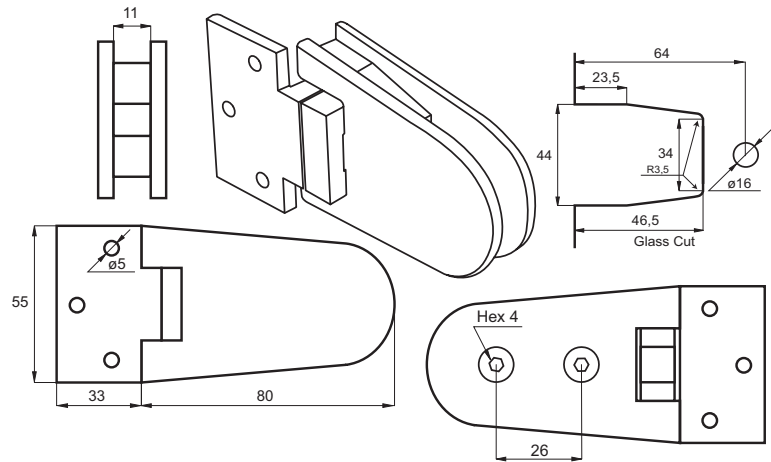
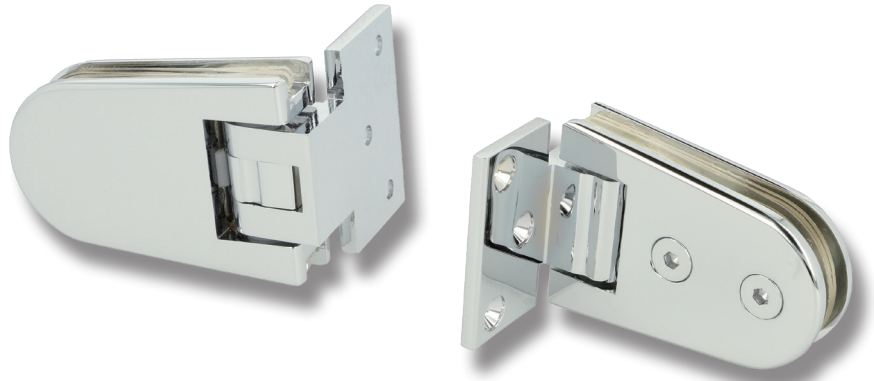
Brass

1 hinge consists of

- 1 hinge 55 x 80 mm
- 1 mounting plate 33 x 55 mm
- 2 fixing screws 4 mm hex
- 1 L-shaped 4 mm hex key
- 2 transparent cushions 1 mm thickness
- 2 transparent cushions 1,5 mm thickness
- 1 L-shaped hex key 3 mm
- 3 wall plugs & 3 wall screws

Finish

Chrome plated # 15.23.010-9



SHOWER DOOR HINGE "ZUG" GLASS TO GLASS - 90°

Application

Suitable for glass doors/shower doors
Drilling/cutting required
W/15° angle adjustment function
W/25° return function (self-centering)

Opening: 180°

Max glass width: 800 mm

Load capacity: 18 kg per hinge

Glass thickness: 6 – 10 mm

Material

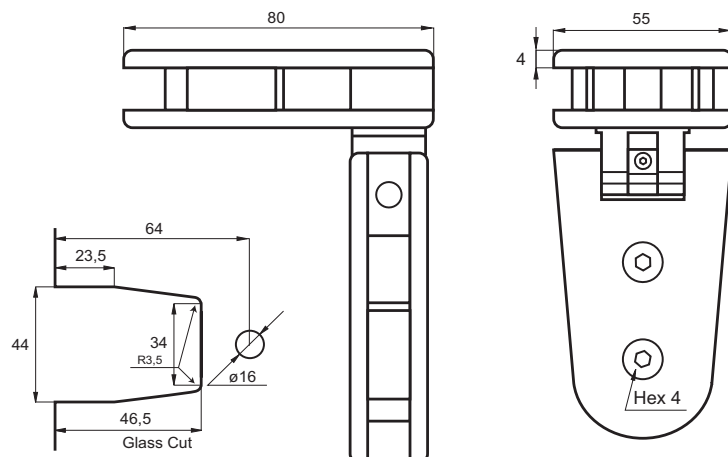
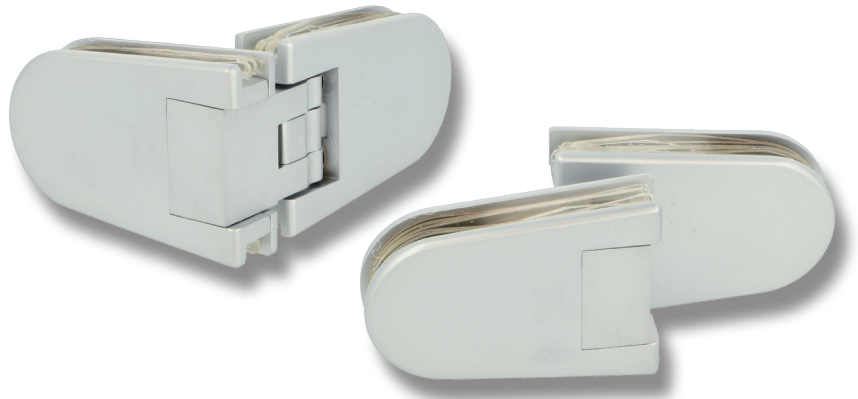
Brass

1 hinge consists of

- 1 hinge 55 x 80 mm
- 1 glass wall fixing plate 55 x 80 mm
- 4 hex screws 4 mm
- 1 L-shaped 4 mm hex key
- 4 transparent cushions 1 mm
- 4 transparent cushions 1,5 mm
- 1 angle adjustment screw w/4 mm hex

Finish

Alu-look # 15.23.017



SHOWER DOOR HINGE "ZUG"

GLASS TO GLASS - 180°

- high quality furniture fittings



Application

Suitable for glass doors/shower doors
 Drilling/cutting required
 W/15° angle adjustment function
 W/25° return function (self-centering)

Opening: 180°

Max glass width: 800 mm

Load capacity: 18 kg per hinge

Glass thickness: 6 – 10 mm

Material

Brass

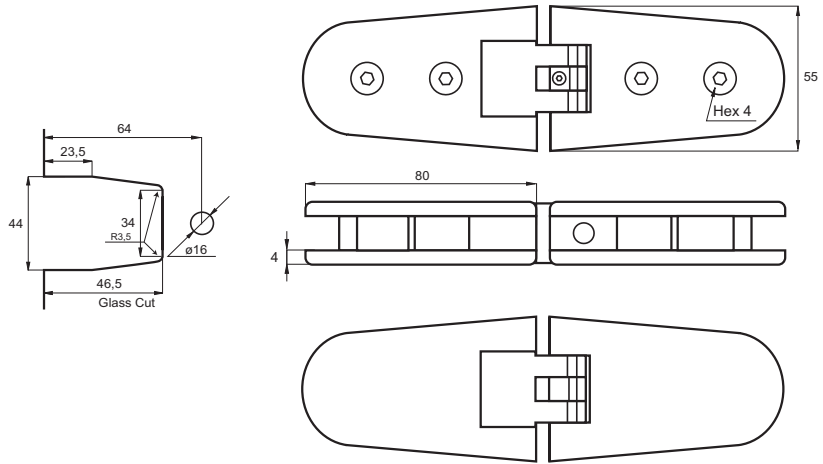
1 hinge consists of

- 1 hinge 55 x 80 mm
- 1 glass wall fixing plate 55 x 80 mm
- 4 hex screws 4 mm
- 1 L-shaped 4 m hex key
- 4 transparent cushions 1 mm
- 4 transparent cushions 1,5 mm
- 1 angle adjustment screw w/4 mm hex

Finish

Alu-look

15.23.022



SISOSIL GASKETS FOR SHOWER DOOR HINGES - EASY MOUNTING

Application

To be used as gaskets for shower hinges.

Function

Anti-stick finish on both sides which makes mounting & adjustment of hinges easy.
 Excellent resistance to low pressure steam & water
 Excellent color resistance

Material

Aramid & glass fibres with a nitrile rubber binder.
 Meets non-asbestos standard BS7531 Grade Y
 Blue color

Model LINZ & KING

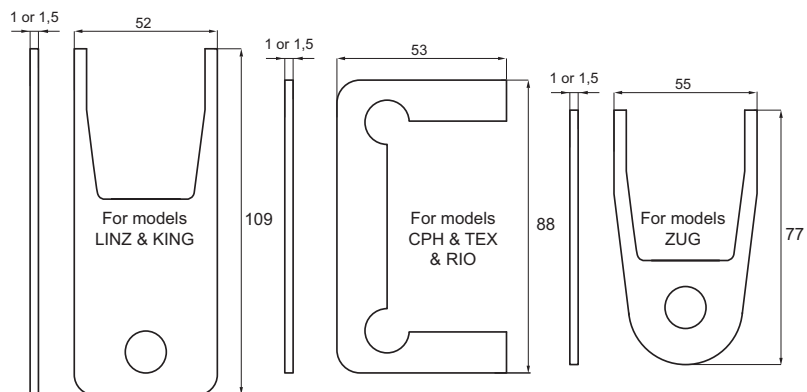
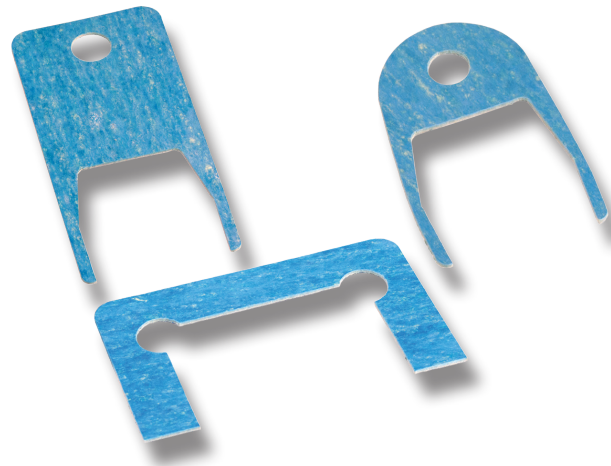
Size: 102 x 57 mm
 1 mm # 15.22.411
 1,5 mm # 15.22.412

Model CPH & TEX & RIO

Size: 88 x 53 mm
 1 mm # 15.22.413
 1,5 mm # 15.22.414

Model ZUG

Size: 77 x 50 mm
 1 mm # 15.22.415
 1,5 mm # 15.22.416



SHOWER PIVOT HINGE FLOOR/GLASS "LODZ II"

Application
 Suitable for glass door/shower doors
 Top or bottom mounting,
 drilling/cutting required
 W/15° return function (self-centering)
 With adjustable base

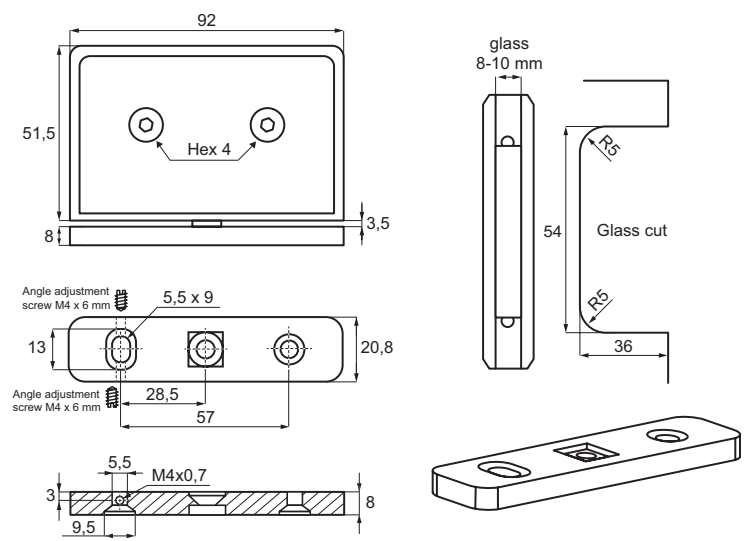
Opening: 180°
Max glass width: 800 mm
Load capacity: 20 kg per hinge
Glass thickness: 8-10 mm

Material
 Brass

1 hinge consists of
 1 hinge 51,5 x 92 x 21 mm (H/W/D)
 2 hex screws 4 mm
 1 L-shaped 4 mm hex key
 2 transparent cushions 1 mm thickness
 2 transparent cushions 1,5 mm thickness
 2 wall plugs
 2 wall screws

Finish

Chrome plated	# 15.23.945-0
Black matt	# 15.23.946-0
SS-look	# 15.23.944-0
Alu-look	# 15.23.945-7



SHOWER PIVOT HINGE GLASS/GLASS "LODZ"

Application
 Suitable for glass door/shower doors
 Drilling/cutting required
 W/15° return function (self-centering)

Features

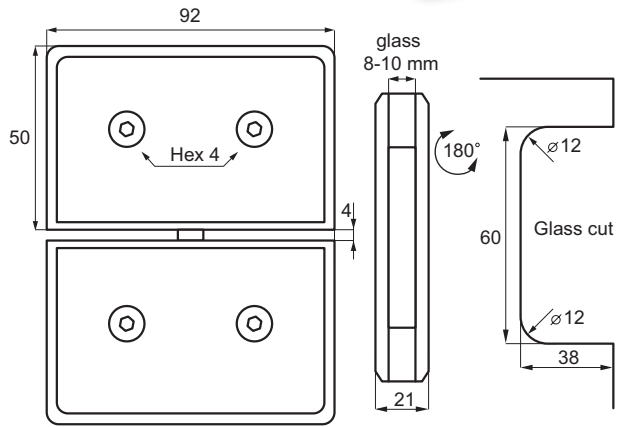
Opening: 180°
Max glass width: 800 mm
Load capacity: 20 kg per hinge
Glass thickness: 8 - 10 mm

Material
 Brass

1 hinge consists of
 1 hinge 50 x 92 x 21 mm (H/W/D)
 4 hex screws 4 mm
 1 L-shaped 4 mm hex key
 4 transparent cushions 1 mm thickness
 4 transparent cushions 1,5 mm thickness

Finish

SS-look	# 15.23.905
Alu-look	# 15.23.906
Chrome plated	# 15.23.907



GLASS DOOR HINGE "RIGA"

- high quality furniture fittings



Description:

Glass door aluminium hinge, wall/glass for 6-10mm glass, without cover plates (to be ordered seperately).

Load capacity: 36 kg pr. pair.

Finish:

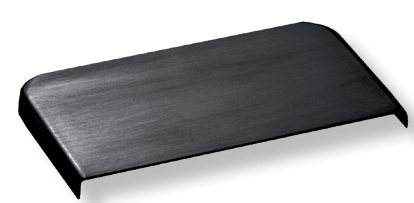
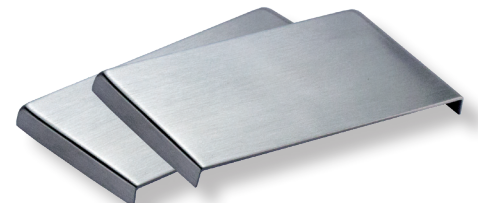
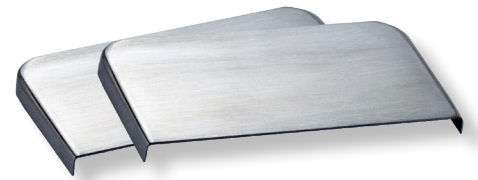
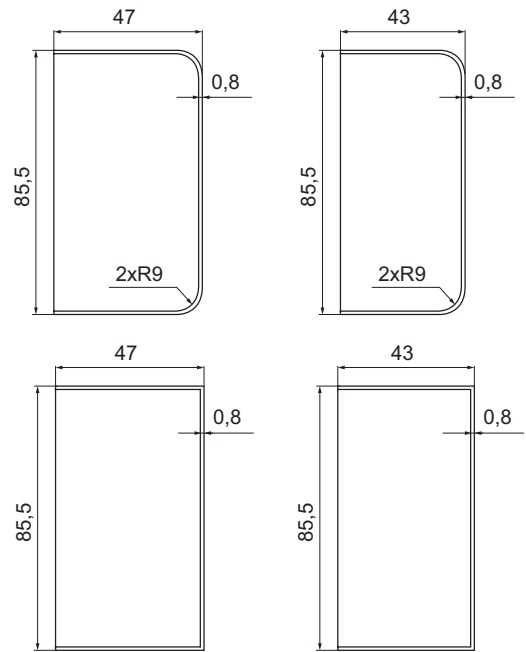
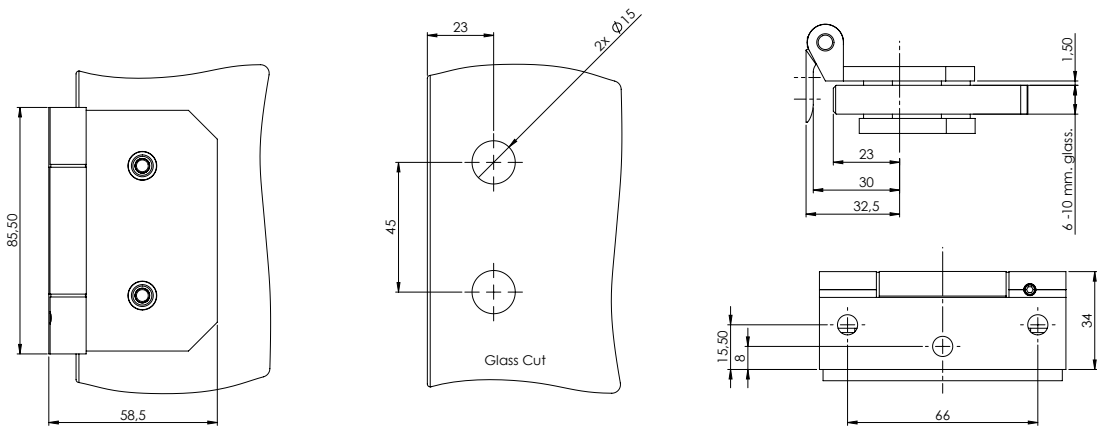
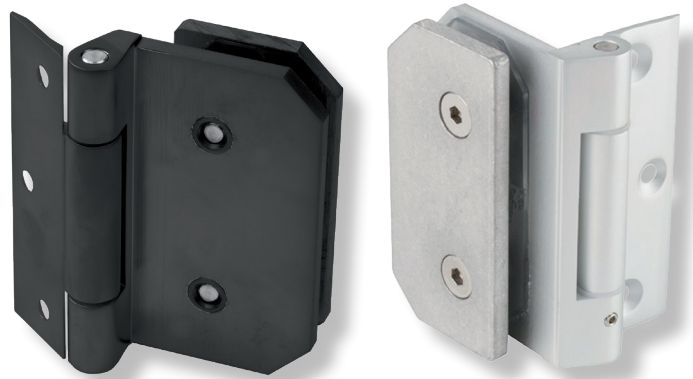
SS-look or Alu-look

Item No:

- Glass door hinge Alu-look # 15.30.002-3
- Glass door hinge SS-look # 15.30.002-9
- Glass door hinge Black matt # 15.30.002-5

Seperate cover caps SS-304 (set with 2 pcs):

- Cover Caps, Round, Alu-look # 15.30.003-0
- Cover Caps, Square, Alu-look # 15.30.004-0
- Cover Caps, Round, SS-look # 15.30.005-0
- Cover Caps, Square, SS-look # 15.30.006-0
- Cover caps, Round, Black matt # 15.30.003-5
- Cover caps, Square, Black matt # 15.30.004-5



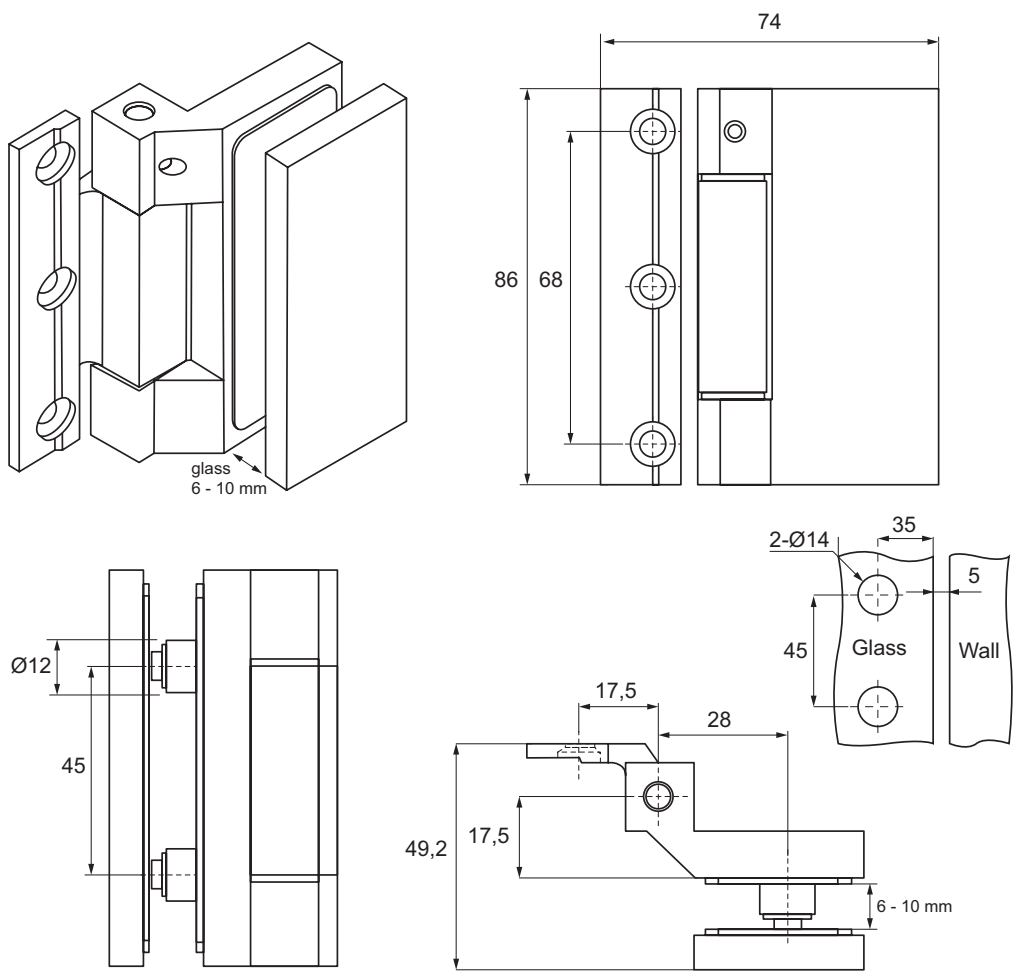
EN 1935 APPROVED

GLASS DOOR HINGE "KIEV" W/CLICK-ON COVER PLATES

Application:
Suitable for glass doors/shower doors
Drilling/cutting required. For wall/glass installation
Supplied with matching "click-on" cover caps

Material: Aluminum
Opening: 180°
Glass thickness: 6 - 10 mm
Load capacity: 36 kg. pr. pair.

Item No.:
Alu-Look # 15.30.050
Black matt # 15.30.051
SS-Look # 15.30.052



GLASS DOOR HINGE "GRAZ"

- high quality furniture fittings



Description:

Glass door aluminium hinge, wall/glass for 6 - 10 mm glass.

Without cover plates (to be bought seperately)

Load capacity: 36 kg pr. pair

Item No:

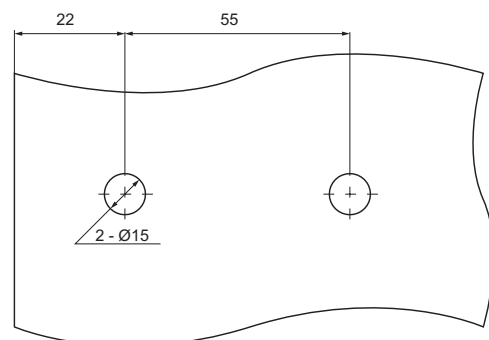
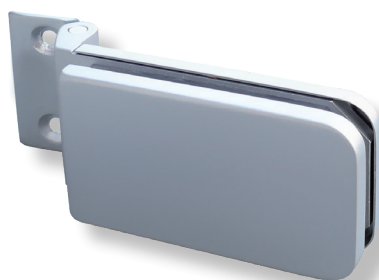
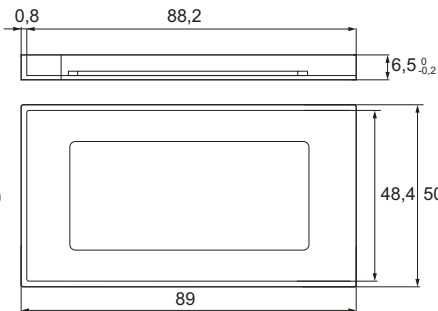
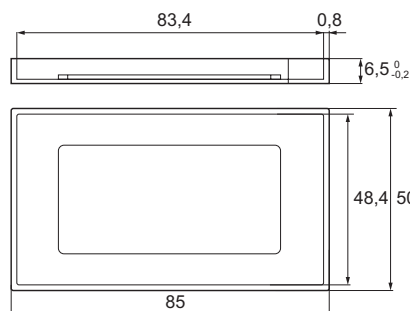
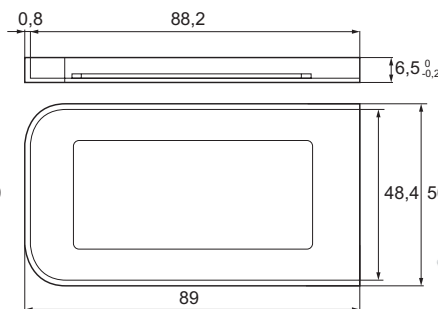
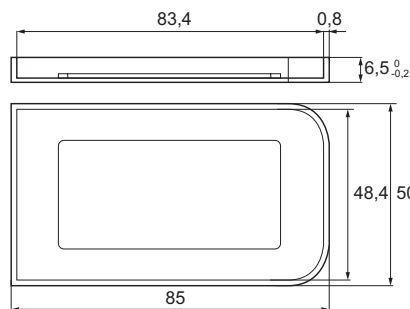
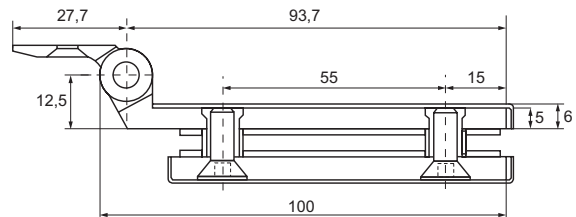
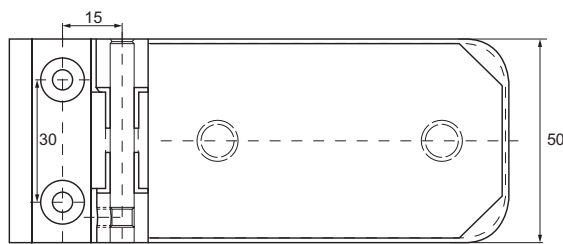
Glass door hinge SS-look # 15.30.010
 Glass door hinge Alu-look # 15.30.012

Separate cover plates SS-304 (set with 2 pieces):

Cover caps, Round, SS-look # 15.30.013
 Cover caps, Square, SS-look # 15.30.014
 Cover caps, Round, Alu-look # 15.30.017
 Cover caps, Square, Alu-look # 15.30.018



EN 1935 APPROVED



GLASS DOOR HINGE "PRAHA"

Application:

Can be used for left & right hand doors
For inlay doors
For public & private usage

Opening: 180°

Load Capacity: 45 kg. pr. hinge

Glass thickness: 8 - 10 mm glass

Max glass width: 1000 mm

Drilling: ø 16 mm

Finish: SS-look or Alu anodized

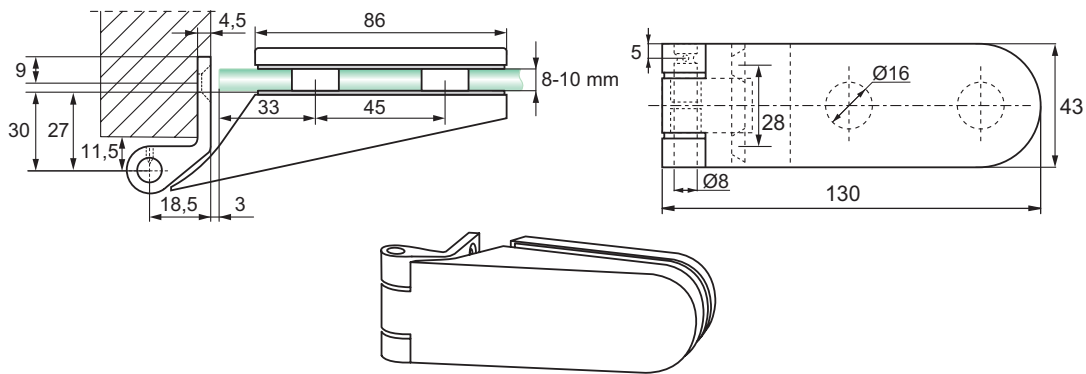
One hinge consist of

- 1 aluminum mounting plate 43 x 30 mm
- 1 aluminum hinge body 130 x 43 mm
- 1 aluminum back plate 84 x 40 mm
- 1 stainless steel cover plate w/adhesive tape

Item No.:

Alu anodized

15.25.090



GLASS DOOR HINGE "BONN"

Application:

Can be used for left & right hand doors

Opening: 180°

Load Capacity: 45 kg pr. hinge

Glass thickness: 8 - 10 mm

Max glass width: 1000 mm

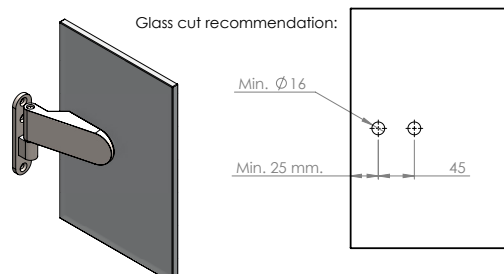
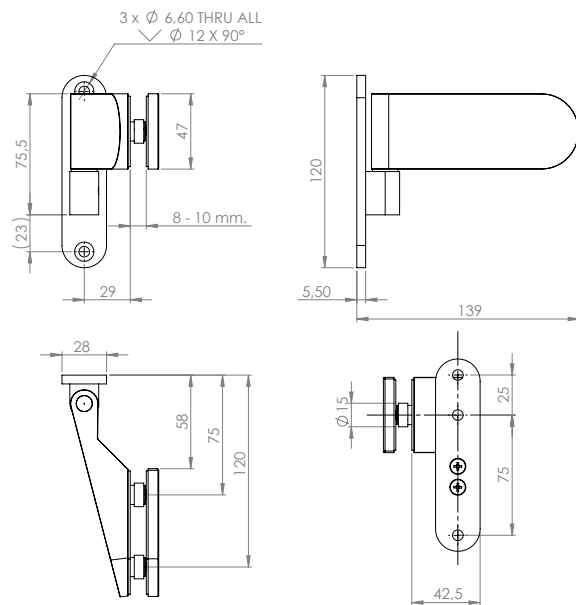
Drilling: Ø12 mm

One hinge consists of

- 1 aluminium mounting plate 28 x 124 mm w/3 CSK screws holes Ø6,5 mm
- 1 aluminium hinge body 43 x 130 mm
- 1 aluminium back cover plate 42 x 85 mm
- 4 gaskets in 1 mm thickness
- 3 stainless steel wall mounting screws M6 x 30 mm
- 3 steel expansion wall plugs Ø8 x 24 mm.

Item No.

#15.25.035



SHOWER HINGE "JARO" UP/DOWN FOR WALL/GLASS

- high quality furniture fittings



Application

Suitable for shower doors
With lift up/down function
Drilling required

Features

Left or right hand version
Wall to glass
W/self closing function

Opening: 180° but with stop at 90°

Max glass width: 800 mm

Glass thickness: 6 - 8 mm

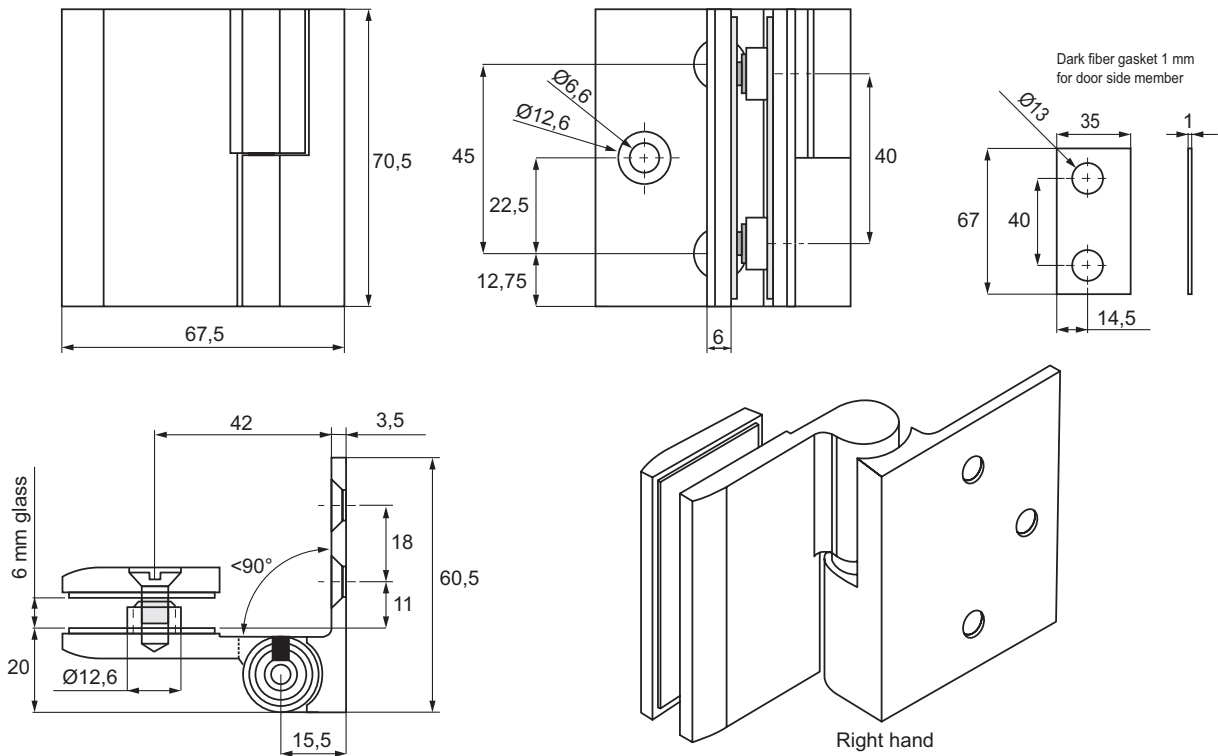
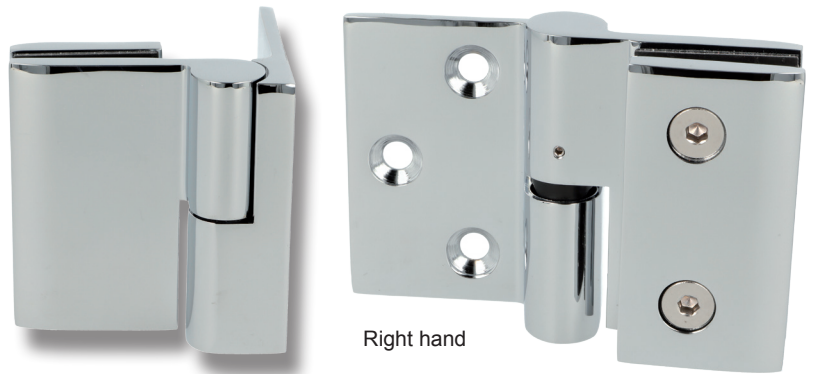
Load capacity: 20 kg

Material:

Brass, chrome plated

Item No.:

Chrome Pl. - Right hand	# 15.23.110-0
Black Matt- Right hand	# 15.23.110-4
SS Look - Right hand	# 15.23.110-5
Chrome Pl. - Left hand	# 15.23.115-0
Black Matt - Left hand	# 15.23.115-4
SS Look - Left hand	# 15.23.115-5



SHOWER HINGE "JARO" UP/DOWN FOR GLASS/GLASS

Application
 Suitable for shower doors
 With lift up/down function
 Drilling required

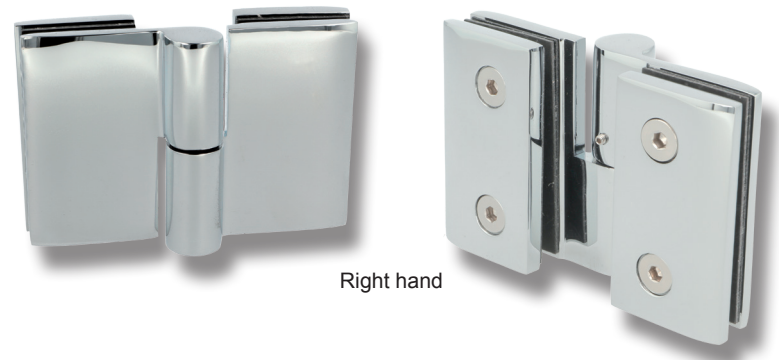
Features
 Left or right hand version
 Glass to glass
 W/self closing function

Opening: 180° but with stop at 90°
Max glass width: 800 mm
Glass thickness: 6 - 8 mm
Load capacity: 20 kg

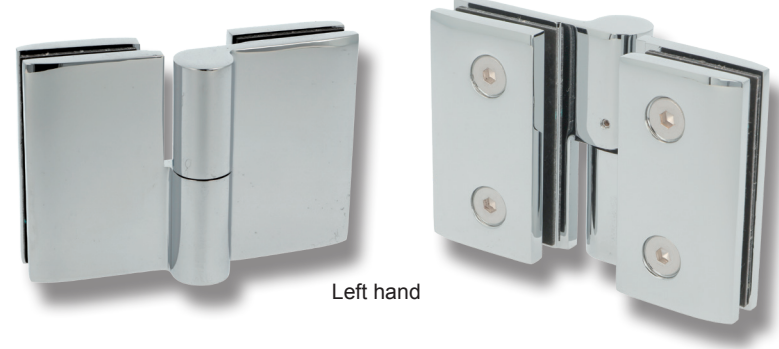
Material:
 Brass, chrome plated

Item No.:

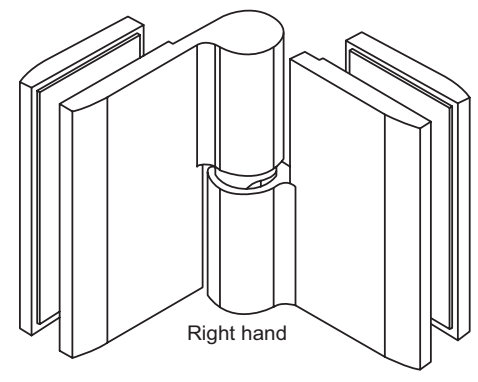
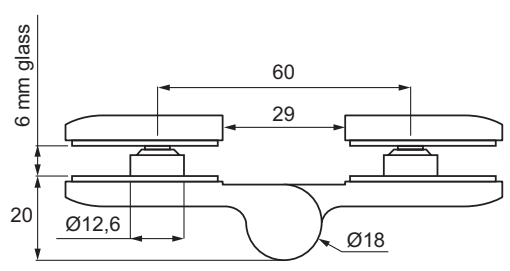
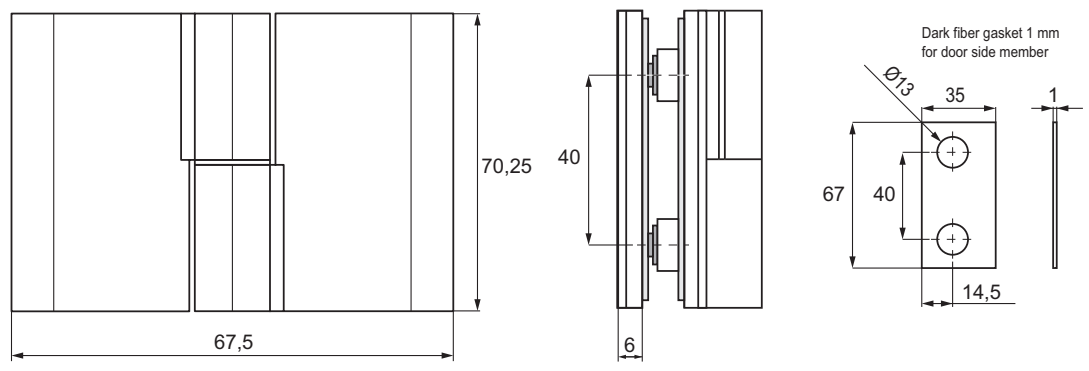
Chrome Pl. - Right hand	# 15.23.120-0
Black Matt- Right hand	# 15.23.120-4
SS Look - Right hand	# 15.23.120-5
Chrome Pl. - Left hand	# 15.23.125-0
Black Matt - Left hand	# 15.23.125-4
SS Look - Left hand	# 15.23.125-5



Right hand



Left hand



Right hand

SHOWER HINGE "UP/DOWN" FOR GLASS/GLASS

- high quality furniture fittings



Application

Suitable for shower doors
Drilling required

Features

Left or right hand version
W/self closing function

Opening: 180 degree but with stop at 90°

Max glass width: 800 mm

Glass thickness: 6 - 8 mm

Load capacity: 20 kg

Material

Brass

1 hinge consists of

1 hinge 70 x 92 mm (H/W)

4 fixing screws 4 mm hex

1 L-shaped hex key 4 mm

1 L-shaped hex key 2 mm

Finish

Left hand - Chrome plated # 15.23.100

Left hand - SS-look # 15.23.101

Left hand - Alu-look # 15.23.102

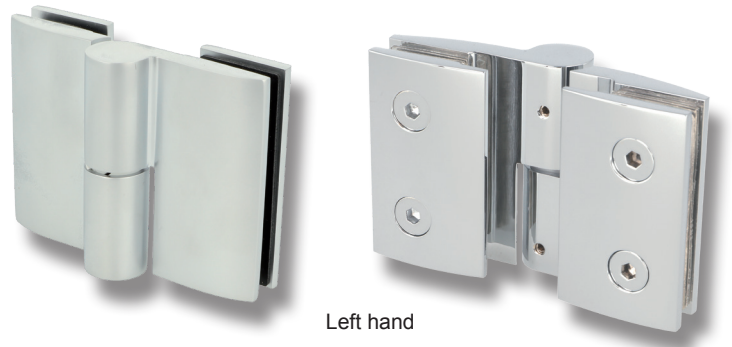
Right hand - Chrome plated # 15.23.105

Right hand - SS-look # 15.23.106

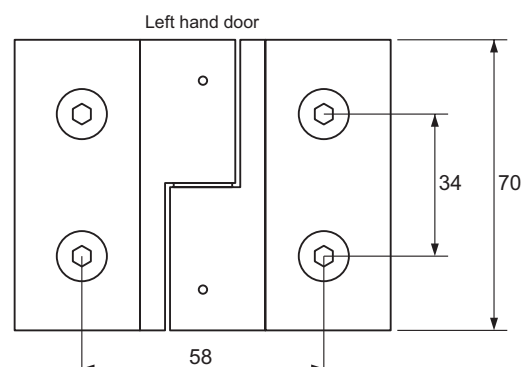
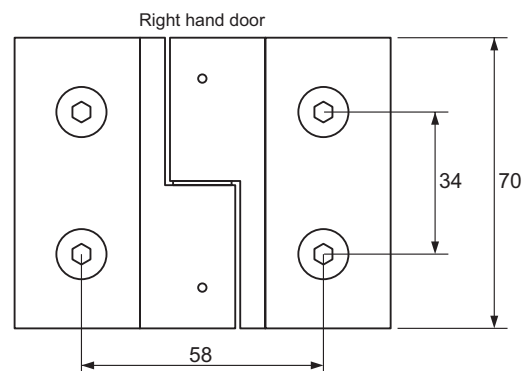
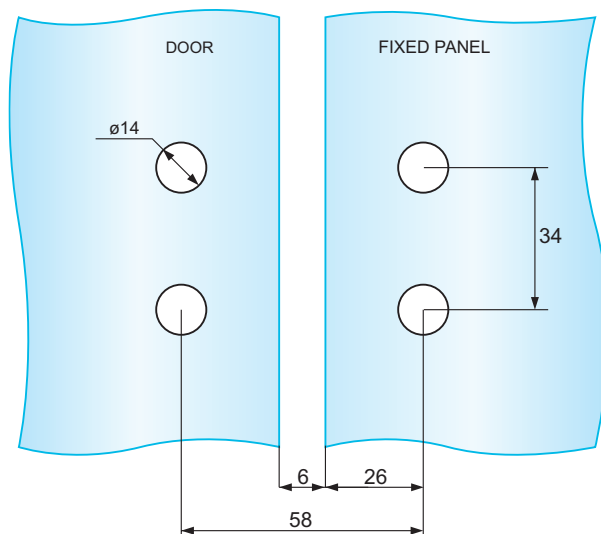
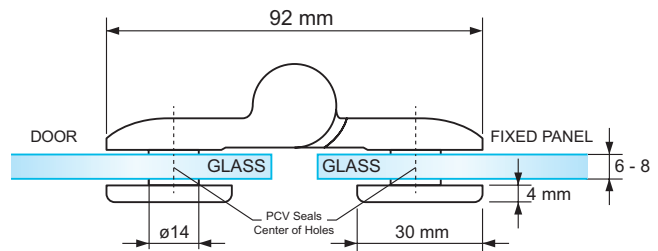
Right hand - Alu-look # 15.23.107



Right hand



Left hand



ALUMINIUM LIFT HINGE

Application

Suitable for shower doors
With 3 mm lift-up & 0° adjustment
function

Opening: 110°

Max glass size: 2100 x 800 mm

Load capacity: 23 kg

Glass thickness: 6 mm

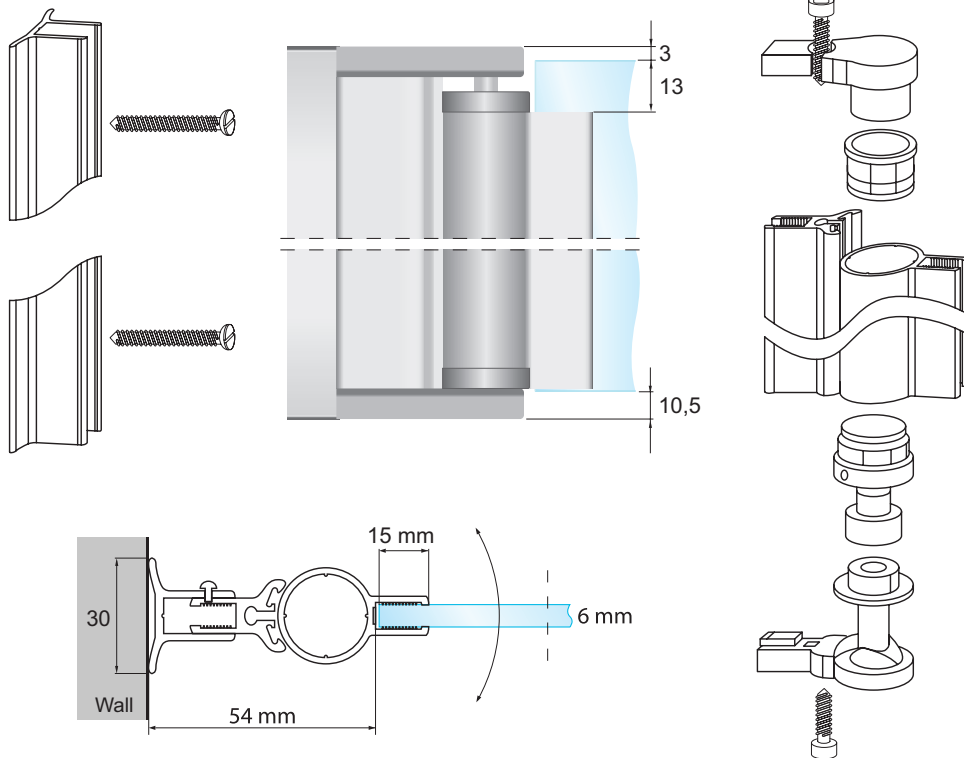
Material

Aluminium

Models	Finish	Item No.:
1,9 meters	Anodized	# 15.23.000-1
1,9 meters	Black matt	# 15.23.000-3
1,9 meters	Chrome Pl.	# 15.23.001-1
2,1 meters	Anodized	# 15.23.001-4
2,1 meters	Black matt	# 15.23.001-5
2,1 meters	Chrome Pl.	# 15.23.001-8

Packing

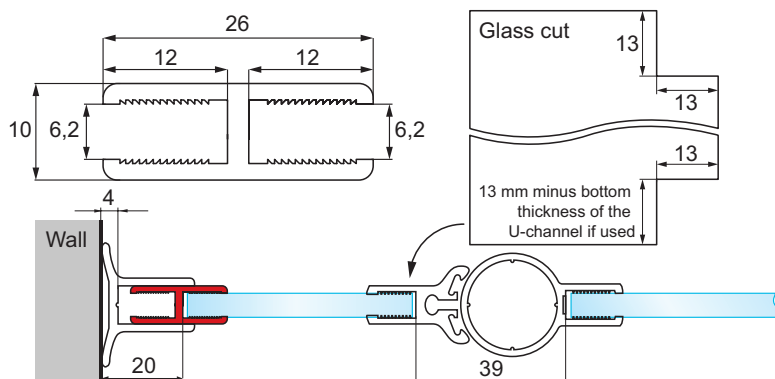
1 complete assembled set per carton



H-PROFILE FOR WALL - GLASS - GLASS CONSTRUCTION

Glass cutting on the hinge side of the construction is needed

Item No.:
1,9 meters chrome pl. # 15.23.004



ALUMINIUM LIFT HINGE "SQUARE"

- high quality furniture fittings

Application

Suitable for shower doors.
With 3 mm lift-up & 0° adjustment
function

Opening: 110 degree

Max glass size: 2100 x 800 mm

Load capacity: 23 kg

Glass thickness: 6 mm

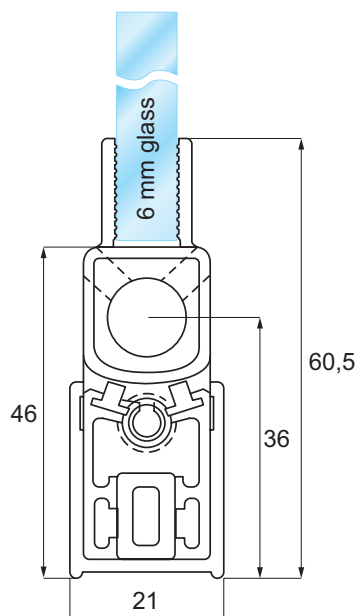
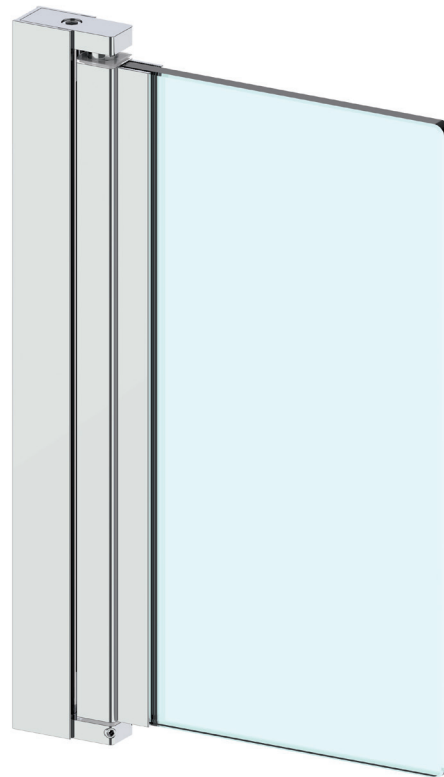
Material:

Aluminium

Models	Finish	Item No.:
1,9 meters	Anodized	# 15.22.990
1,9 meters	Chrome pl.	# 15.22.991
1,9 meters	Black matt	# 15.22.992
2,1 meters	Anodized	# 15.22.995
2,1 meters	Chrome pl.	# 15.22.996
2,1 meters	Black matt	# 15.22.997

Packing

1 complete assembled set per carton



SAUNA HINGE "SLOVAKIA" F/GLASS DOORS W/MOUNTING PLATE

Opening: 180°.

Load capacity: 20 kg per hinge.

Glass thickness: 6-8 mm.

Max glass width: 700 mm.

One hinge consists of:

1 zamak mounting plate 15 x 84 mm.

3 CSK screw holes \varnothing 5 mm. c/c 70 mm.

1 zamak hinge body 60 x 55 mm.

1 stainless steel connecting pin.

2 plastic bushings.

1 stainless steel tightening screw

M8 x 20 mm.

1 transparent height adjustment

washer. Bore hole \varnothing 20 mm.

1 transparent protection ring.

Bore hole \varnothing 16 mm.

3 plastic cover caps.

Finish

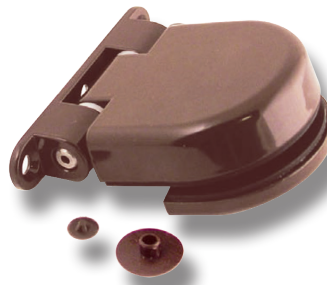
Brown powder painted # 15.25.050

Chrome plated # 15.25.051

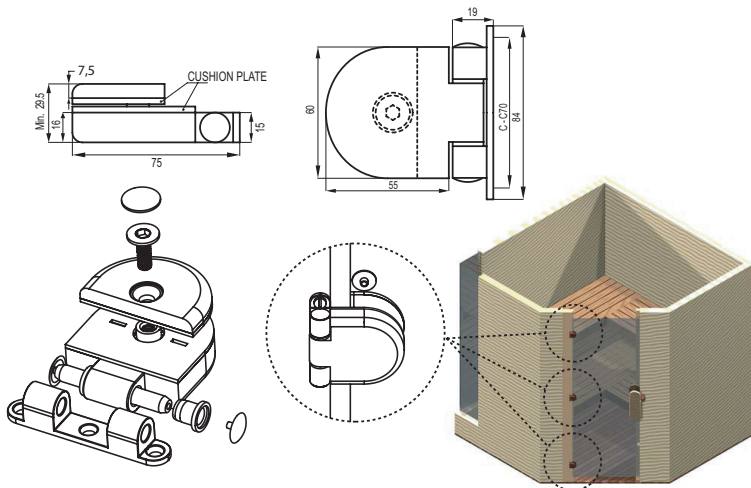
Alu-look # 15.25.052

SS-look # 15.25.053

Black matt # 15.25.059



Not for sale in Germany
Private usage



SAUNA HINGE "TREBISOV" F/GLASS DOORS - PIN MOUNTING

Opening: 180°.

Load capacity: 20 kg per hinge.

Glass thickness: 6-8 mm.

Max glass width: 700 mm.

One hinge consists of:

2 steel cylinders \varnothing 15 mm

w/ M8 x 40 mm pins for door frame mounting. c/c. 45 mm.

1 zamak hinge body 60 x 55 mm.

1 stainless steel connecting pin.

2 plastic bushings.

1 stainless steel tightening screw

M8 x 20 mm.

1 transparent height adjustment

washer. Bore hole \varnothing 20 mm.

1 transparent protection ring. Bore hole \varnothing 16 mm.

3 plastic cover caps.

Finish

Brown powder painted # 15.25.000

Chrome plated # 15.25.002

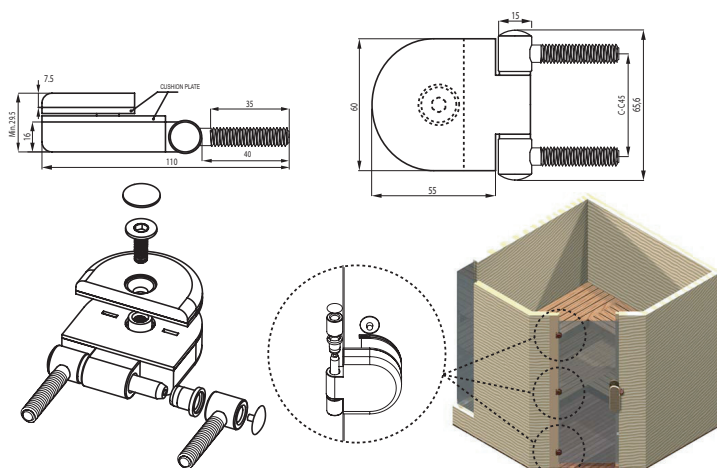
SS-look # 15.25.003

White powder painted # 15.25.004

Black matt # 15.25.007



Not for sale in Germany
Private usage



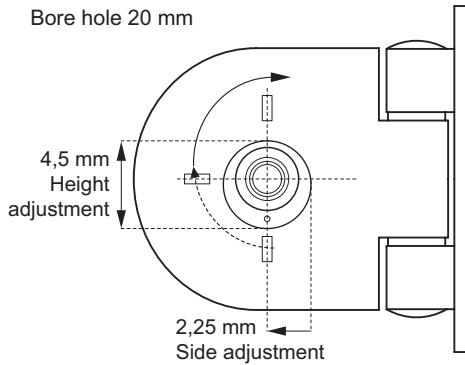
HEIGHT ADJUSTMENT WASHER INSTRUCTION

- high quality furniture fittings

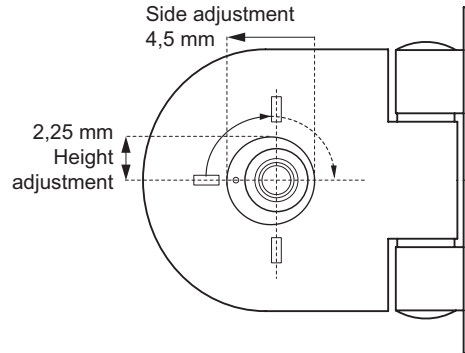


Transparent plastic
height adjustment washer

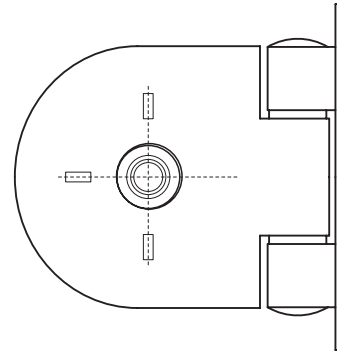
1. Assembly with adjustment washer
Recommendation 1
Bore hole 20 mm



2. Assembly with adjustment washer
Recommendation 2
Bore hole 20 mm

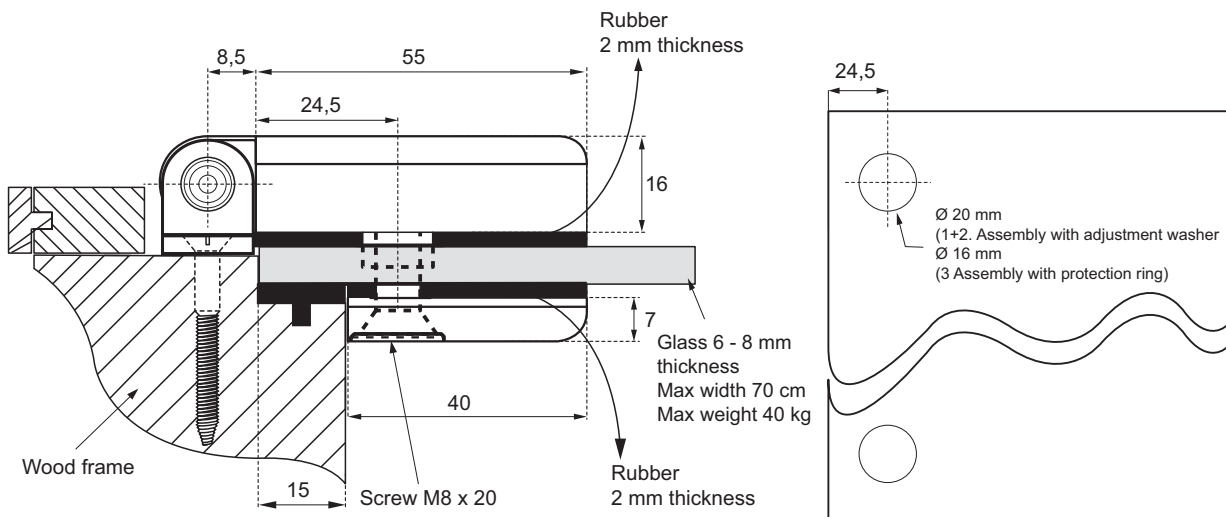


3. Assembly with protection ring
Bore hole 16 mm



Transparent rubber
protection ring

MOUNTING INSTRUCTION F/GLASS DOOR HINGE MODEL SLOVAKIA & TREBISOV

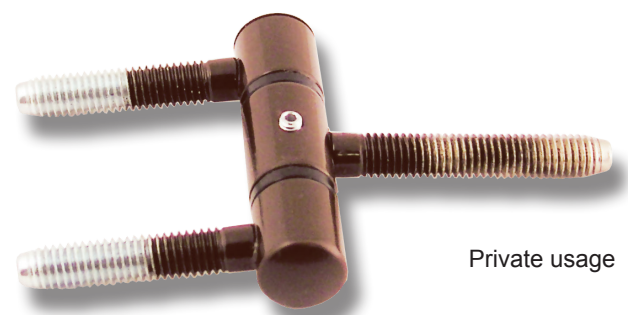


SAUNA HINGE "BELARUS" F/WOODEN DOORS - PIN MOUNTING

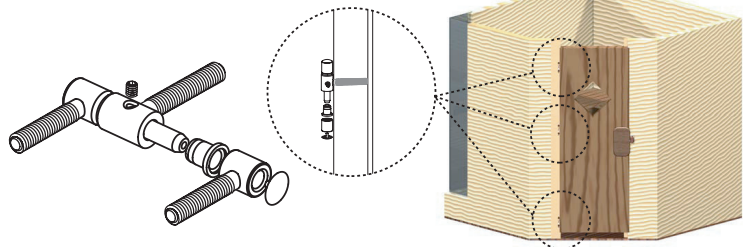
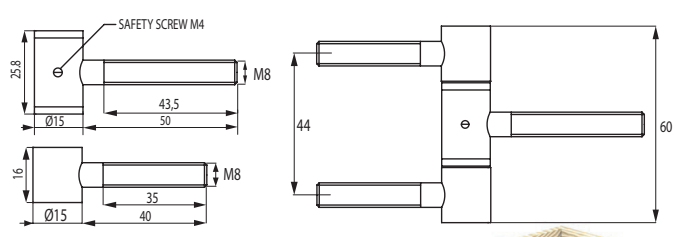
Opening: 180°.
Load capacity: 20 kg per hinge.

One hinge consists of
2 steel cylinders $\varnothing 15$ mm
w/ M8 x 40 mm pins for door frame
mounting. c/c 44 mm.
1 steel cylinder $\varnothing 15$ mm
w/ M8 x 50 mm pin for door mounting.
1 stainless steel connecting pin.
2 plastic bushings.
2 plastic cover caps.
1 safety screw M4.

Colour
Brown powder painted # 15.25.080
(other colours on request)



Private usage

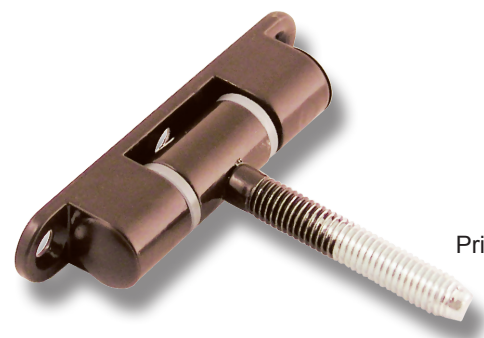


SAUNA HINGE "ESTI" F/WOODEN DOORS W/MOUNTING PLATE

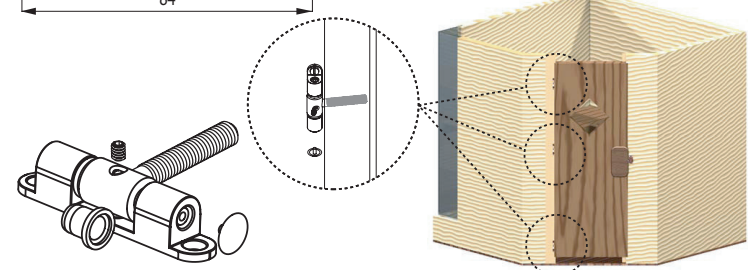
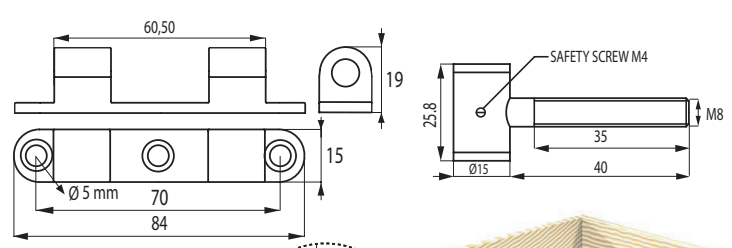
Opening: 180°.
Load capacity: 20 kg per hinge.

One hinge consists of
1 zamak mounting plate 15 x 84 mm.
3 CSK screw holes $\varnothing 5$ mm. c/c 70 mm.
1 steel cylinder $\varnothing 15$ mm w/ M8 x 50 mm
pin for door mounting.
1 stainless steel connecting pin.
2 plastic bushings.
2 plastic cover caps.
1 safety screw M4.

Colour
Brown powder painted # 15.25.070
(other colours on request)



Private usage



SAUNA HINGE "SUOMI" F/GLASS DOORS - CRANKED

- high quality furniture fittings



Opening: 130°.
Load capacity: 20 kg per hinge.
Glass thickness: 6-8 mm.
Max glass width: 700 mm.
2 bore holes \varnothing 12 mm for extra safety.
40 mm distance from centre of bore hole to edge of glass door.

One hinge consists of

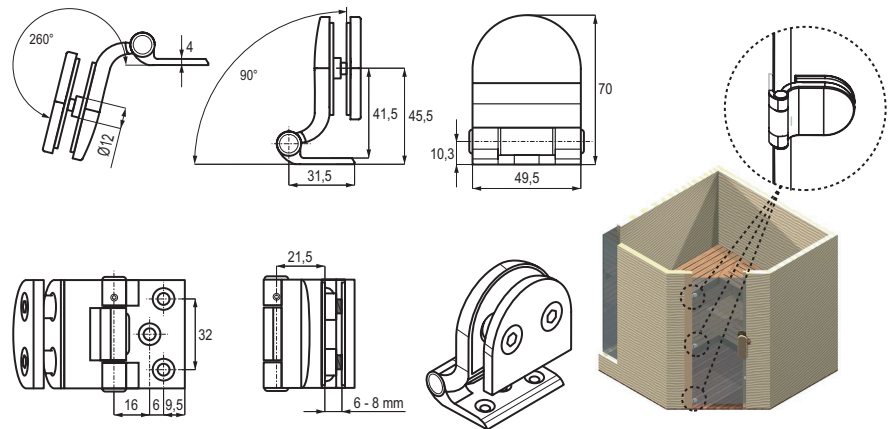
- 1 zamak mounting plate 25 x 50 mm.
w/3 CSK screw holes \varnothing 5 mm.
c/c 32mm.
- 1 zamak hinge body 49,5 x 49,5 mm.
- 1 stainless steel connecting pin.
- 2 plastic bushings.
- 1 safety screw M4.
- 2 stainless steel tightening screws
M8 x 12 mm c/c 25 mm.

Item No.

- | | |
|----------------------|-------------|
| Chrome plated | # 15.25.061 |
| Alu-look | # 15.25.062 |
| SS-look | # 15.25.063 |
| White powder painted | # 15.25.064 |



Private usage



SAUNA DOOR CATCH "UKRAINE"

Size

85 x 41 mm

Material

Zamak house & stainless steel spring

Pulling power

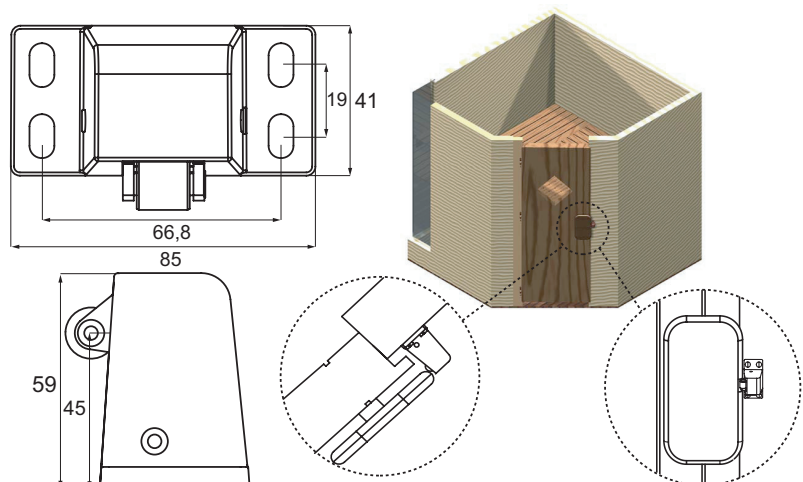
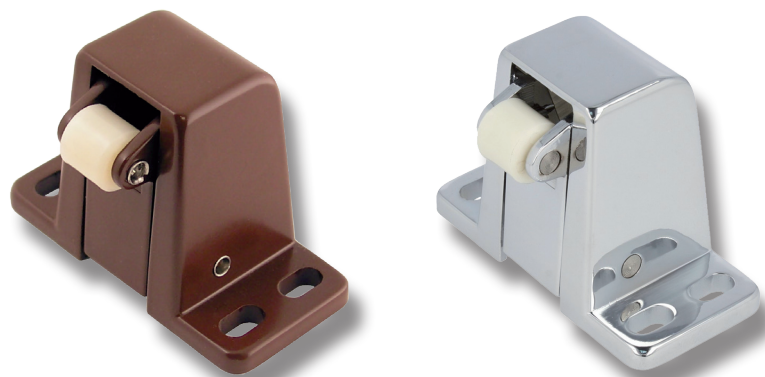
13 -15 kg.

Colour

Brown powder painted
(other colours on request)

Item No.

- | | |
|----------------------|-------------|
| Brown powder painted | # 15.25.020 |
| Chrome plated | # 15.25.021 |
| Alu-look | # 15.25.022 |
| SS-look | # 15.25.023 |



SAUNA DOOR CATCH ROLLER "DANIA" W/STRENGHT ADJUSTMENT FUNCTION

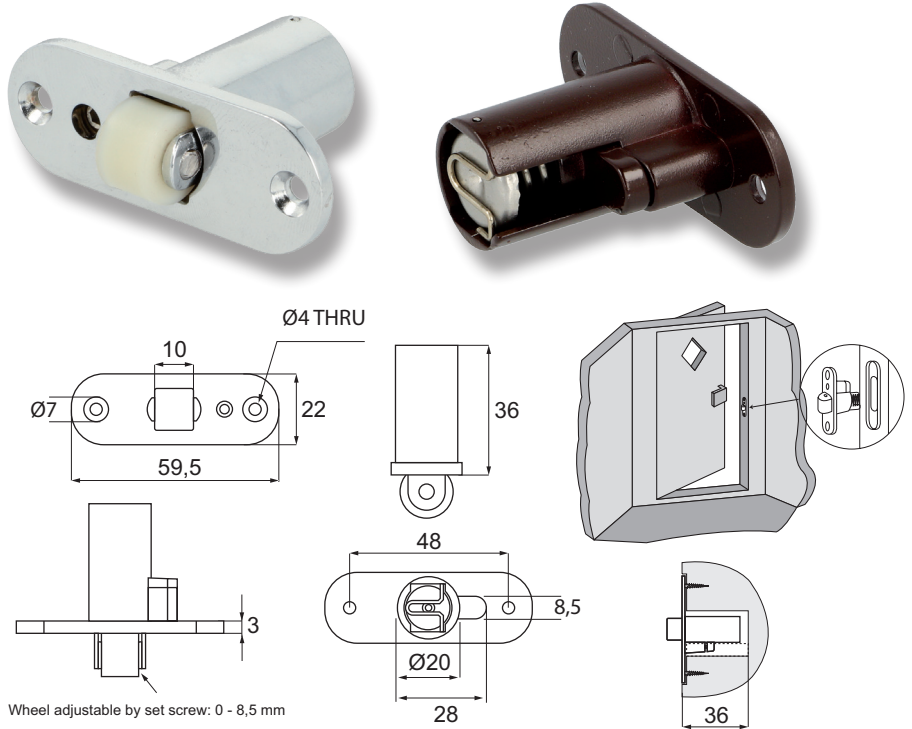
Application
For sauna doors

Mounting
Inset hole 29 x 36 mm c.c. 48 mm

Material
Zamak housing & plastic roller

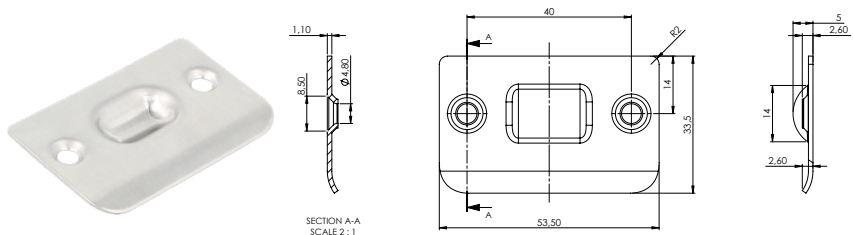
Function
By turning in the screw the depth of the roller can be adjusted from 0 - 8,5 mm

Item No.
 Chrome plated # 15.25.030
 Brown powder painted # 15.25.031
 Black matt # 15.25.032



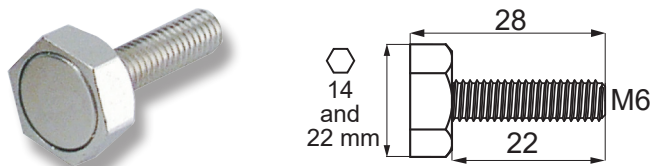
STRIKING PLATE FOR "DANIA" ROLLER CATCH

Size: 54 x 34 mm, cc: 40 mm
Material: SS-201, Brushed
Item No.: # 15.25.033



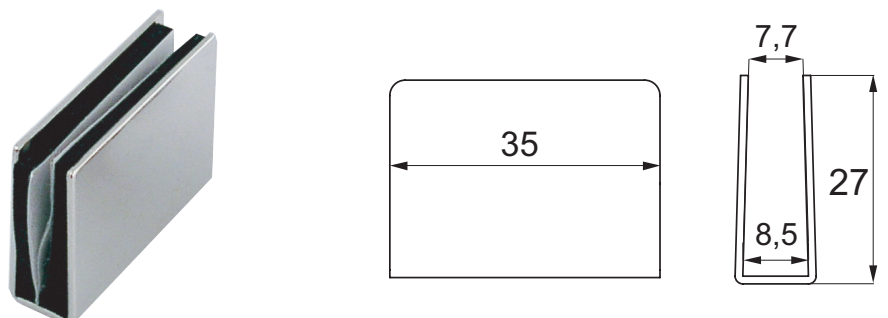
MAGNET SCREW WITH 14 MM HEX HEAD

Size M6 x 28 mm
Material Steel
Finish Nickel plated
Pulling power 9,5 kg
Item No.:
 W/14mm hex head # 15.25.010
 W/22mm hex head # 15.25.009



CATCH PLATE

Size: 35 x 27 mm
Material: Steel
Glass thickness: 6 - 8 mm
Item No.:
 Alu-look # 15.25.013
 Chrome plated # 15.25.017



GLASS CLAMP FLOOR/GLASS "KOS"

- high quality furniture fittings

Application

Suitable for shower glass walls
No drilling in glass needed
 W/black POM gasket for easy fixing
 W/ribbed bottom plate for glue fixing

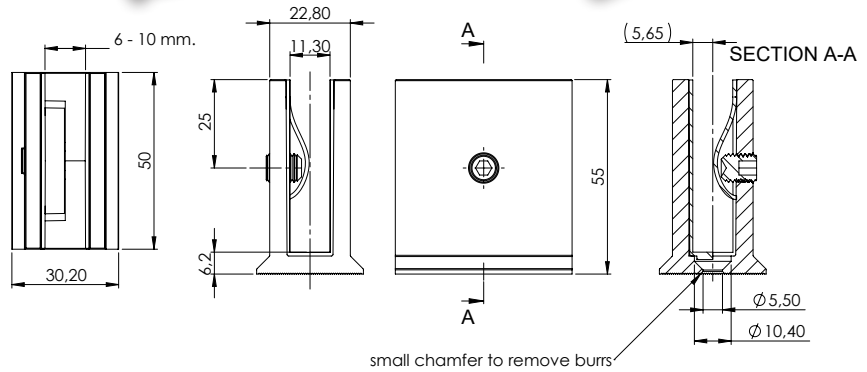
Mounting:

Floor mounted by Ø5,5 mm screw hole & with glue.
 Glass mounted by POM gasket & SS-304 screw w/soft tip.

Glass thickness: 6 - 10 mm
Material: Brass
Size: 55 x 50 x 30mm

Item No.:

Chrome plated # 15.23.780-0
 Black matt # 15.23.780-4
 SS-look # 15.23.780-5
 Alu-look # 15.23.780-7
 Polished brass # 15.23.780-8



GLASS CLAMP GLASS/GLASS 180° W/SQUARE CORNERS "BERN"

Application

Suitable for shower glass walls
 Glass thickness: 8 - 10 mm
 Drilling required

Mounting

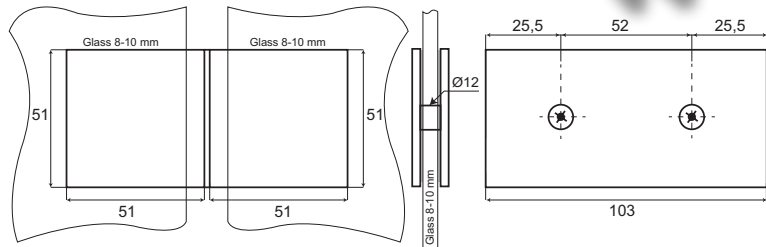
Glass ø12 mm drilling

Material: Brass

Size: 51 x 51 x 17 mm

Item No.:

Chrome plated # 15.23.695
 SS-look # 15.23.696



GLASS CLAMP GLASS/GLASS 90° W/SQUARE CORNERS "BERN"

Application

Suitable for shower glass walls
 Glass thickness: 8 - 10 mm
 Drilling required

Mounting

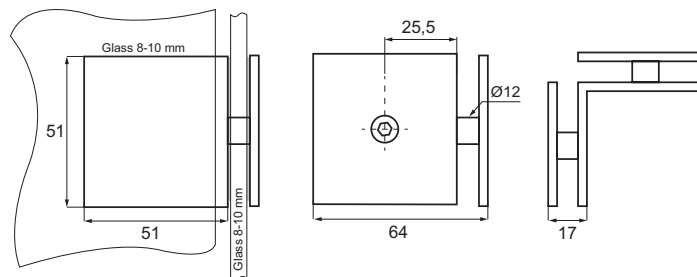
Glass ø12 mm drilling

Material: Brass

Size: 51 x 51 x 17 mm

Item No.:

Chrome plated # 15.23.690
 SS-look # 15.23.691
 Alu-look # 15.23.692



GLASS CLAMP WALL/GLASS 180° W/SQUARE CORNERS "BERN"

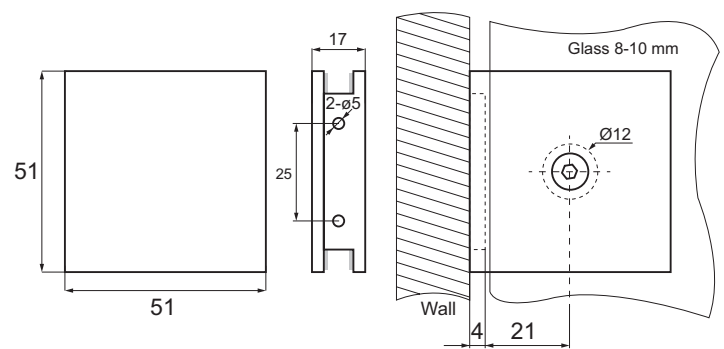
Application
 Suitable for shower glass walls
 Glass thickness: 8 - 10 mm
 Drilling required

Mounting
 Wall 2 x $\varnothing 5$ mm CSK screw holes
 Glass $\varnothing 12$ mm drilling

Material: Brass

Size: 51 x 51 x 17 mm

Item No.:
 Chrome plated # 15.23.706



GLASS CLAMP WALL/GLASS 90° W/SQUARE CORNERS "BERN"

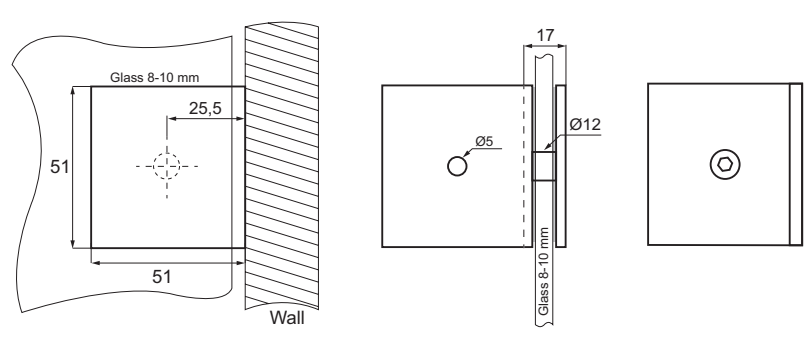
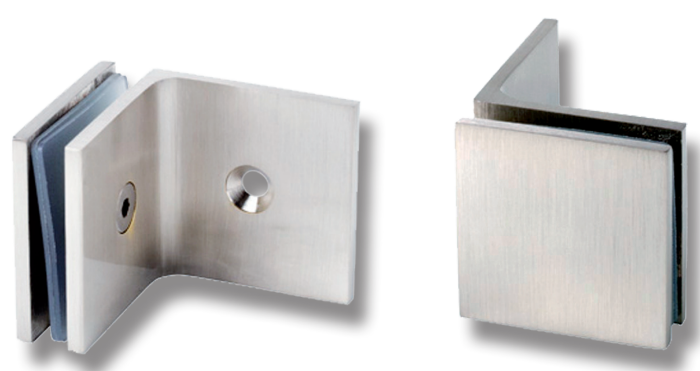
Application
 Suitable for shower glass walls
 Glass thickness: 8 - 10 mm
 Drilling required

Mounting
 Wall: 1 x $\varnothing 5$ mm CSK screw holes
 Glass: $\varnothing 12$ mm drilling

Material: Brass

Size: 51 x 51 x 17 mm

Item No.:
 Chrome plated # 15.23.700-2
 SS-look # 15.23.701-2
 Brushed Brass # 15.23.700-8
 Black Matt # 15.23.701-4



GLASS CLAMP WALL/GLASS 180° "BERNI" W/SQUARE CORNERS

- high quality furniture fittings



Application

Suitable for shower glass walls
Drilling required
Glass thickness 8 - 10 mm

Mounting

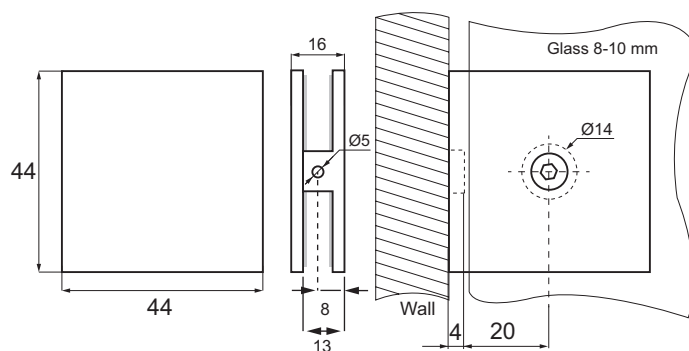
Wall mounted by $\varnothing 5$ mm screw hole
Glass mounted by $\varnothing 12$ mm drilling

Material: Brass

Size: 44 x 44 x 17 mm

Item No.:

Chrome plated # 15.23.650
SS-look # 15.23.651



GLASS CLAMP WALL/GLASS 90° "BERNI" W/SQUARE CORNERS

Application

Suitable for shower glass walls
Drilling required
Glass thickness 8 - 10 mm

Mounting

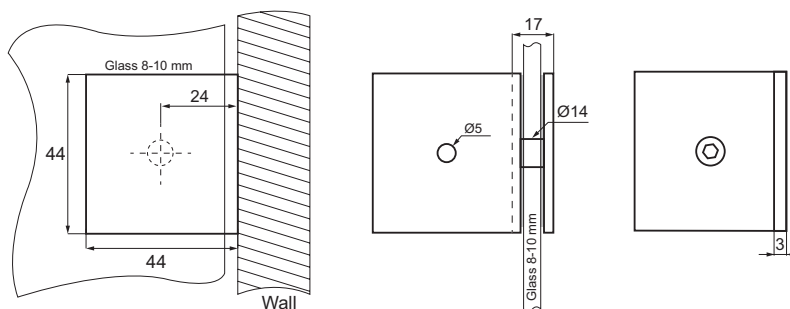
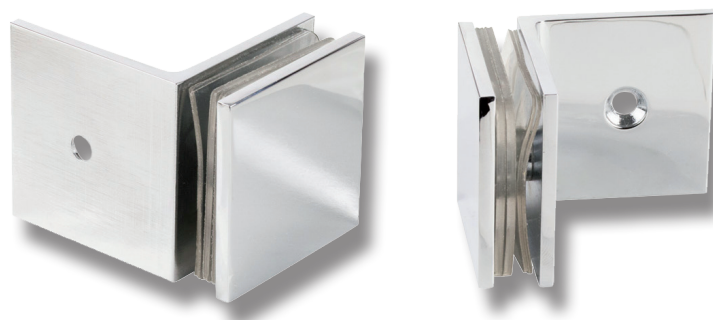
Wall mounted by $\varnothing 5$ mm screw hole
Glass mounted by $\varnothing 12$ mm drilling

Material: Brass

Size: 44 x 44 x 17 mm

Item No.:

Chrome plated # 15.23.655
SS-look # 15.23.656



GLASS CLAMP GLASS/GLASS 90° "BERNI" W/SQUARE CORNERS

Application

Suitable for shower glass walls
Drilling required
Glass thickness 8 - 10 mm

Mounting

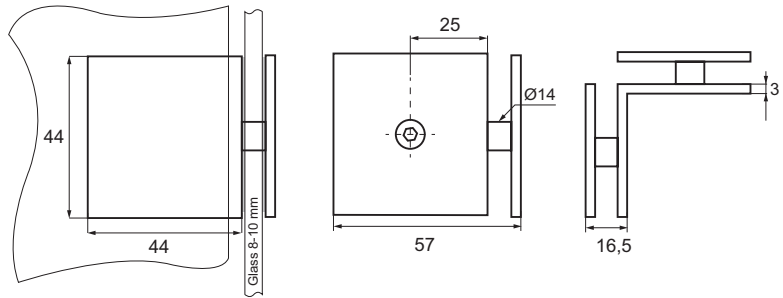
Glass mounted by $\varnothing 12$ mm drilling

Material: Brass

Size: 44 x 44 x 17 mm

Item No.:

Chrome plated # 15.23.660
SS-look # 15.23.661



GLASS CLAMP GLASS/GLASS 180° "BERNI" W/SQUARE CORNERS

Application

Suitable for shower glass walls
Drilling required
Glass thickness 8 - 10 mm

Mounting

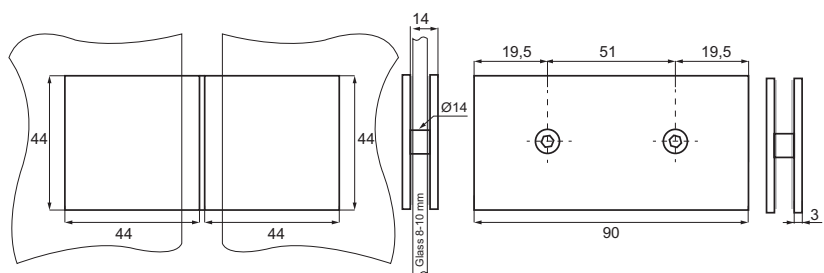
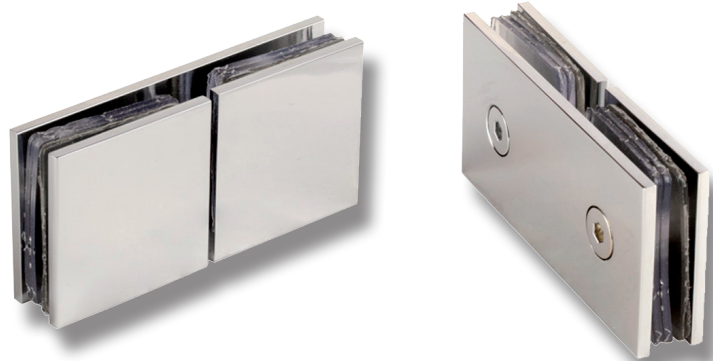
Glass mounted by $\varnothing 12$ mm drilling

Material: Brass

Size: 89 x 44 x 17 mm

Item No.:

Chrome plated # 15.23.665
SS-look # 15.23.666



GLASS CLAMP WALL/GLASS 180° W/CHAMFERED EDGES "LUND"

- high quality furniture fittings



Application

Suitable for shower glass walls
Glass thickness: 8 - 10 mm
Drilling required

Mounting

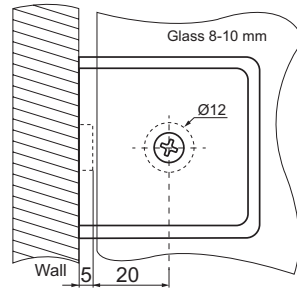
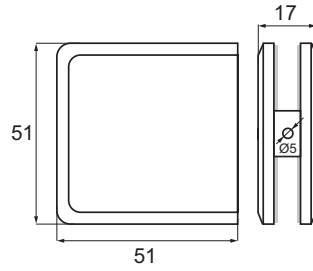
Wall: 1 x $\varnothing 5$ mm CSK screw holes
Glass: $\varnothing 12$ mm drilling

Material: Brass

Size: 51 x 51 x 17 mm

Item No.:

Chrome plated # 15.23.707
Alu-look # 15.23.709



GLASS CLAMP WALL/GLASS 90° W/CHAMFERED EDGES "LUND"

Application

Suitable for shower glass walls
Glass thickness: 8 - 10 mm
Drilling required

Mounting

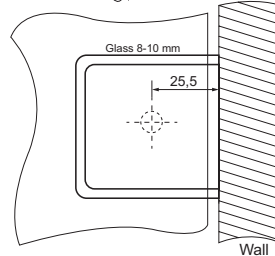
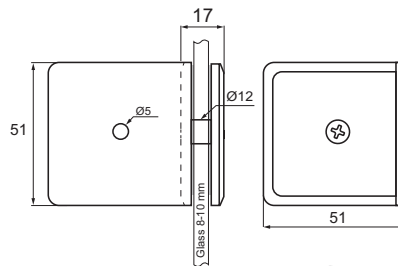
Wall: 1 x $\varnothing 5$ mm CSK screw holes
Glass: $\varnothing 12$ mm drilling

Material: Brass

Size: 51 x 51 x 17 mm

Item No.:

Chrome plated # 15.23.710
Alu-look # 15.23.712



GLASS CLAMP WALL/GLASS 180° W/ROUNDED CORNERS "HAM"

Application

Suitable for shower glass walls
Glass thickness: 8 - 10 mm
Drilling required

Features

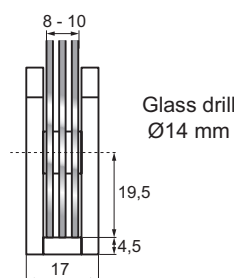
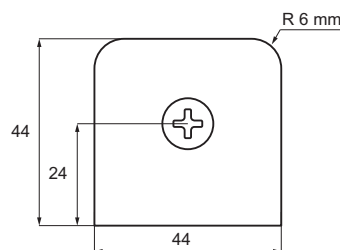
Glass thickness 8 - 10 mm

Material: Brass

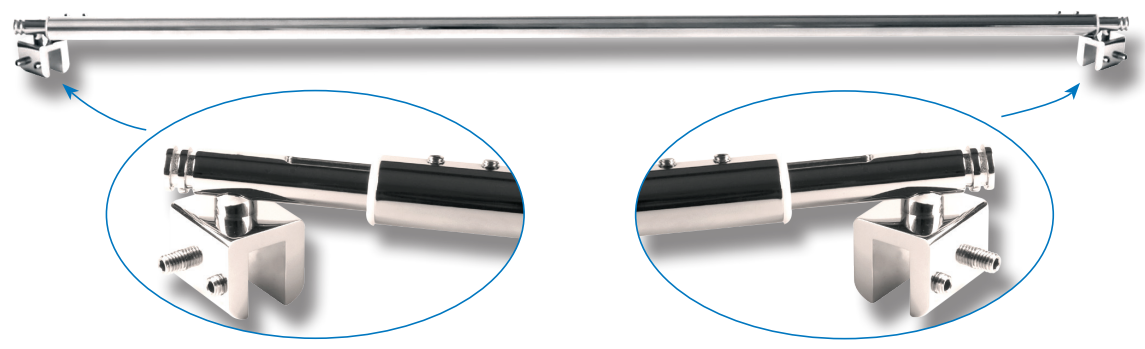
Size: 44 x 44 x 17 mm

Item No.:

Chrome plated # 15.23.721
SS-look # 15.23.722



SHOWER SUPPORT BAR SOLID BRASS - GLASS TO GLASS

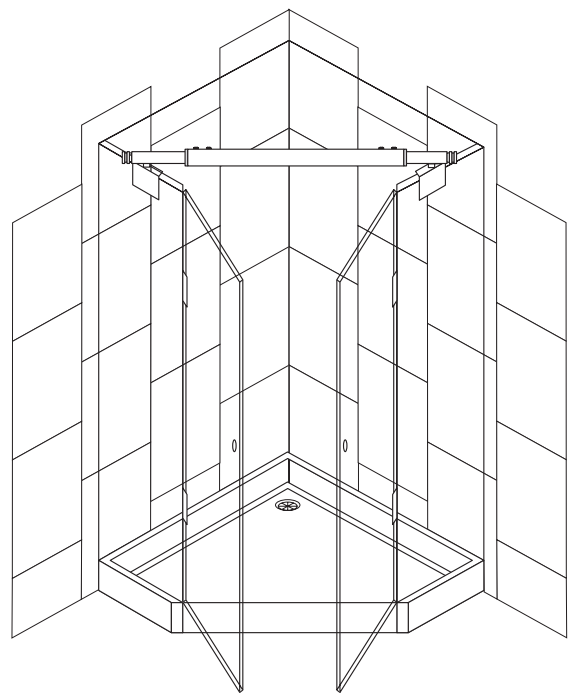
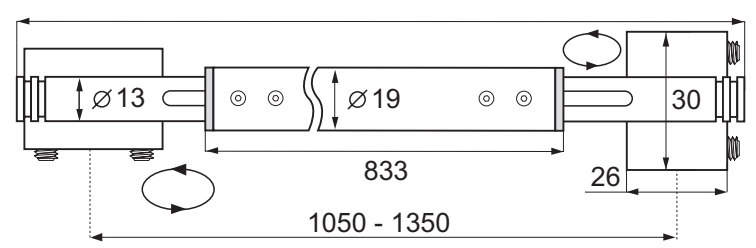
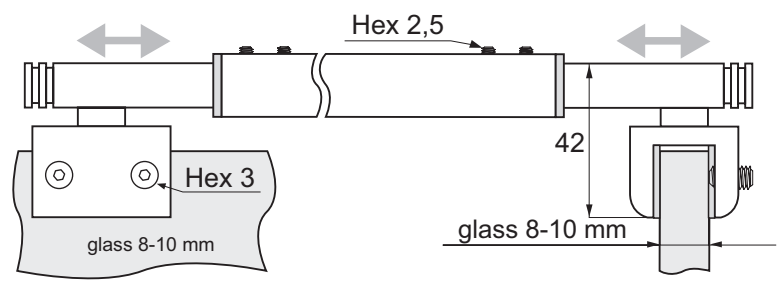


Application
 Suitable for connecting glass to wall.
 No glass drilling required.
 Extendable from 1050 - 1350 mm
 Glass thickness 8 - 10 mm

Material
 Brass

1 support bar consists of:
 1 bar $\varnothing 19 \times 1050$ to 1350 mm
 w/2 tightening screws 2,5 mm hex
 1 L-shaped hex key 2,5 mm
 2 glass mounting bracket 30 X 26 mm
 w/2 tightening screws 3 mm hex
 1 L-shaped hex key 3 mm
 4 transparent cushions 1 mm thickness

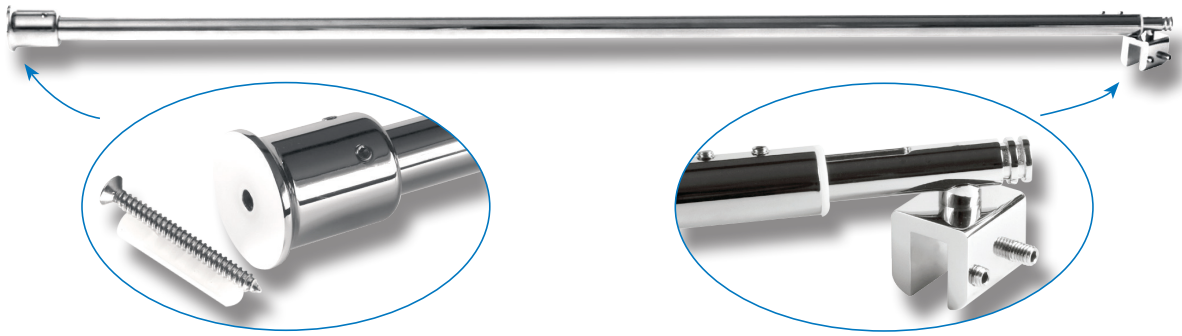
Finish
 Chrome plated # 15.24.021



SHOWER SUPPORT BAR SOLID BRASS - WALL TO GLASS

- high quality furniture fittings

SISO
DENMARK



Application

Suitable for connecting glass to wall.
No glass drilling required.
Extendable from 970 - 1150 mm.
Glass thickness 8 - 10 mm.

Material

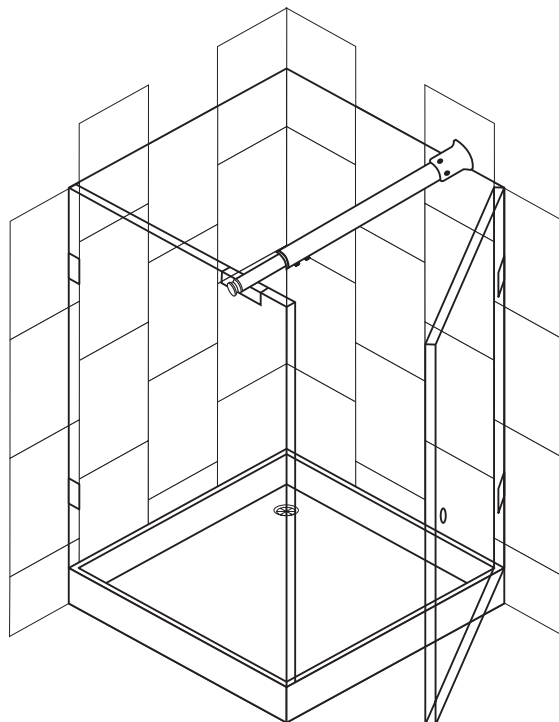
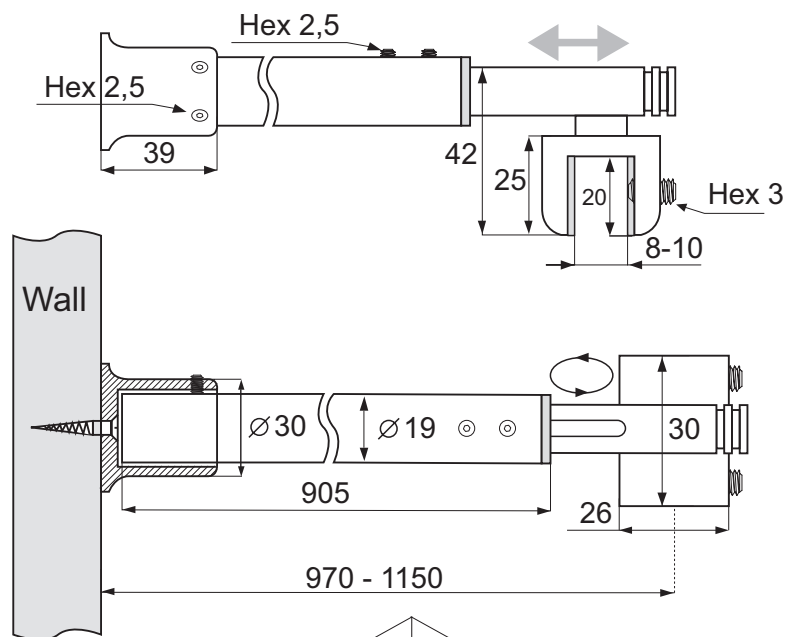
Brass

1 support bar consists of:

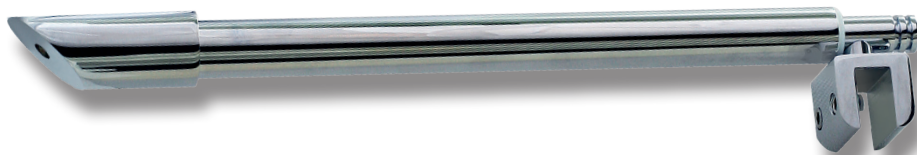
- 1 bar $\varnothing 19 \times 970 - 1150$ mm
- w/2 tightening screws 2,5 mm hex
- 1 wall mounting rosette $\varnothing 37$ mm
- w/2 tightening screws 2,5 mm hex
- 1 L-shaped hex key 2,5 mm
- 1 wall plug
- 1 wall screw
- 1 glass mounting bracket 30 X 26 mm
- w/2 tightening screws 3 mm hex
- 1 L-shaped hex key 3 mm
- 2 transparent cushions 1 mm thickness

Finish

Chrome plated # 15.24.020



SHOWER SUPPORT BAR WALL TO GLASS 45° ANGLE



Application

Suitable for connecting glass to wall.
No glass drilling required.
Extendable from 240 - 400 mm
Glass thickness 8 - 10 mm

Material

Brass

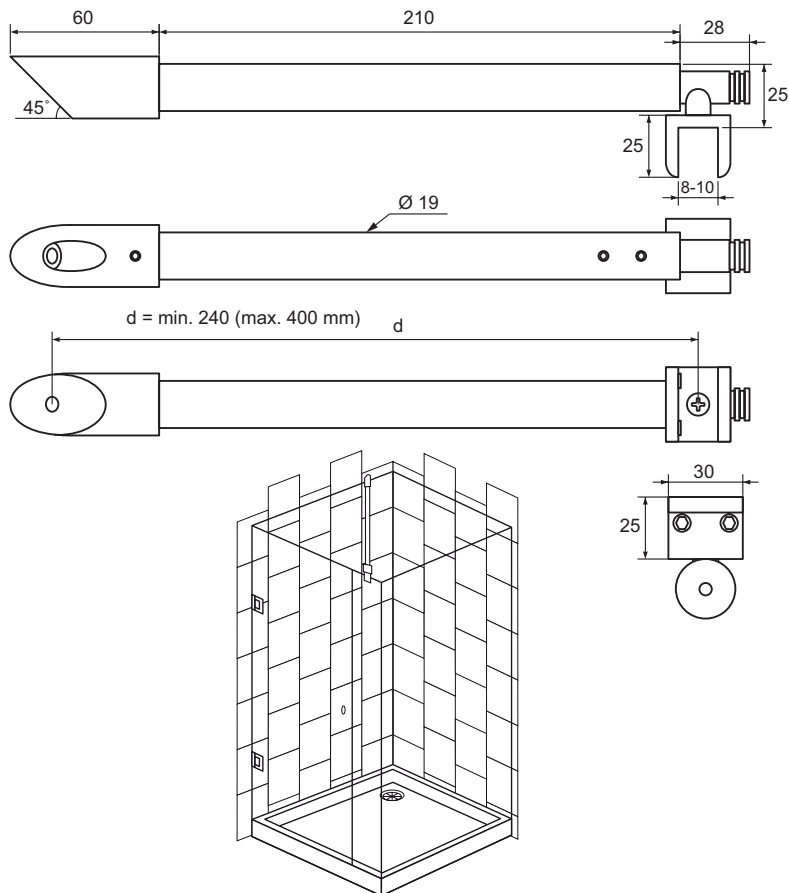
1 support bar consists of:

- 1 bar $\varnothing 19$ x 240 to 400 mm
- w/2 tightening screws 2,5 mm hex
- 1 wall mounting bracket 45° angle
- w/1 tightening screws 2,5 mm hex
- 1 L-shaped hex key 2,5 mm
- 1 wall screw
- 1 wall plug
- 1 glass mounting bracket 30 x 25 mm
- w/2 tightening screws 4 mm hex
- 1 L-shaped hex key 4 mm
- 1 transparent cushions 1 mm thick

Finish

Chrome plated

Item No: # 15.24.025



BRASS TUBES F/SHOWERS

Material: SS304 or Brass - Chrome plated (CPL), Black matt, Brushed Brass, Polished Brass, SS-look or Alu-look

Size: $\varnothing 19$ x 1000, 1200, 1300 or 2000 mm

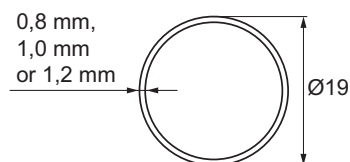
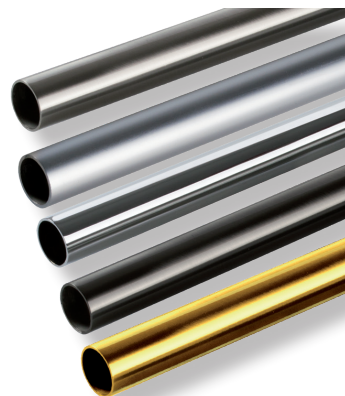
Wall thickness: 0,8 mm, 1,0 mm or 1,2 mm

Brass tubes:

$\varnothing 19$ x 1000 x 0,8 mm - CPL	# 15.26.119-0
$\varnothing 19$ x 1000 x 0,8 mm - Brushed Brass	# 15.26.119-5
$\varnothing 19$ x 1000 x 1,2 mm - CPL	# 15.26.120-0
$\varnothing 19$ x 1000 x 1,2 mm - Black matt	# 15.26.120-4
$\varnothing 19$ x 1000 x 1,2 mm - SS-look	# 15.24.120-7
$\varnothing 19$ x 1300 x 0,8 mm - CPL	# 15.26.121-0
$\varnothing 19$ x 1300 x 1,2 mm - Black matt	# 15.26.121-4
$\varnothing 19$ x 1300 x 1,2 mm - SS-look	# 15.24.121-7

SS-304 tubes:

$\varnothing 19$ x 1000 x 0,8 mm - Brass polished	# 15.24.125-8
$\varnothing 19$ x 1000 x 0,8 mm - Brushed Brass	# 15.24.127-5
$\varnothing 19$ x 1000 x 1,0 mm - Polished	# 15.26.127-9
$\varnothing 19$ x 1000 x 1,0 mm - Brushed	# 15.24.127-1
$\varnothing 19$ x 1000 x 1,2 mm - Black matt	# 15.24.125-4
$\varnothing 19$ x 1200 x 1,0 mm - Alu-look	# 15.24.128-5
$\varnothing 19$ x 1300 x 0,8 mm - Brass polished	# 15.24.128-8
$\varnothing 19$ x 1300 x 1,0 mm - Brushed Brass	# 15.24.128-6
$\varnothing 19$ x 1300 x 1,2 mm - Polished	# 15.24.128-2
$\varnothing 19$ x 1300 x 1,2 mm - Black matt	# 15.24.128-4
$\varnothing 19$ x 1300 x 1,2 mm - Brushed	# 15.26.128-7
$\varnothing 19$ x 2000 x 1,2 mm - Polished	# 15.26.129-0
$\varnothing 19$ x 2000 x 1,2 mm - Black matt	# 15.24.129-4



Length 1000, 1200, 1300 or 2000 mm

BAR TO GLASS BRACKET W/OPEN BAR HOLE

- high quality furniture fittings



Application

Connection fitting for shower bars
No drilling required
For $\varnothing 19$ mm bar
Glass thickness 8 - 10 mm

Material

Brass

Finish

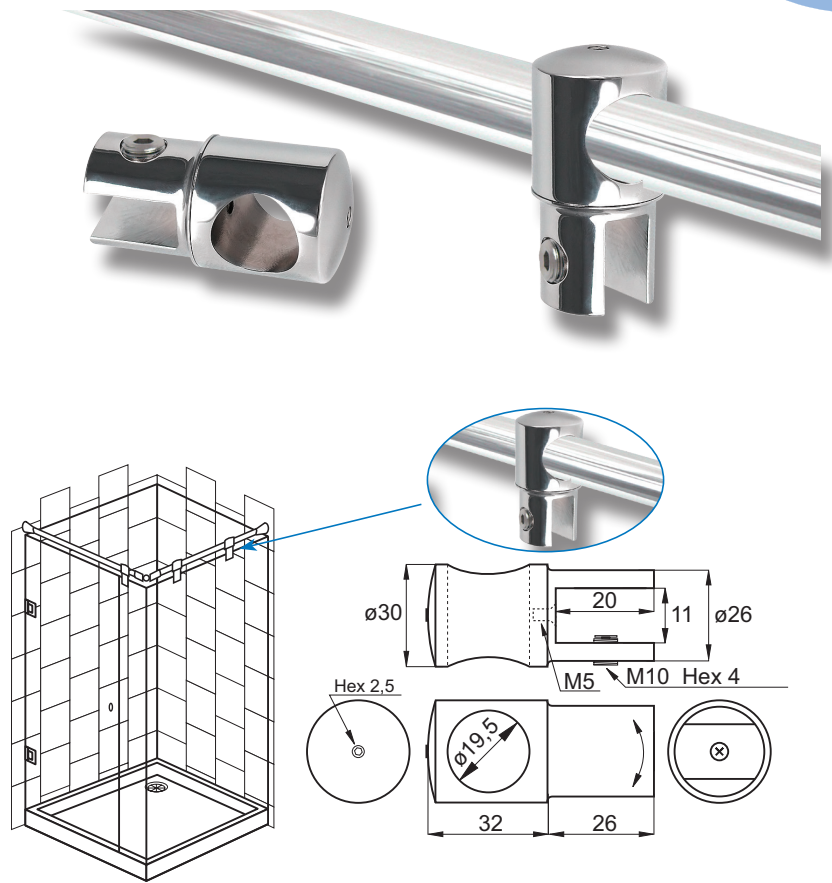
Chrome plated # 15.26.103-0
SS-look # 15.26.103-6
Black matt # 15.26.103-4
Brushed Brass # 15.26.103-5
Polished Brass # 15.26.103-8

Inclusive

1 hex key 2,5 mm
1 transparent cushion 1 mm thickness

Optional

Shower bar brass, CPL
 $\varnothing 19$ x 1000 mm # 15.26.120
 $\varnothing 19$ x 1300 mm # 15.26.121



BAR TO GLASS END BRACKET W/CLOSED BAR HOLE

Application

Connection fitting for shower bars
No drilling required
For $\varnothing 19$ mm bar
Glass thickness 8 - 10 mm

Material

Brass

Finish

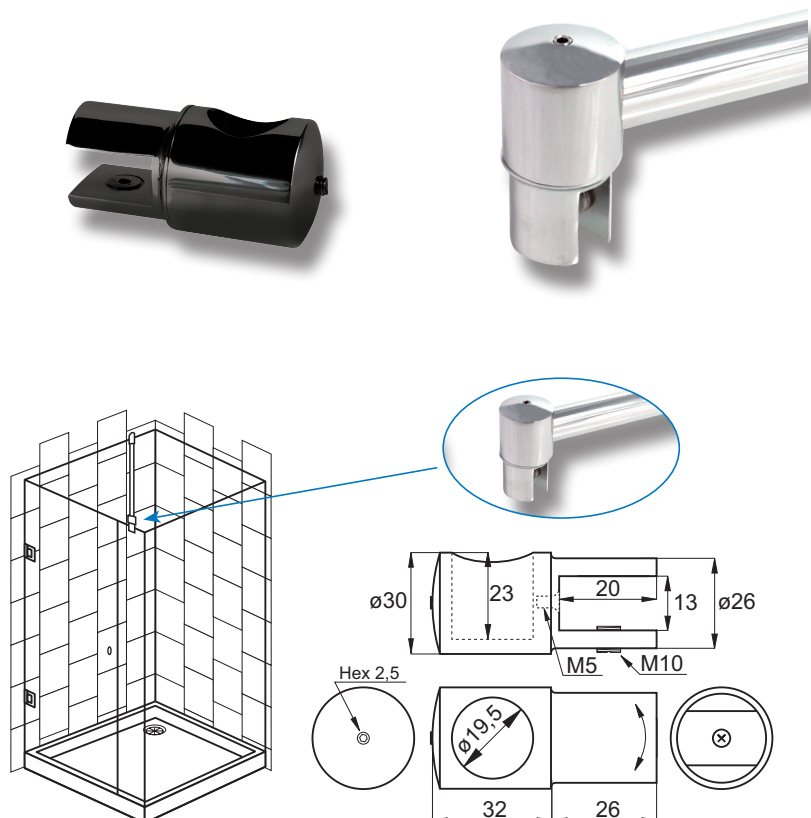
Chrome plated # 15.26.102-0
SS-look # 15.26.102-7
Alu-look # 15.24.102-9
Black matt # 15.26.102-4
Brushed Brass # 15.26.102-5
Polished Brass # 15.26.102-8

Inclusive

1 hex key 2,5 mm
1 transparent cushion 1 mm thickness

Optional

Shower bar brass, CPL
 $\varnothing 19$ x 1000 mm # 15.26.120
 $\varnothing 19$ x 1300 mm # 15.26.121



BAR TO WALL BRACKET W/45° ANGLE

Application

Connection fitting for shower bars
No drilling required
For $\varnothing 19$ mm bar

Material

Brass

Finish

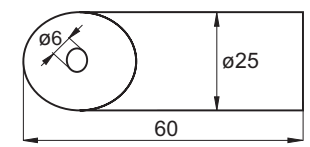
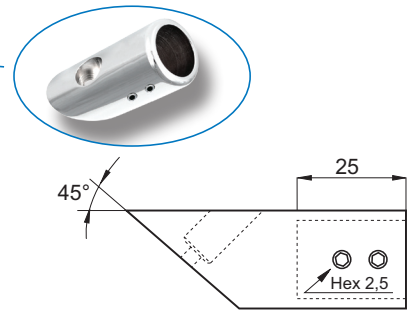
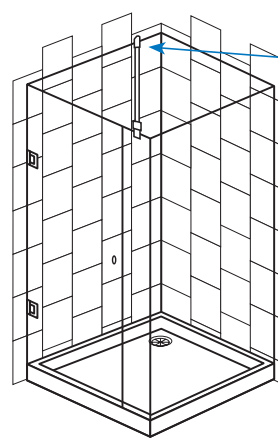
Chrome plated # 15.26.101-0
Black matt # 15.26.101-4
SS-look # 15.26.101-6
Brushed Brass # 15.26.101-5
Polished Brass # 15.26.101-8

Inclusive

1 hex key 2,5 mm
1 wall plug
1 wall screw

Optional

Shower bar brass, CPL
 $\varnothing 19 \times 1000$ mm # 15.26.120
 $\varnothing 19 \times 1300$ mm # 15.26.121



BAR TO WALL BRACKET W/FLAT BACK

Application

Connection fitting for shower bars
With adjustable wall fixing washer
No drilling required
For $\varnothing 19$ mm bar

Material

Brass

Finish

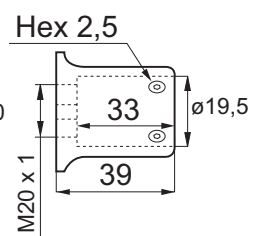
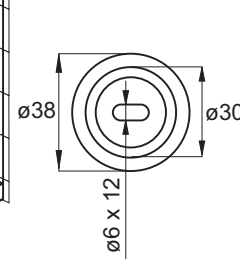
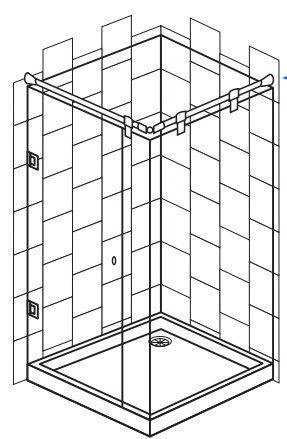
Chrome plated # 15.26.100-0
SS-look # 15.26.100-8
Black matt # 15.26.100-4
Brushed Brass # 15.26.100-5
Polished Brass # 15.26.100-6
Alu-look # 15.26.100-7

Inclusive

1 hex key 2,5 mm
1 wall plug
1 wall screw

Optional

Shower bar brass, CPL
 $\varnothing 19 \times 1000$ mm # 15.26.120
 $\varnothing 19 \times 1300$ mm # 15.26.121



BAR TO WALL BRACKET W/FLAT STRAIGHT BACK

- high quality furniture fittings



Applications

Connection fitting for shower bars
With adjustable wall fixing washer
No drilling required
For $\varnothing 19\text{mm}$ bar
Material: Brass

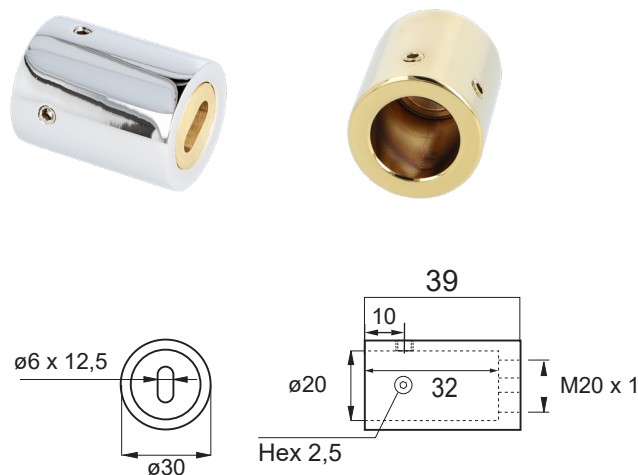
Finish:

Chrome Plated # 15.26.113-0
Black matt # 15.26.113-4
SS-look # 15.26.113-5
Polished brass # 15.26.113-8
Brushed brass # 15.26.113-9

Optional

Shower bar brass, CPL

$\varnothing 19 \times 1000 \text{ mm}$ # 15.26.120
 $\varnothing 19 \times 1300 \text{ mm}$ # 15.26.121



BAR TO BAR BRACKET T-SHAPED F/3 BAR CONNECTION

Application

Connection fitting for shower bars
No drilling required
For $\varnothing 19 \text{ mm}$ bar
90° connection

Material

Brass

Finish

Chrome plated # 15.26.105-0
SS-look # 15.26.105-5
Black matt # 15.26.105-4
Polished Brass # 15.26.105-8

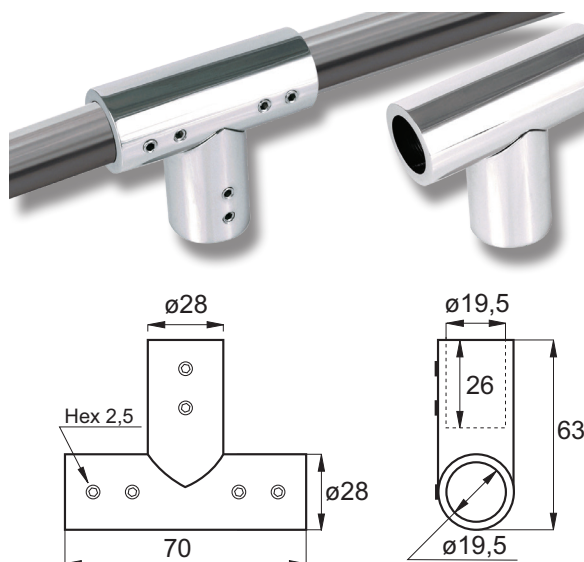
Inclusive

1 hex key 2,5 mm

Optional

Shower bar brass, CPL

$\varnothing 19 \times 1000 \text{ mm}$ # 15.26.120
 $\varnothing 19 \times 1300 \text{ mm}$ # 15.26.121



BAR TO BAR BRACKET W/SWIVEL LINKAGE

Application

Connection fitting for shower bars
No drilling required
For $\varnothing 19 \text{ mm}$ bar
Adjusted to any degree

Material

Brass

Finish

Chrome plated # 15.26.104-0
SS-look # 15.26.104-5
Black matt # 15.26.104-4
Polished Brass # 15.24.104-8

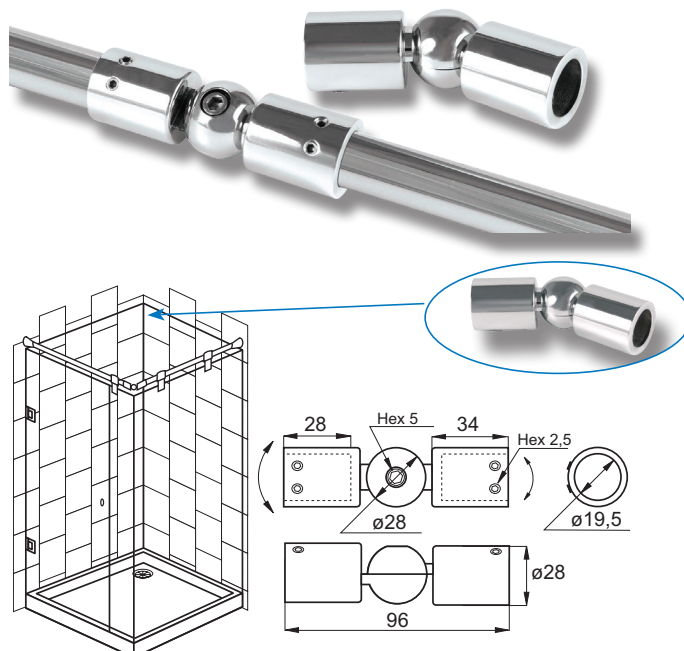
Inclusive

1 hex key 2,5 mm
1 hex key 5 mm

Optional

Shower bar brass, CPL

$\varnothing 19 \times 1000 \text{ mm}$ # 15.26.120
 $\varnothing 19 \times 1300 \text{ mm}$ # 15.26.121



BAR TO BAR CONNECTOR 90°

Application

Connection fitting for shower bars
No drilling required
90° connection
F/Ø19mm tubes

Material

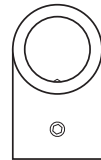
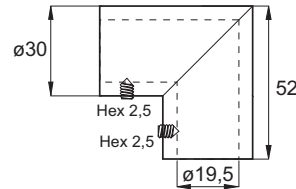
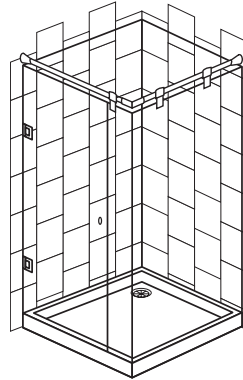
Brass

Finish

Chrome plated # 15.26.107-0
Black matt # 15.26.107-4
SS-look # 15.26.107-6
Polished Brass # 15.26.107-8

Optional

Shower bar brass, CPL
Ø19 x 1000 mm #15.26.120
Ø19 x 1300 mm #15.26.121



GLASS TO BAR CEILING CONNECTOR

Application

Connection fitting for shower bars
No drilling required
F/glass thickness 8 – 10 mm
F/Ø19mm tubes

Material

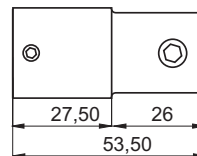
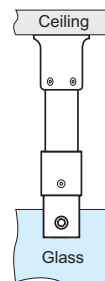
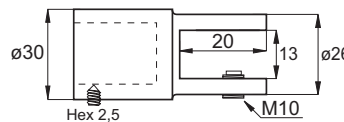
Brass

Finish

Chrome plated # 15.26.108-0
SS-look # 15.26.108-6
Alu-look # 15.24.108-9
Black matt # 15.26.108-4
Brushed Brass # 15.26.108-5
Polished Brass # 15.26.108-8

Optional

Shower bar brass, CPL
Ø19 x 1000 mm #15.26.120
Ø19 x 1300 mm #15.26.121



BAR TO GLASS WALL BRACKET

Application

Connection fitting for shower bars
Drilling required – Ø10 mm
F/glass thickness 8 – 12 mm
F/Ø19 mm tubes

Material

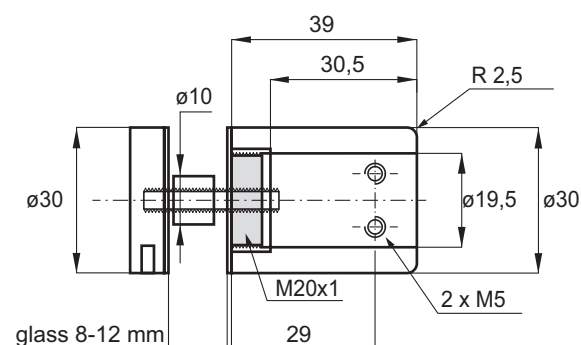
Brass

Finish

Chrome plated # 15.26.110-0
SS-look # 15.24.112-1
Alu-look # 15.24.111-0
Black matt # 15.24.110-4
Polished Brass # 15.24.110-8
Brushed Brass # 15.26.110-9

Optional

Shower bar brass, CPL
Ø19 x 1000 mm # 15.26.120
Ø19 x 1300 mm # 15.26.121



BAR TO WALL BRACKET F/SQUARE TUBE W/FLAT BACK

- high quality furniture fittings



Application

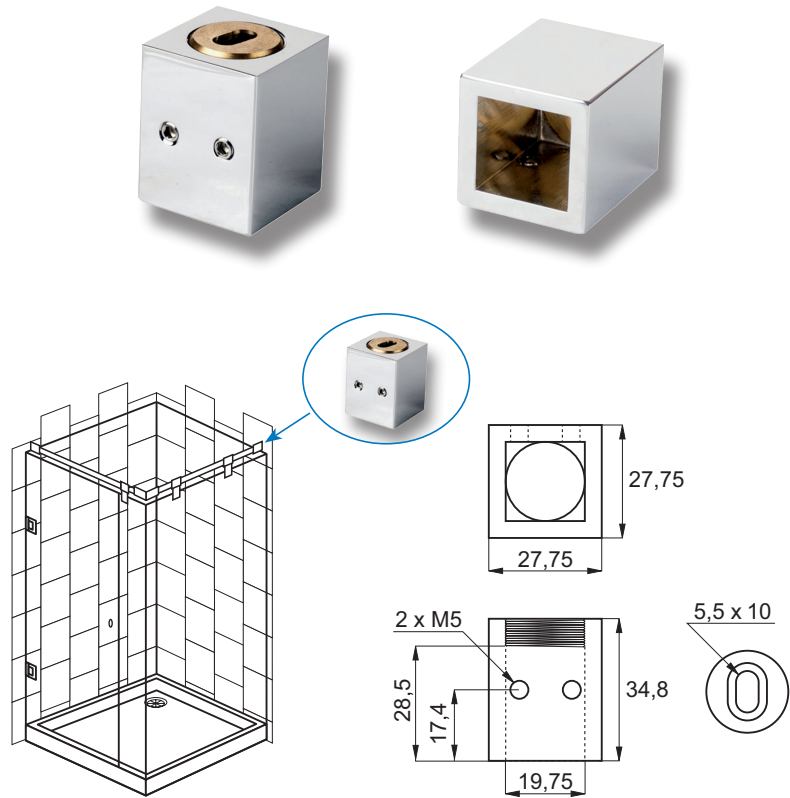
Connection fitting for square shower bars
With adjustable wall fixing washer
No drilling required
For 19 x 19 mm bar

Material

Brass

Finish

Chrome plated # 15.24.300-0
SS-lock # 15.24.300-5
Black matt # 15.24.300-4



BAR TO WALL BRACKET F/SQUARE TUBE W/45° ANGLE

Application

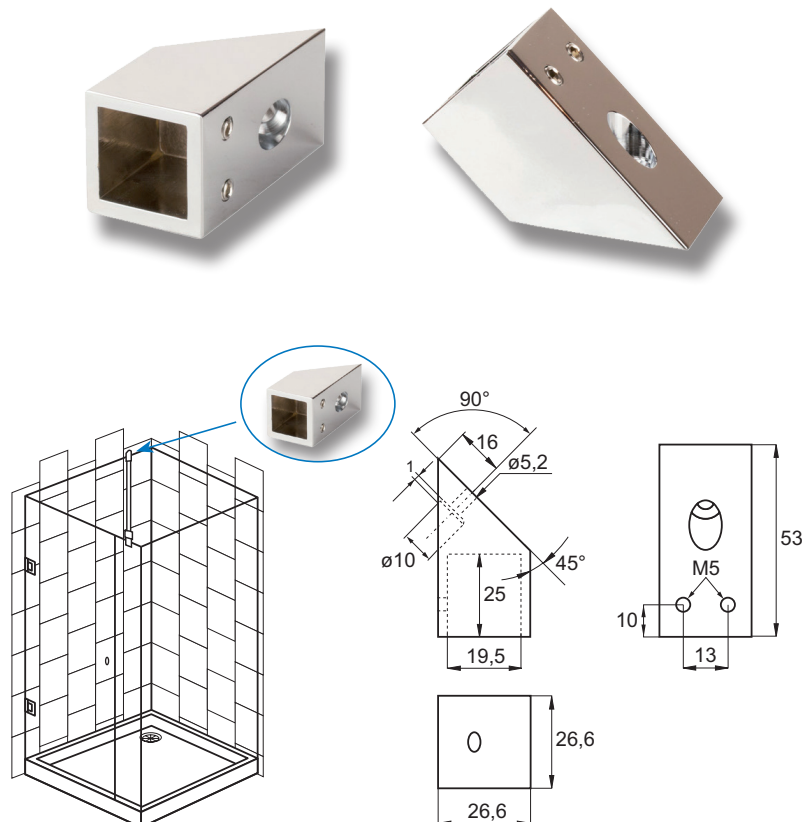
Connection fitting for square shower bars
No drilling required
For 19 x 19 mm bar

Material

Brass

Finish

Chrome plated # 15.24.304-1
SS-lock # 15.24.304-5
Black matt # 15.24.304-4

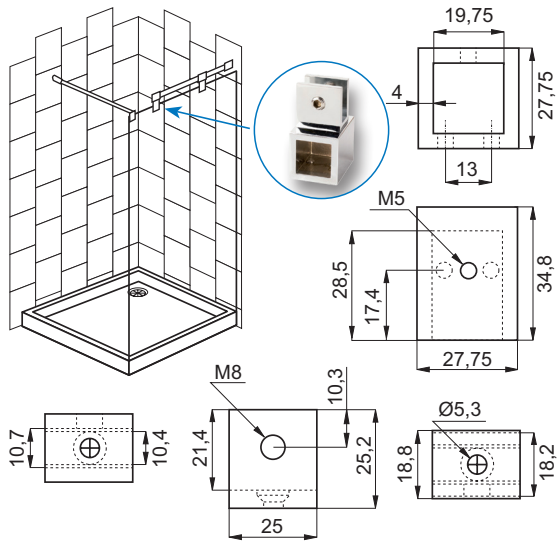


BAR TO GLASS END BRACKET F/SQUARE TUBE W/CLOSED BAR HOLE

Application
 Connection fitting for square shower bars
 No drilling required
 For 19 x 19 mm bar
 For glass thickness 8 - 10 mm

Material
 Brass

Finish
 Chrome plated # 15.24.301-1
 SS-look # 15.24.301-5
 Black matt # 15.24.301-4

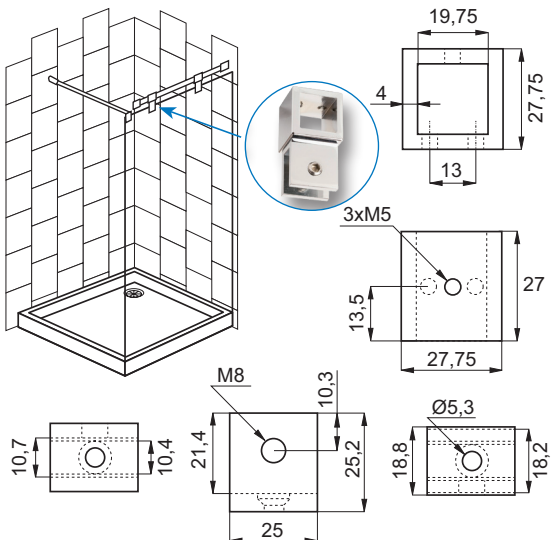


BAR TO GLASS BRACKET F/SQUARE TUBE W/OPEN BAR HOLE

Application
 Connection fitting for square shower bars
 No drilling required
 For 19 x 19 mm bar
 For glass thickness 8 - 10 mm

Material
 Brass

Finish
 Chrome plated # 15.24.305-0
 SS-look # 15.24.305-5
 Black matt # 15.24.305-4

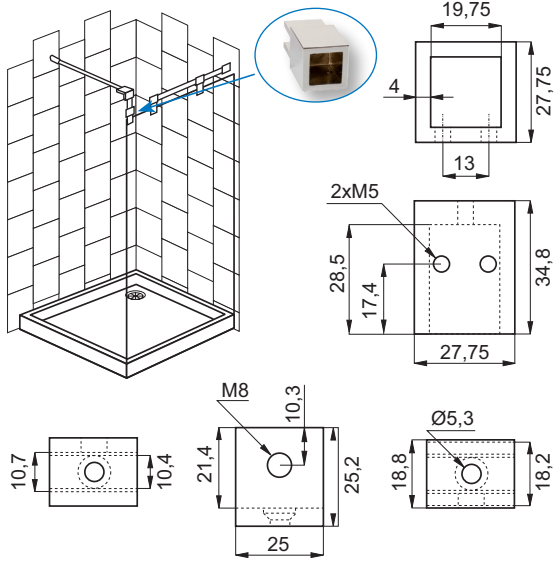


GLASS TO BAR CEILING CONNECTOR F/SQUARE TUBE

Application
 Connection fitting for square shower bars
 No drilling required
 For 19 x 19 mm bar
 For glass thickness 8 - 10 mm

Material
 Brass

Finish
 Chrome plated # 15.24.306-0
 SS-look # 15.24.306-5
 Black matt # 15.24.306-4



BAR TO BAR CENTRE BRACKET F/SQUARE TUBE

- high quality furniture fittings

Application

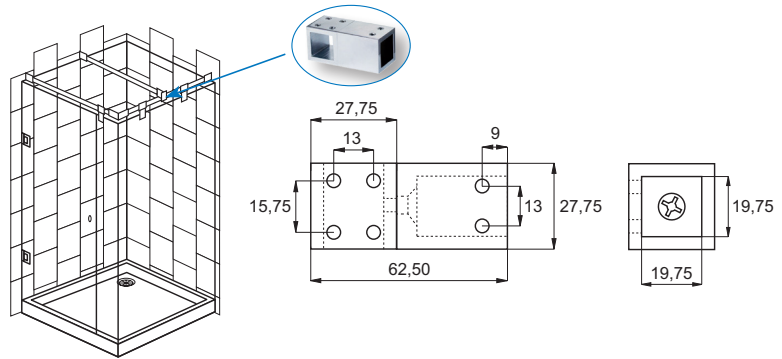
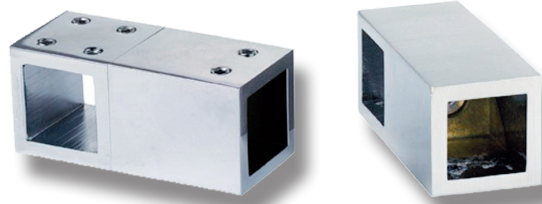
Connection fitting for square shower bars
No drilling required
For 19 x 19 mm bar
90° connection

Material

Brass

Finish

Chrome plated # 15.24.308-0
SS-look # 15.24.308-5
Black matt # 15.24.308-4



BAR TO BAR CONNECTOR 90° F/SQUARE TUBE

Application

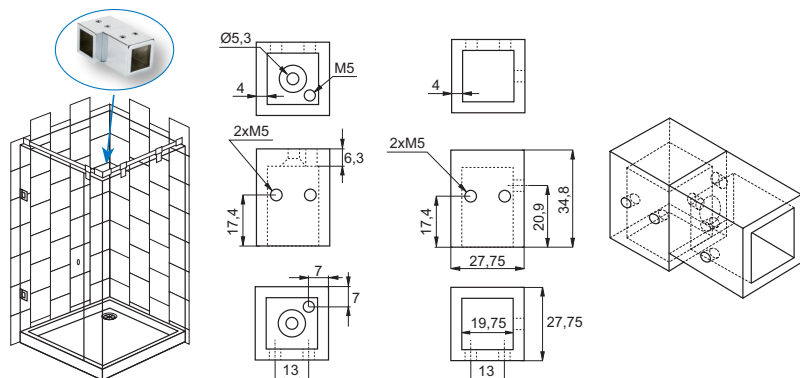
Connection fitting for square shower bars
No drilling required
For 19 x 19 mm bar
90° connection

Material

Brass

Finish

Chrome plated # 15.24.307-0
SS-look # 15.24.307-5
Black matt # 15.24.307-4



SQUARE TUBES F/SHOWERS IN SS-304

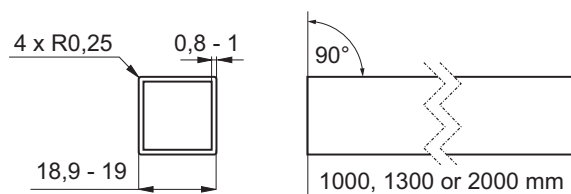
Material: SS-304 - Polished or Brushed

Size: 19 x 19 x 1000, 1300 or 2000 mm

Wall thickness: 0,8 mm

Item No.:

19 x 19 x 1000 x 0,8 mm - Polished	# 15.24.302-0
19 x 19 x 1300 x 0,8 mm - Polished	# 15.24.302-1
19 x 19 x 2000 x 0,8 mm - Polished	# 15.24.302-2
19 x 19 x 1000 x 0,8 mm - Brushed	# 15.24.302-5
19 x 19 x 1300 x 0,8 mm - Brushed	# 15.24.302-6
19 x 19 x 2000 x 0,8 mm - Brushed	# 15.24.302-7
19 x 19 x 1000 x 0,8 mm - Black matt	# 15.24.302-8
19 x 19 x 1300 x 0,8 mm - Black matt	# 15.24.302-4



FRAMELESS SHOWER DOOR HEADER SYSTEM "SPUTNIK"

SISO

DENMARK - high quality furniture fittings

Application

The Sputnik Header Kit system provides additional support & a level of safety while securing glass panels not reaching the ceiling.

May be used on 8 - 12 mm glass.

For 8 & 10 mm glass PVC seal is needed.

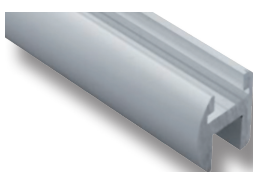
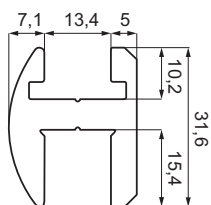
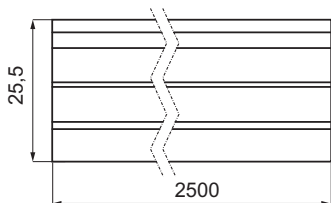
May be used together with pivot hinge Lodz. Adaptor is needed.

ALU. HEADER PROFILE

Material: Aluminum - polished

Length: 2500 mm

Item No.: # 28.25.315

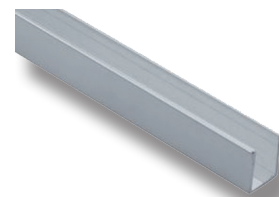
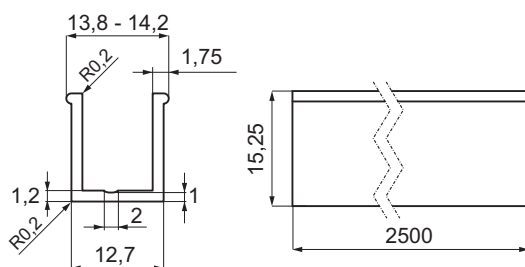


COVER INSERT PROFILE

Material: Aluminum - polished

Length: 2500 mm

Item No.: # 28.25.316



PVC SEAL FOR HEADER PROFILE

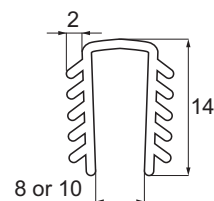
Material: PVC - clear

Length: 2500 mm

Item No.:

8 mm glass # 15.22.340

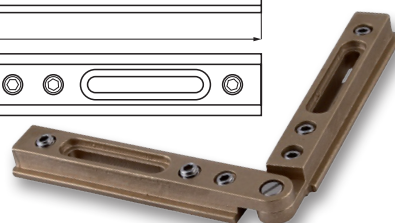
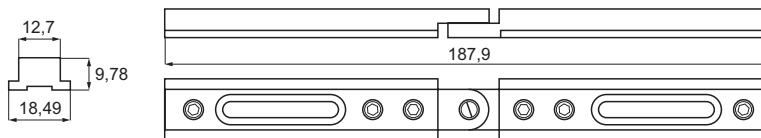
10 mm glass # 15.22.341



ADJUSTABLE CORNER BRACKET

Material: Brass - natural

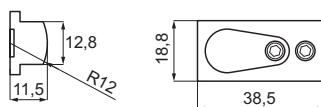
Item No.: # 28.25.320



WALL MOUNTING BRACKET

Material: Brass - natural

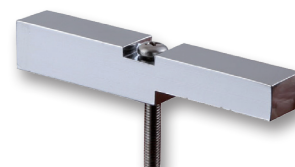
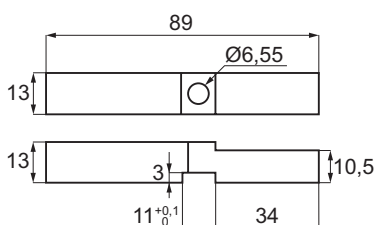
Item No.: # 28.25.321



PIVOT HINGE ADAPTER BLOCK

Material: Brass - chrome plated

Item No.: # 28.25.322



DOOR KNOB "WIEN"

- high quality furniture fittings

Material

Brass

Size: $\varnothing 30 \times 30$ mm

Bore hole: $\varnothing 10$ mm

Glass thickness: 6 - 12 mm

Chrome Plated # 15.24.045-1

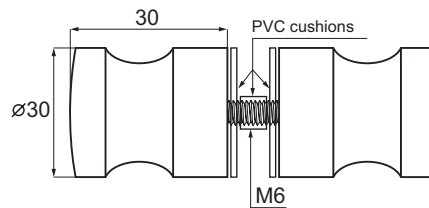
SS-look # 15.24.046-1

Alu-look # 15.24.047-1

Black matt # 15.24.045-5

Polished Brass # 15.24.048-0

Brushed Brass # 15.24.049-0



DOOR KNOB "CORK"

Material

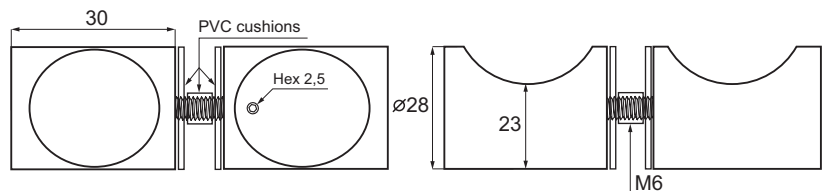
Brass

Size: $\varnothing 28 \times 30$ mm

Bore hole: $\varnothing 10$ mm

Glass thickness: 6 - 12 mm

Chrome plated # 15.24.065



DOOR KNOB "PARIS"

Material

Brass

Size: $\varnothing 35 \times 42$ mm

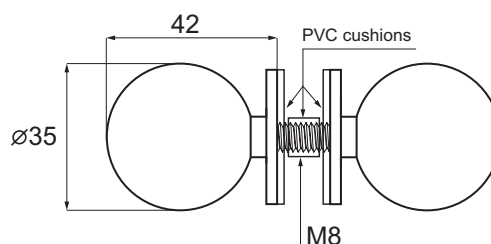
Bore hole: $\varnothing 12$ mm

Glass thickness: 8 - 12 mm

SS-look # 15.24.081

Chrome plated # 15.24.080

Alu-look # 15.24.082

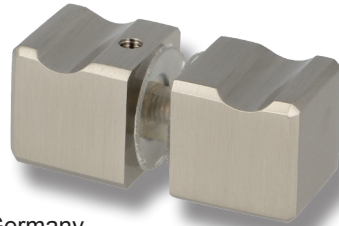


DOOR KNOB "OSLO"

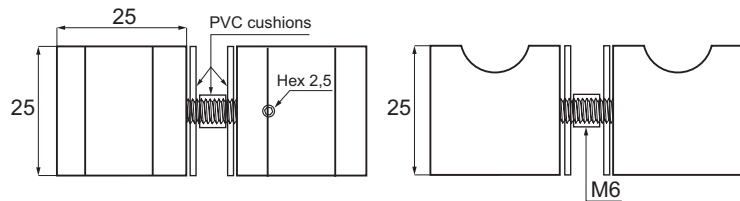
Material
Brass

Size: 25 x 25 mm
Bore hole: \varnothing 10 mm
Glass thickness: 6 - 12 mm

SS-look	# 15.14.035-1
Chrome plated	# 15.24.036-1
Black matt	# 15.24.036-4
Polished Brass	# 15.24.036-8
Alu-look	# 15.24.037-9



Not for sale in Germany

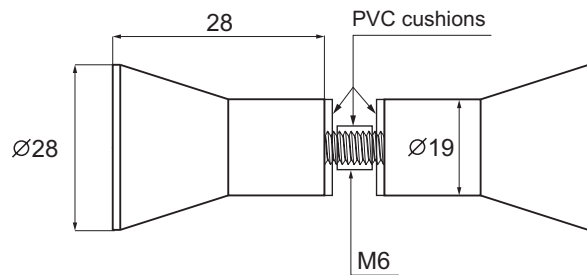


DOOR KNOB "PORTO"

Material
Brass

Size: \varnothing 28 x 28 mm
Bore hole: \varnothing 10 mm
Glass thickness: 6 - 12 mm

SS-look	# 15.24.041
Chrome plated	# 15.24.040-1
Black Matt	# 15.24.040-4
Alu-look	# 15.24.042

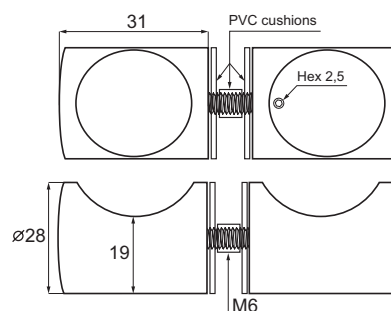
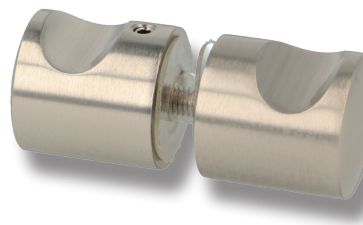


DOOR KNOB "HAAG"

Material
Brass

Size: \varnothing 28 x 31 mm
Bore hole: \varnothing 10 mm
Glass thickness: 6 - 12 mm

SS-look	# 15.14.030-1
Chrome plated	# 15.24.031-2
Black matt	# 15.24.031-4
Polished Brass	# 15.24.031-8
Alu-look	# 15.24.032-0



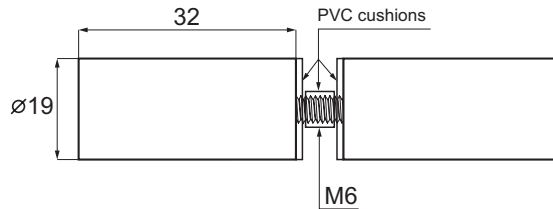
DOOR KNOB "LYON"

- high quality furniture fittings

Material
Brass

Size: Ø19 x 32 mm
Bore hole: Ø10 mm
Glass thickness: 6 - 12 mm

Chrome plated # 15.24.085

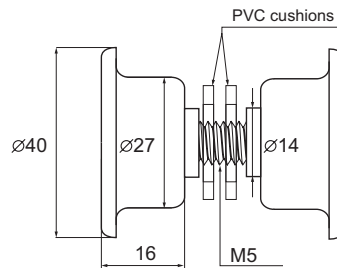


DOOR KNOB "KIEL"

Material
Brass

Size: Ø40 x 16 mm
Bore hole: Ø10 mm
Glass thickness: 6 - 12 mm

Chrome plated # 15.24.090-2
Black matt # 15.24.090-5
SS-look # 15.24.091-2
Alu-look # 15.24.092-1
Polished Brass # 15.24.093-1
Brushed Brass # 15.24.093-5

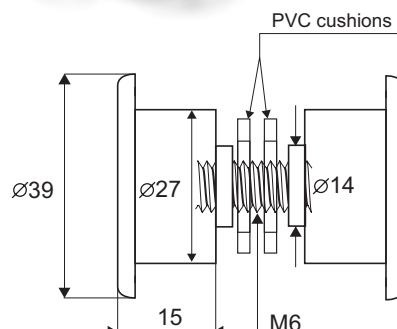


DOOR KNOB "KIEL" – ABS MATERIAL

Material
ABS plastic

Size: ø39 mm
Bore hole: ø15 mm
Glass thickness: 6 – 12 mm

Finish
Chrome plated # 15.24.088-0
Black matt # 15.24.088-4

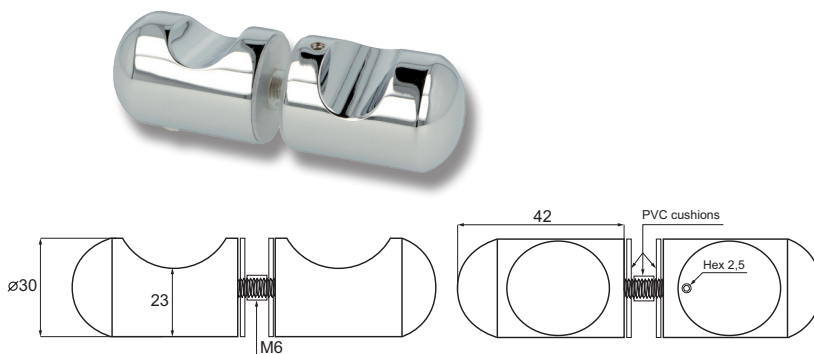


DOOR KNOB "EUTIN"

Material
Brass

Size: Ø30 x 42 mm
Bore hole: Ø10 mm
Glass thickness: 6 - 12 mm

Chrome plated # 15.24.095



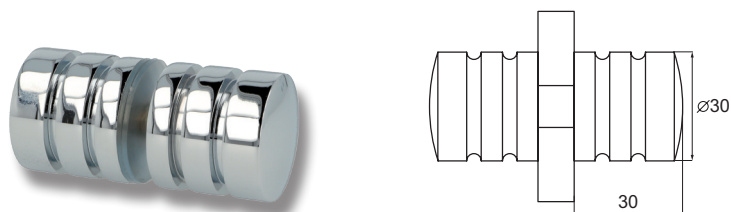
DOOR KNOB "METZ"

Material
Brass

Size: Ø30 x 30 mm
Bore hole: Ø10 mm
Glass thickness: 6 - 12 mm

Finish

Chrome plated # 15.24.039-0
Black matt # 15.24.039-4
SS-look # 15.24.039-5
Polished Brass # 15.24.039-8



TOWEL BAR HANDLE "LOIRE"

Application:

For shower doors. Drilling required

Material:

Hollow stainless steel bar SS304, polished

Bore hole: Ø12 mm

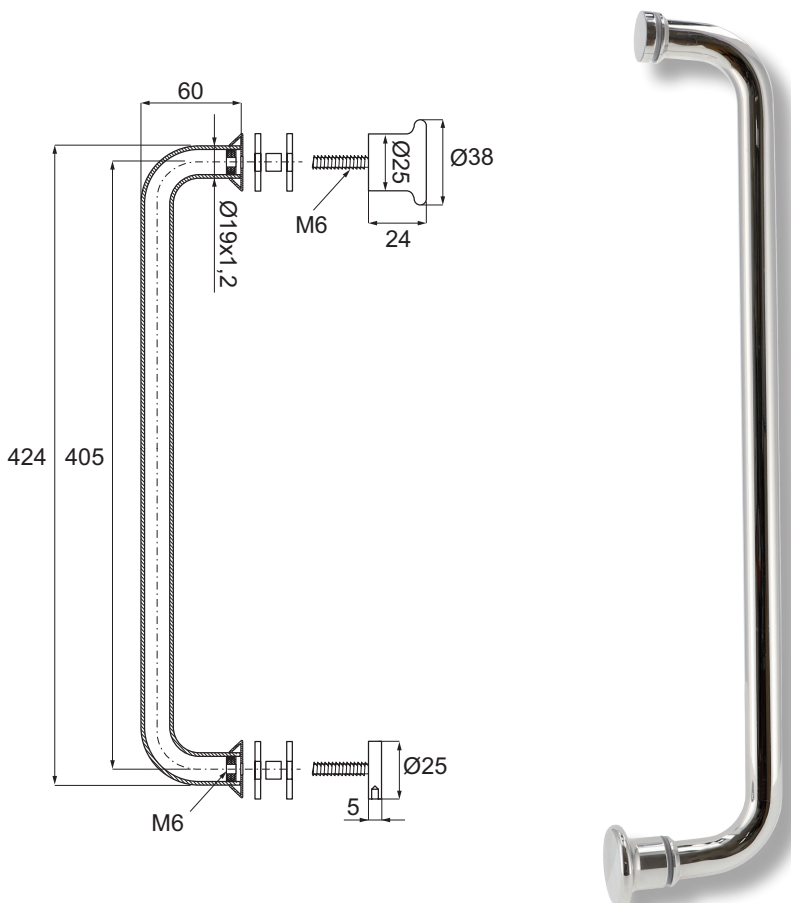
Glass thickness: 8 - 12 mm

Size:

Ø19 x 424 mm, cc: 405 mm

Polished # 17.87.122-0

Black matt # 17.87.122-4



DOOR BAR HANDLE LOCKS SS-304 F/GLASS DOORS

- high quality furniture fittings



Application

For locking of glass doors by use of key or turn knob. Suitable for 8-12 mm glass

Specifications

Bar handle $\varnothing 35 \times 1500$ mm

Incl. floor socket w/spring dust cover

Cylinder with 5 SISO metal keys or turn knob

5000 KD on cylinder version

Material

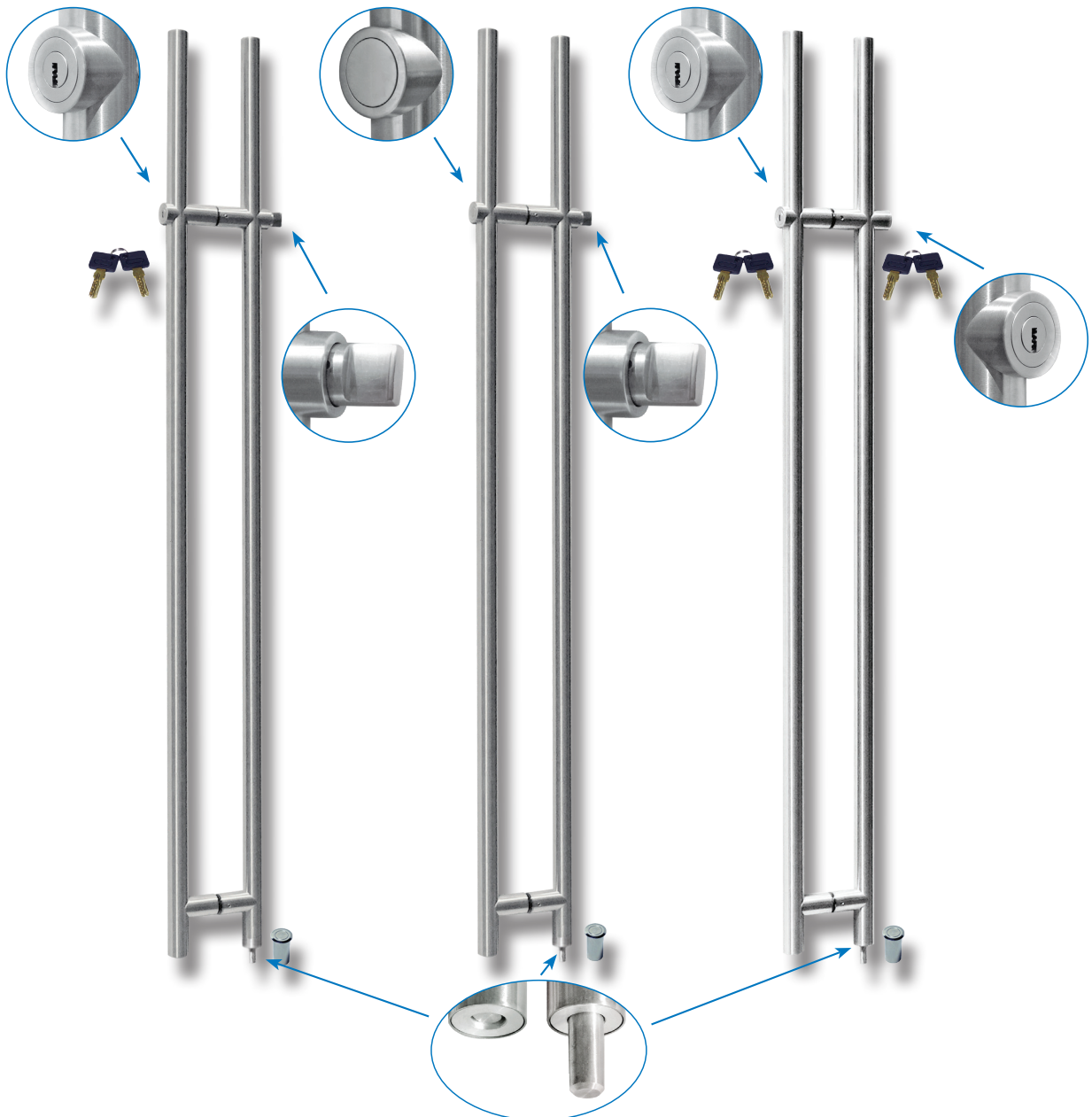
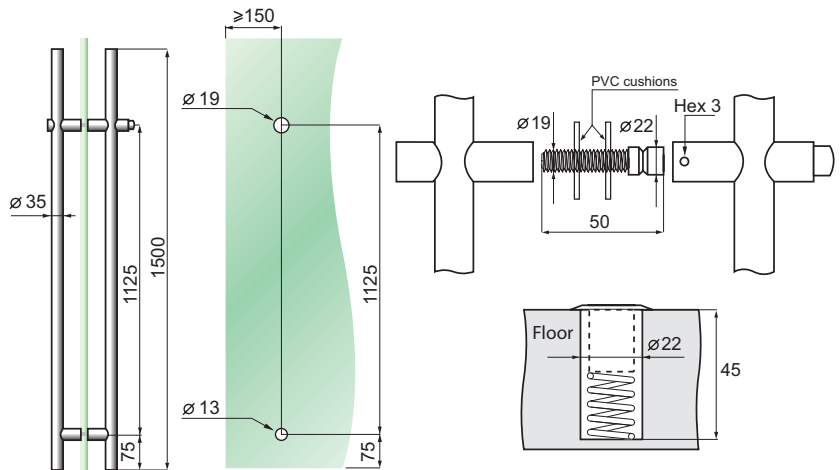
Stainless steel SS-304 - brushed

Item No:

W/cylinder & knob # 14.60.600

W/knob on one side # 14.60.610

W/cylinder on 2 sides # 14.60.615



GLASS DOOR BAR HANDLE SS-304 "ODER"

Application:

For glass doors, drilling required

Material:

Hollow stainless steel tube 304, brushed or black matt

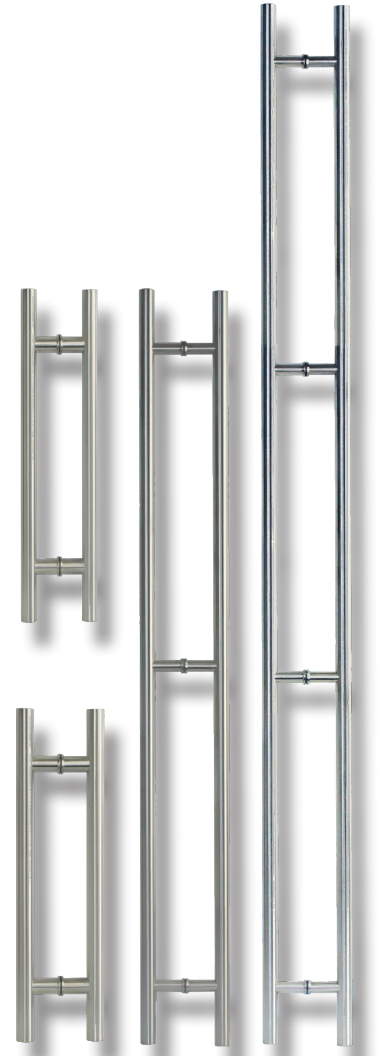
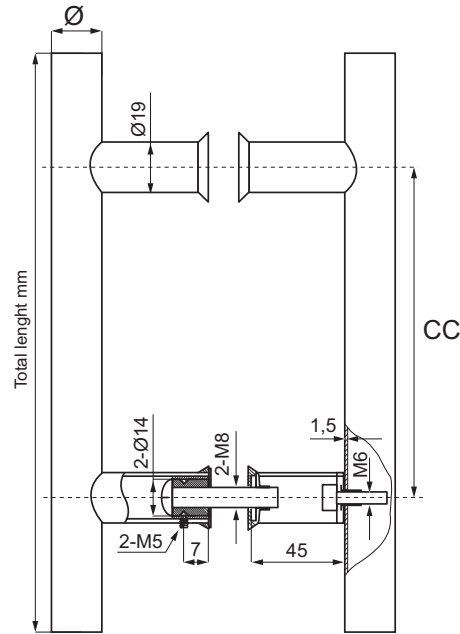
Bore hole: Ø12 mm

Glass thickness: 8-12 mm

Item No:

Ø25 x 300 mm, cc: 200 mm - brushed	# 17.87.000-1
Ø25 x 300 mm, cc: 200 mm - black matt	# 17.87.000-4
Ø25 x 350 mm, cc: 150 mm - brushed	# 17.87.002-0
Ø25 x 400 mm, cc: 300 mm - brushed	# 17.87.006-1
Ø25 x 400 mm, cc: 300 mm - black matt	# 17.87.006-4
Ø25 x 400 mm, cc: 300 mm - polished brass	# 17.87.005-8
Ø25 x 500 mm, cc: 350 mm - brushed	# 17.87.003-0
Ø25 x 500 mm, cc: 350 mm - black matt	# 17.87.003-4
Ø25 x 710 mm, cc: 520 mm - brushed	# 17.87.007-0
Ø25 x 710 mm, cc: 520 mm - black matt	# 17.87.007-4
Ø25 x 1000 mm, cc: 600 mm - brushed	# 17.87.030-1
Ø25 x 1500 mm, cc: 870 mm - brushed	# 17.87.031-0
Ø25 x 1230 mm, cc:520-520 mm - brushed	# 17.87.008-0
Ø25 x 1750 mm, cc:520-520-520 mm - brushed	# 17.87.009-0
Ø32 x 450 mm, cc: 300 mm - brushed	# 17.87.010-1
Ø32 x 450 mm, cc: 300 mm - black matt	# 17.87.010-4
Ø32 x 450mm, cc: 300 mm - polished brass	# 17.87.010-8
Ø32 x 550 mm, cc: 400 mm - brushed	# 17.87.016-1
Ø32 x 600 mm, cc: 400 mm - brushed	# 17.87.020-1

Inclusive transparent tube & washers



DOOR D-HANDLE SS-304 "MAIN"

Application

For glass doors
Drilling required

Material

Hollow stainless steel tube 304

Bore hole: Ø12 mm

Glass thickness: 8 - 12 mm

Ø25 x 330 mm, c.c.: 305 mm, H: 74 mm

Polished # 17.87.090

Brushed # 17.87.091

Ø25 x 465 mm, c.c.: 450 mm, H: 74 mm

Polished # 17.87.094

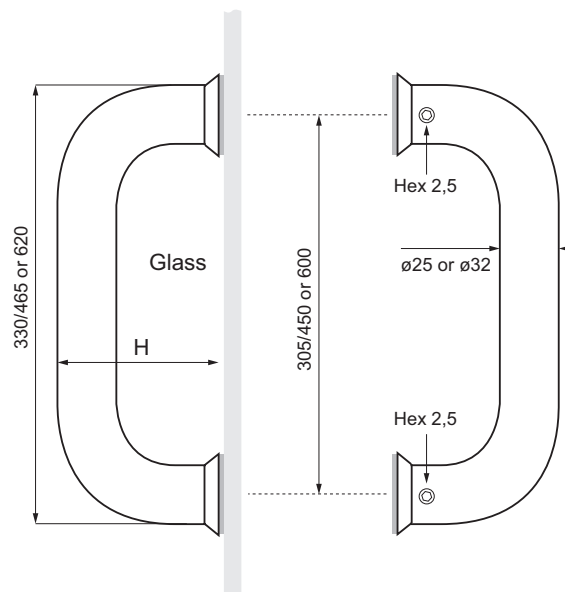
Brushed # 17.87.095

Ø32 x 632 mm, c.c.: 600 mm, H: 82 mm

Polished # 17.87.101

Brushed # 17.87.102

Inclusive transparent tube & washers



DOOR HANDLE SS-304 "TAJO"

- high quality furniture fittings

Application:

For glass doors. Drilling required

Material:

Hollow stainless steel bar SS304, brushed or polished

Bore hole: $\varnothing 12$ mm

Glass thickness: 8 - 12 mm

Size:

25 x 25 x 325 mm, cc: 300 mm

Brushed # 17.87.060-0

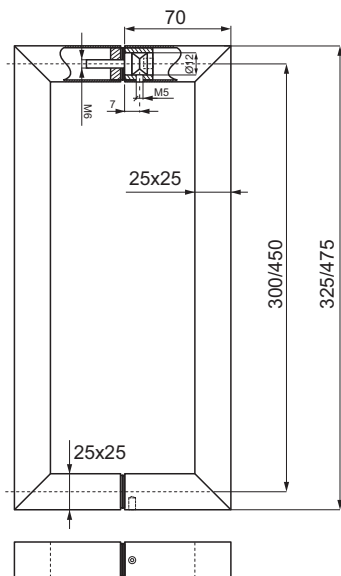
Black Matt # 17.87.060-4

Polished # 17.87.061-0

25 x 25 x 475 mm, cc: 450 mm

Brushed # 17.87.062

Polished # 17.87.063



DOOR HANDLE SS-304 "SAVA"

Application:

For glass doors. Drilling required

Material:

Hollow stainless steel bar SS304, brushed or polished

Bore hole: $\varnothing 12$ mm

Glass thickness: 8 - 12 mm

Size:

19 x 19 x 350 mm, cc: 250 mm

Brushed # 17.87.070

Polished # 17.87.071

25 x 25 x 500 mm, cc: 350 mm

Brushed # 17.87.072

Polished # 17.87.073

25 x 25 x 750 mm, cc: 600 mm

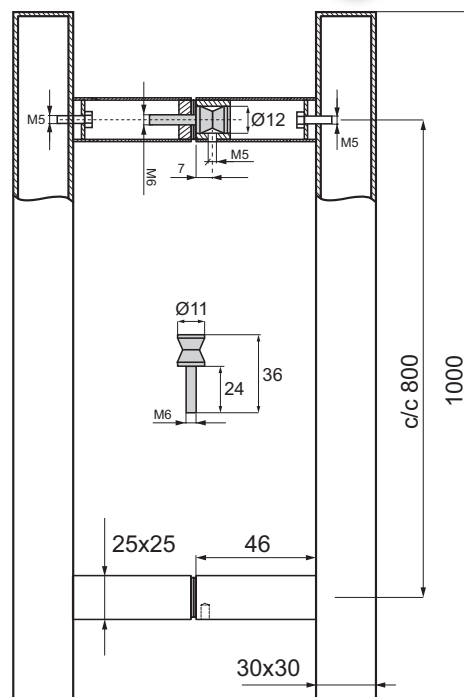
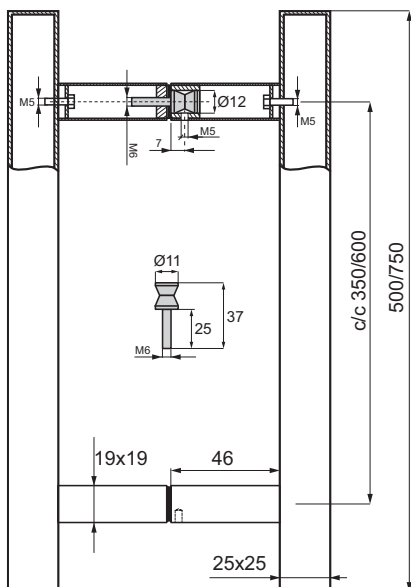
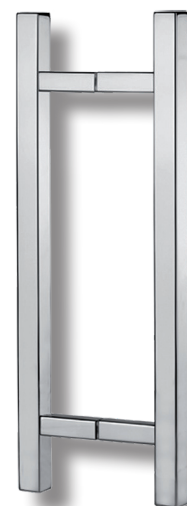
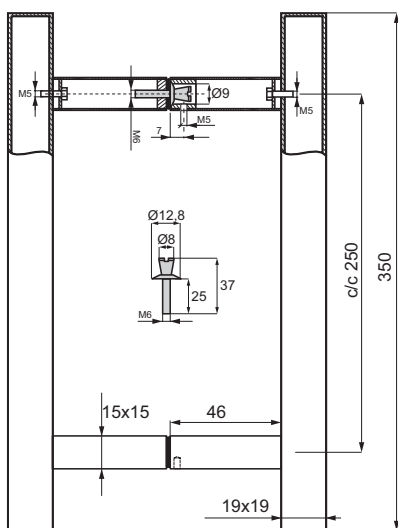
Brushed # 17.87.074

Polished # 17.87.075

30 x 30 x 1000 mm, cc: 800 mm

Brushed # 17.87.076

Polished # 17.87.077



DOOR HANDLE SS-304 "PO"

Application:

For glass doors. Drilling required

Material:

Hollow stainless steel tube 304

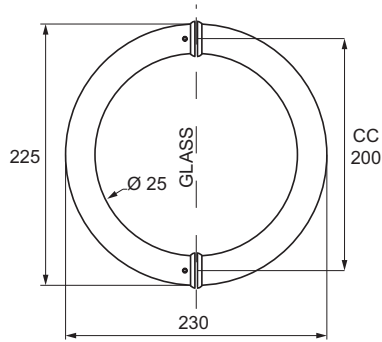
Bore hole: \varnothing 12 mm

Glass thickness: 8 -12 mm

\varnothing 25 x 225 mm c.c.: 200 mm

Polished # 17.87.119

Inclusive transparent tube & washers



DOOR HANDLE SS-304 "RHINE"

Application:

For glass doors. Drilling required

Material:

Hollow stainless steel tube SS304, brushed

Bore hole: \varnothing 8 mm

Glass thickness: 8 -12 mm

Item No.:

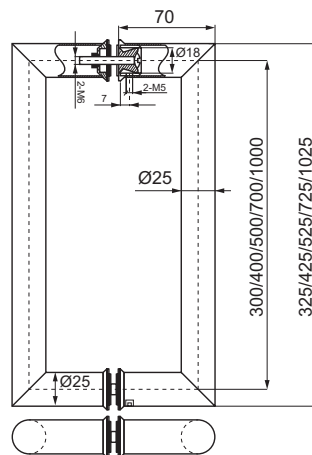
\varnothing 25 x 325 mm, cc: 300 mm # 17.87.035

\varnothing 25 x 425 mm, cc: 400 mm # 17.87.036

\varnothing 25 x 525 mm, cc: 500 mm # 17.87.037

\varnothing 25 x 725 mm, cc: 700 mm # 17.87.038

\varnothing 25 x 1025 mm, cc: 1000 mm # 17.87.039



DOOR HANDLE SS-304 "ELBE"

Application:

For glass doors. Drilling required.
Only to be pulled/pushed from one side.

Material:

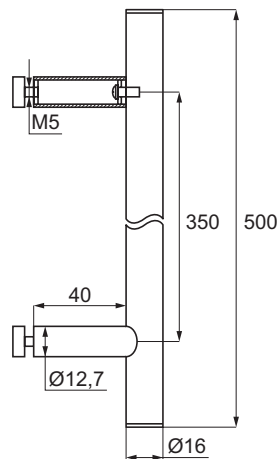
Hollow stainless steel tube SS304, polished

Bore hole: \varnothing 8 mm

Glass thickness: 6 -12 mm

Item No.:

\varnothing 16 x 500 mm, cc: 350 mm # 17.87.050



DOOR HANDLE SS-304 "THAMES"

Application:

For glass doors. Drilling required.

Material:

Hollow stainless steel tube SS304, brushed

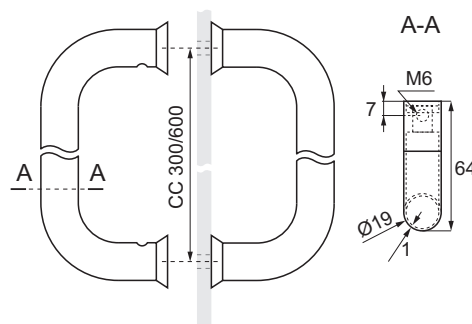
Bore hole: \varnothing 8 mm

Glass thickness: 8 -12 mm

Item No.:

\varnothing 19 x 320 mm, cc: 300 mm # 17.87.055

\varnothing 19 x 620 mm, cc: 600 mm # 17.87.057



DOOR HANDLE "DRAVA"

- high quality furniture fittings

Applications
For glass doors, drilling required

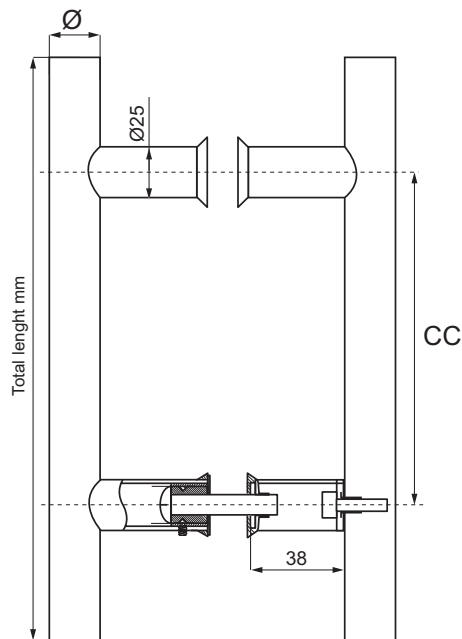
Material
Stainless steel SS304 & beech wood

Bore hole: $\varnothing 12$ mm
Glass thickness: 8 – 12 mm

Brushed SS-304/Beech wood - lacquered:
 $\varnothing 25 \times 400$ mm, cc: 300 mm # 17.87.054-0
 $\varnothing 32 \times 450$ mm, cc: 300 mm # 17.87.052-0
 $\varnothing 32 \times 500$ mm, cc: 300 mm # 17.87.053-0

Black matt SS-304/Beach wood – black matt:
 $\varnothing 32 \times 500$ mm, cc: 300 mm # 17.87.053-5

Inclusive transparent tube & washers



DOOR HANDLE "WISLA"

Applications
For glass doors, drilling required

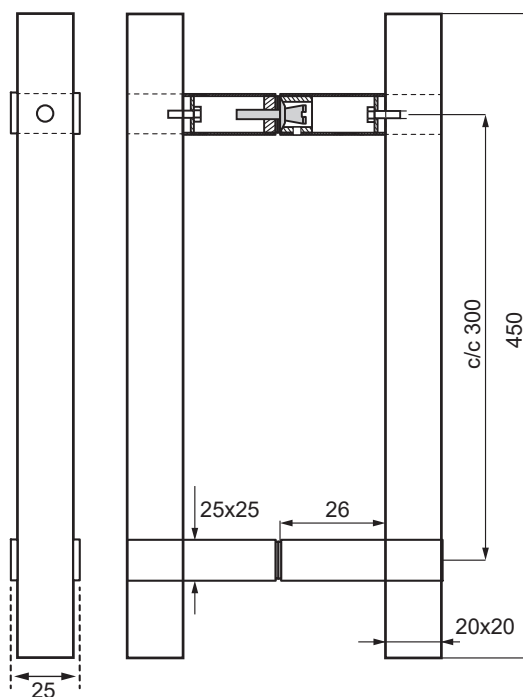
Material
Stainless steel SS304 & beech wood

Size: 20 x 20 x 450 mm, cc: 300 mm
Bore hole: $\varnothing 10$ mm
Glass thickness: 8 – 12 mm

Item No.:
Polished SS-304/Beech wood - lacquered:
20x20x450 mm, cc: 300 mm # 17.87.048

Brushed SS-304/Beech wood - lacquered:
20x20x450 mm, cc: 300 mm # 17.87.049

Inclusive transparent tube & washers



PVC SEALS FOR SHOWER DOORS

6 - 12 MM GLASS

Glass to Glass S-5700

90°

6 mm glass: A - 9,6 mm
8 mm glass: A - 10,6 mm
10 mm glass: A - 13,3 mm
12 mm glass: A - 14 mm

6 mm 2,5 meter 15.22.251
8 mm 2,5 meter 15.22.252
10 mm 2,5 meter 15.22.253
12 mm 2,5 meter 15.22.254

Glass to Floor S-5701

6 mm 2,5 meter 15.22.260
8 mm 2,5 meter 15.22.261
10 mm 2,5 meter 15.22.262
12 mm 2,5 meter 15.22.263

Glass to Floor S-5702

6 mm 2,5 meter 15.22.265
8 mm 2,5 meter 15.22.266
10 mm 2,5 meter 15.22.267
12 mm 2,5 meter 15.22.268

Glass to Glass S-5703

135°

6 mm glass A - 9,6 mm
8 mm glass A - 10,6 mm
10 mm glass A - 13,3 mm
12 mm glass A - 14,0 mm

6 mm 2,5 meter 15.22.270
8 mm 2,5 meter 15.22.271
10 mm 2,5 meter 15.22.272
12 mm 2,5 meter 15.22.273

Glass to Glass S-5704

90°

6 mm glass: A - 6 mm
8 mm glass: A - 8 mm
10 mm glass: A - 10 mm
12 mm glass: A - 11 mm

6 mm 2,5 meter 15.22.275
8 mm 2,5 meter 15.22.276
10 mm 2,5 meter 15.22.277
12 mm 2,5 meter 15.22.278

Glass to Glass S-5705

180°

6 mm 2,5 meter 15.22.280
8 mm 2,5 meter 15.22.281
10 mm 2,5 meter 15.22.282
12 mm 2,5 meter 15.22.283

Glass to Floor S-5714

6 mm 2,5 meter 15.22.320
8 mm 2,5 meter 15.22.321
10 mm 2,5 meter 15.22.322
12 mm 2,5 meter 15.22.323

Glass to Glass S-5706

180°

Glass: A B

6 mm 8,5 mm 11,0 mm
8 mm 8,0 mm 12,0 mm
10 mm 10,0 mm 12,5 mm
12 mm 11,5 mm 13,0 mm

6 mm 2,5 meter 15.22.285
8 mm 2,5 meter 15.22.286
10 mm 2,5 meter 15.22.287
12 mm 2,5 meter 15.22.288

Glass to Floor S-5707

6 mm 2,5 meter 15.22.290
8 mm 2,5 meter 15.22.291
10 mm 2,5 meter 15.22.292
12 mm 2,5 meter 15.22.293

Glass to Floor S-5708

6 mm 2,5 meter 15.22.295
8 mm 2,5 meter 15.22.296
10 mm 2,5 meter 15.22.297
12 mm 2,5 meter 15.22.298

Glass to Floor S-5715

6 mm 2,5 meter 15.22.324
8 mm 2,5 meter 15.22.325
10 mm 2,5 meter 15.22.326
12 mm 2,5 meter 15.22.327

Glass to Floor S-5709

6 mm 2,5 meter 15.22.300
8 mm 2,5 meter 15.22.301
10 mm 2,5 meter 15.22.302
12 mm 2,5 meter 15.22.303

Glass to Glass S-5711

90° w/magnet

180° w/magnet

Glass thickness	Length	Item No.	A	B	C	D
6	2,5 m	15.22.305	15	6,2	9	21
8	2,5 m	15.22.306	17	8,5	10	23
10	2,5 m	15.22.307	18	10,5	11,5	25
12	2,5 m	15.22.308	18	12	11,5	23

Glass to Glass S-5712

135° w/magnet

6 mm 2,5 meter 15.22.310
8 mm 2,5 meter 15.22.311
10 mm 2,5 meter 15.22.312
12 mm 2,5 meter 15.22.313

PVC SEALS FOR SHOWER DOORS

6 - 12 MM GLASS

- high quality furniture fittings



Glass to Floor S-5720

6 mm glass: A - 12 mm
8 mm glass: A - 13 mm
10 mm glass: A - 13,7 mm
12 mm glass: A - 13,8 mm

6 mm 2,5 meter 15.22.350
8 mm 2,5 meter 15.22.351
10 mm 2,5 meter 15.22.352
12 mm 2,5 meter 15.22.353

Glass to Floor S-5722

6 mm glass: A - 10 mm
8 mm glass: A - 11 mm
10 mm glass: A - 12 mm
12 mm glass: A - 13 mm

6 mm 2,5 meter 15.22.354
8 mm 2,5 meter 15.22.355
10 mm 2,5 meter 15.22.356
12 mm 2,5 meter 15.22.357

PVC SEALS W/ADHESIVE TAPE 8 -12 MM GLASS

Glass to Floor ADH01 - Clear

8 -12 mm 2,5 meter 15.22.100

Glass to Floor ADH02 - Clear

8 - 12 mm 2,5 meter 15.22.110

Glass to Floor ADH03 - Clear

8 - 12 mm 2,5 meter 15.22.120

Glass to Floor ADH04 - Frosted

8 - 12 mm 2,5 meter 15.22.130

Glass to Floor ADH05 - Frosted

8 - 12 mm 2,5 meter 15.22.140

Glass to Glass ADH06 - W/magnet - 90° - Frosted

8 - 12 mm 2,5 meter 15.22.150

Glass to Glass ADH07 - W/magnet - 180° - Frosted

8 - 12 mm 2,5 meter 15.22.160

Application:

To be used with 8 mm magnetic PVC seal

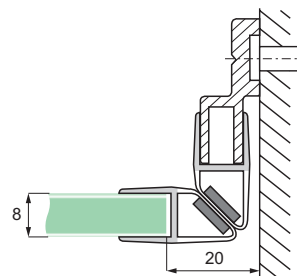
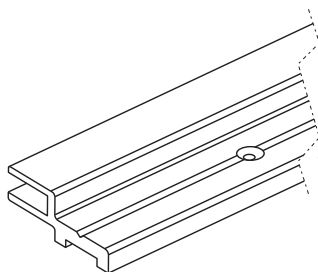
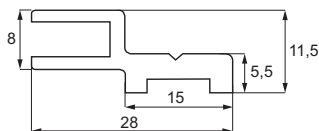
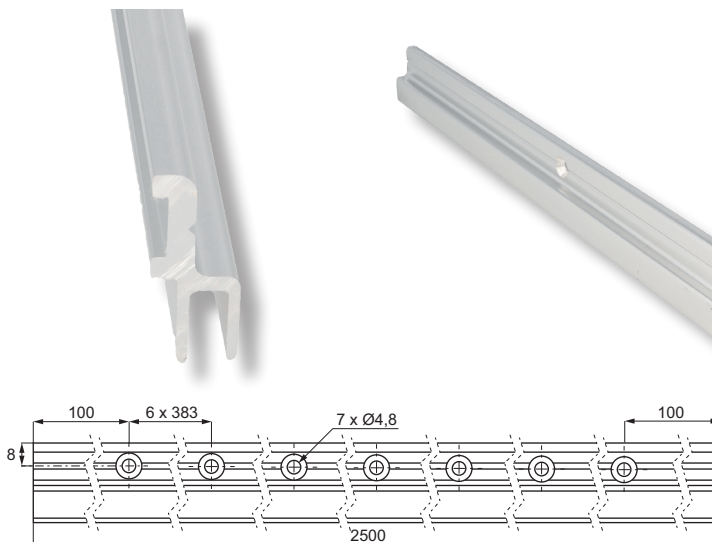
Size: 28 x 11,5 x 2500 mm

Finish: Polished aluminum

Item No.: # 15.23.200

Incl.:

7 x CSK SS-304 Screws \varnothing 4,2 x 38 mm
& 7 x wall plugs



ACRYLIC GLASS CONNECTING PROFILES

Application:

To connect glass plates.
W/Adhesive tape

Material:

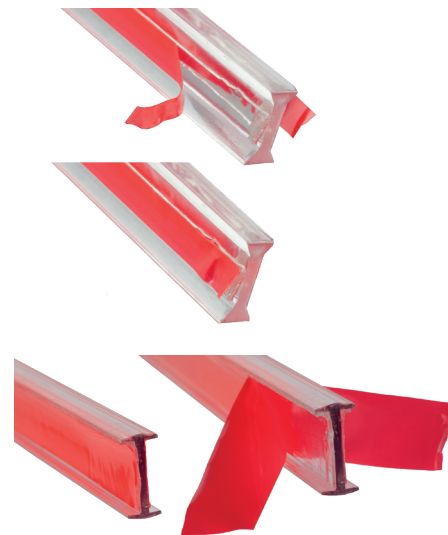
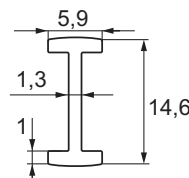
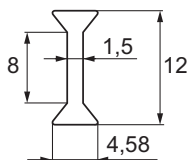
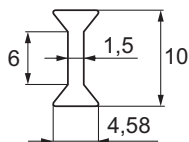
Transparent acrylic

Size:

3000 mm length

Item No.:

- F/10 mm glass # 15.22.402
- F/12 mm glass # 15.22.403-0
- F/12,76 mm glass # 15.22.403-9
- F/12 mm glass - I-shape # 15.22.404



ACRYLIC SEALING PROFILE

Features:

To be used together in showers with PVC seals

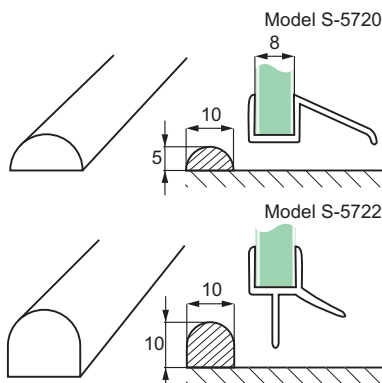
Material: Transparent acrylic

Size:

- 5 x 10 x 2500 mm
- 10 x 10 x 2500 mm

Item No.:

- 5 mm height # 15.22.400
- 10 mm height # 15.22.401



ALUMINIUM U-CHANNELS FOR GLASS

- high quality furniture fittings



Description:

U-channel for 6, 8, 10 or 12 mm glass

Material: Aluminium

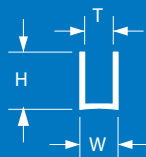
Size (W/H/T):

F/6 mm glass (8,2 x 12 x 6,2 mm)

F/8 mm glass (10,2 x 12 x 8 mm) or (13 x 19 x 8,4 mm)

F/10 mm glass (14,2 x 19 x 10,2 mm)

F/12 mm glass (16,2 x 19 x 12,2 mm)

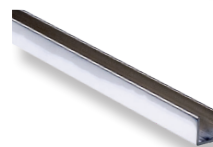


Item No.:

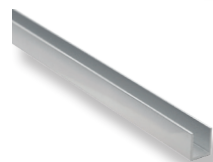
F/6 mm glass, polished aluminium, 2,5 meters	# 15.22.500-0
F/6 mm glass, brushed aluminium, 2,5 meters	# 15.22.501-1
F/6 mm glass, black anodized, 2,5 meters	# 15.22.500-3
F/8 mm glass, mirror CPL, 2,6 mtr. (13 x 19 x 8,4 mm)	# 15.23.504-6
F/8 mm glass, brushed aluminium, 2,5 meters	# 15.22.506-0
F/8 mm glass, polished aluminium 2,5 mtr. (13 x 12 x 8,6 mm)	# 15.22.507-1
F/8 mm glass, black anodized, 2,5 meters	# 15.22.506-5
F/8 mm glass, polished brass, 2,0 meters	# 15.22.505-6
F/8 mm glass, brushed brass, 2,5 meters	# 15.22.505-9
F/10 mm glass, mirror chrome plated, 2,6 meters	# 15.23.509-2
F/10 mm glass, polished aluminium, 3,0 meters	# 15.23.513-3
F/10 mm glass, brushed aluminium, 3,0 meters	# 15.23.513-5
F/10 mm glass, silver anodized 3,0 meters	# 15.23.513-0
F/10 mm glass, black anodized, 3,0 meters	# 15.23.513-4
F/10 mm glass, polished brass, 3,0 meters	# 15.23.513-8
F/10 mm glass, brushed brass, 3,0 meters	# 15.23.513-7
F/12 mm glass, polished aluminium, 2,5 meters	# 15.22.515-1
F/12 mm glass, brushed aluminium, 2,5 meters	# 15.22.516-0
F/12 mm glass, black anodized, 2,5 meters	# 15.22.517-1



Brushed aluminium



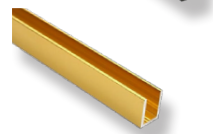
Mirror chrome plated



Polished aluminium



Black anodized



Polished brass



Brushed brass

FLAT ALUMINUM BAR W/GROOVE

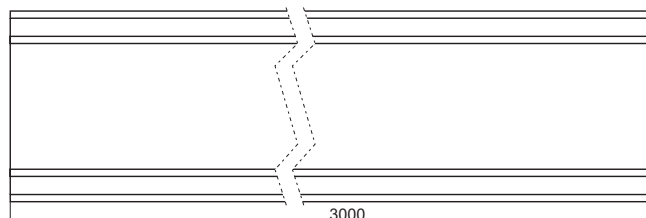
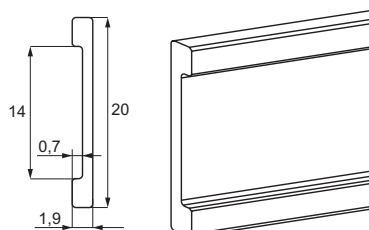
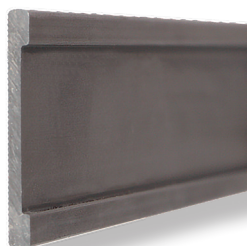
Application:

To be used for New Yorker style doors together with U-channels

Size: 20 x 3000 x 1,9 mm

Finish: Black anodized

Item No.: # 15.22.530



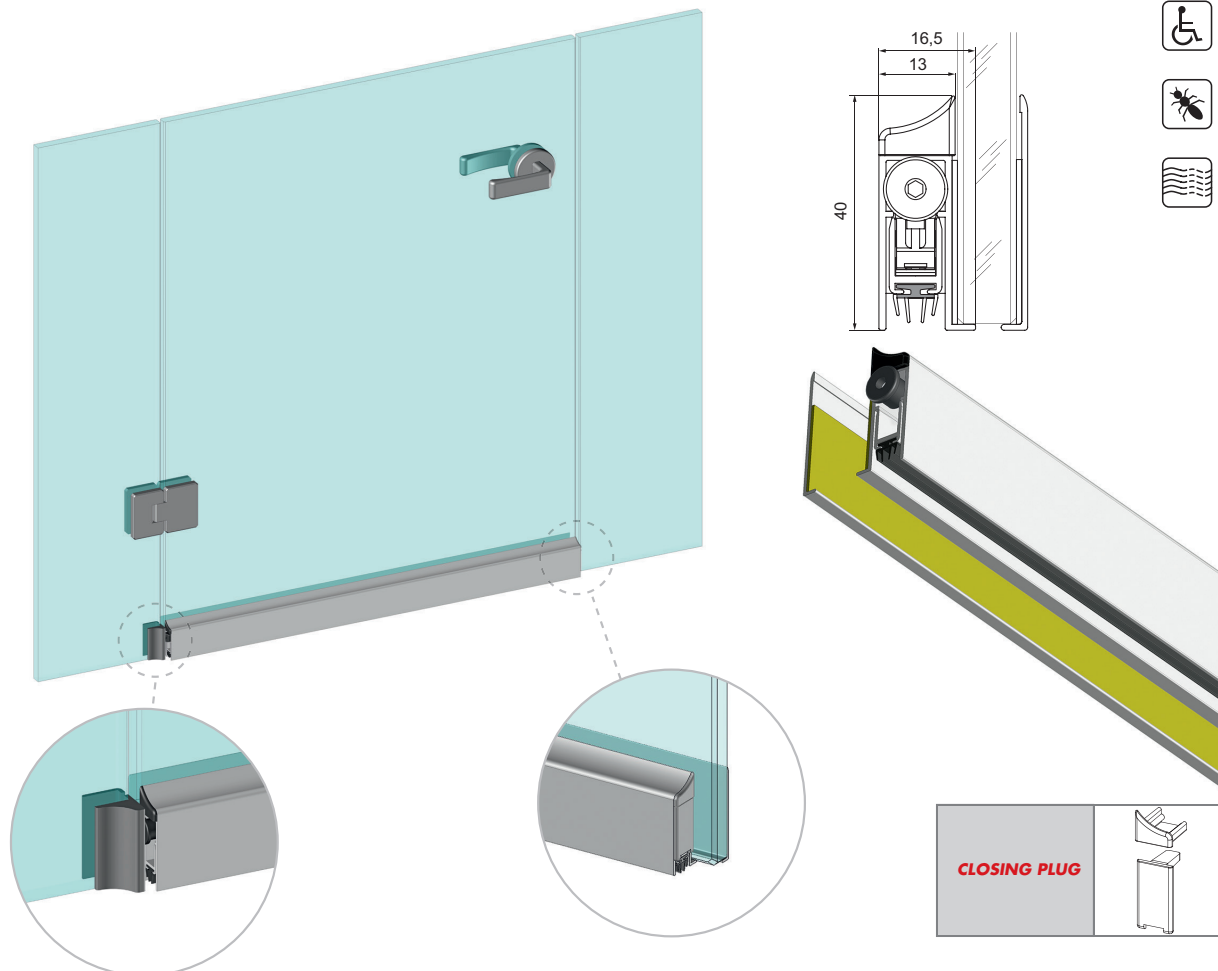
DROP DOWN PROFILE F/HINGED DOORS F/AFTER MOUNTING

SISO

DENMARK - high quality furniture fittings

Application

This door bottom profile closes the gap between the hinged glass door bottom and the floor. It is easy to install. Perfect especially for installation on existing glass doors. Because of the graduated scissor action of the mechanism, the seal adapt itself to all kinds of floors, even if not perfectly linear. The system is finished with elegant end caps and rear cover that hides the application of adhesive on the opposite side.



Material:

Profile in aluminium. End caps & plunger activator in PA.

4 fins seal (A) in thermoplastic (for uneven surfaces)

Seal (B) in silicone (for even surfaces)

Brush (D) in polypropylene (for uneven surfaces)

Installation:

With high-strength double sided adhesive tape. No drilling in glass required.

Item No:

Anodized - 630 mm - w/seal A	# 15.22.635
Anodized - 830 mm - w/seal A	# 15.22.649-9
Anodized - 930 mm - w/seal A	# 15.22.650-9
Anodized - 1030 mm - w/seal A	# 15.22.652

Item No:

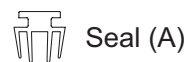
Anodized - 730 mm - w/seal B	# 15.22.637
Anodized - 830 mm - w/seal B	# 15.22.649-0
Anodized - 930 mm - w/seal B	# 15.22.650-0
Anodized - 1030 mm - w/seal B	# 15.22.651

Item No:

Anodized - 830 mm - w/brush D	# 15.22.639
Anodized - 930 mm - w/brush D	# 15.22.640

The profiles can be trimmed up to 150 mm on the opposite side to the plunger.

Other lengths and finishes available on request.



Seal (A)



Seal (B)



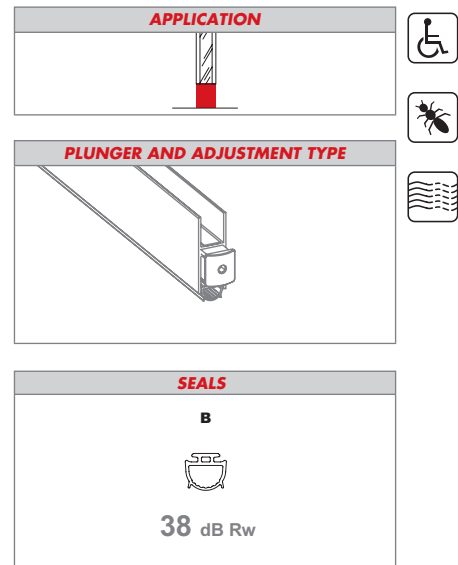
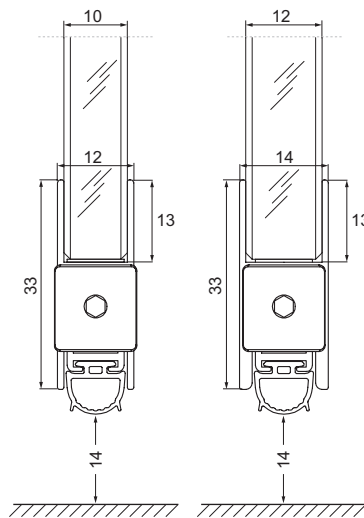
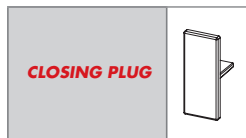
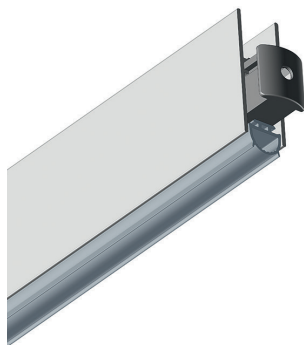
Brush (D)

DROP DOWN U-CHANNEL PROFILE F/HINGED DOORS

- high quality furniture fittings

Application

This door bottom U-profile closes the gap between the hinged glass door bottom and the floor. The seal can drop max 14 mm. The plunger can be adjusted accordingly. Tested to 200.000 cycles. Available for 10 and 12 mm glass thickness.



Material:

Profile in aluminium
End caps in PA.
Seal in silicone

Installation:

With high-strength double sided adhesive tape

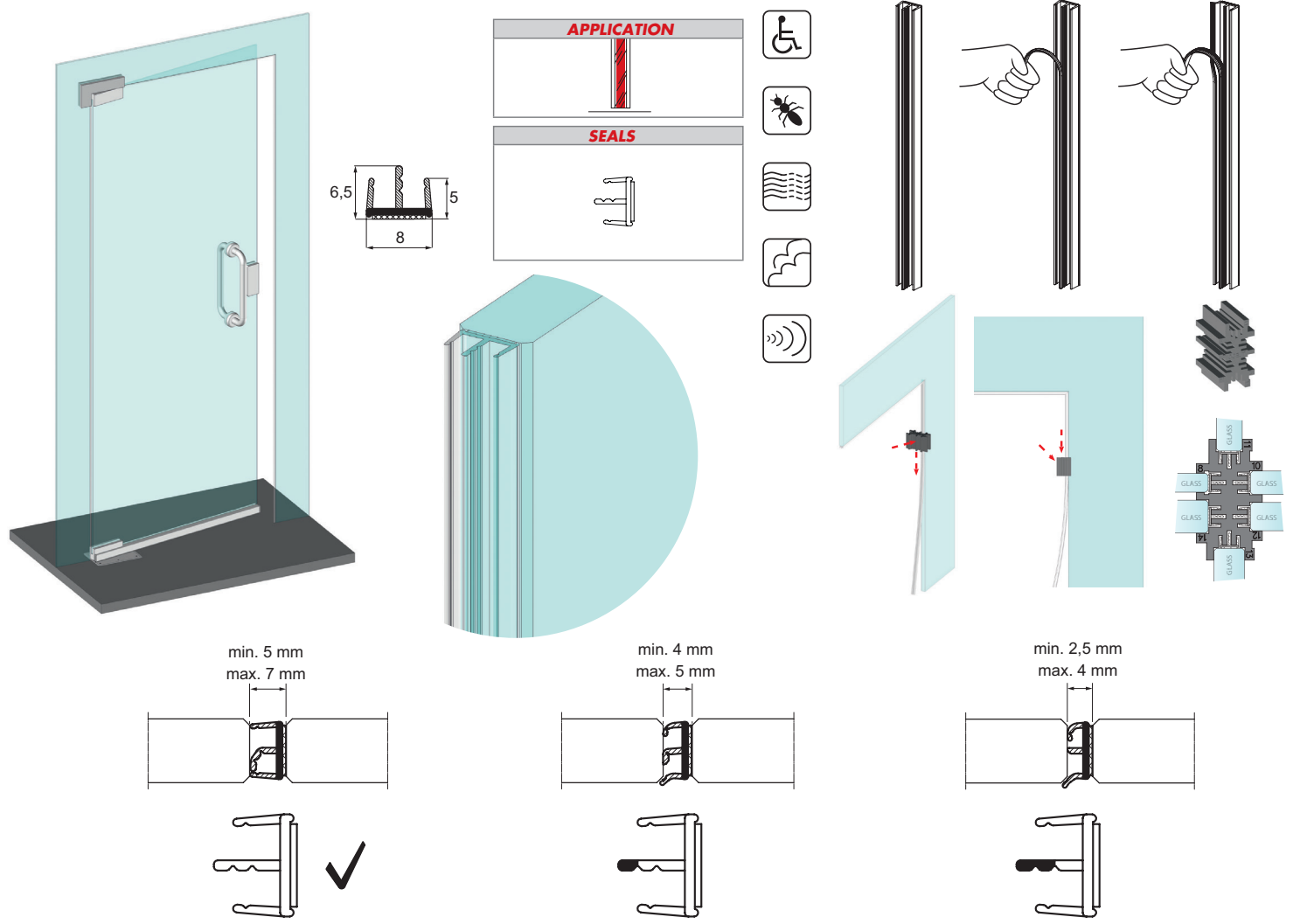
Item No.:

10 mm glass - anodized - 830 mm	# 15.22.659
10 mm glass - anodized - 930 mm	# 15.22.660
12 mm glass - anodized - 830 mm	# 15.22.679
12 mm glass - anodized - 930 mm	# 15.22.680

The profiles can be trimmed up to 150 mm on the opposite side to the plunger.
Other lengths, finishes and seals available on request.

GLASS SEALING PVC LIP F/HINGED DOORS

Application
 The glass lip is an adhesive seal for hinged glass doors and walls. It can be applied with a template which allows a perfect positioning always in the centre of the glass. It consists of a soft transparent seal with lips which is quickly installed with a high strength transparent adhesive. The seal lips can be shortened simply by tearing off part of the lip, to meet gaps from 2,5 to 7 mm. The system can be used for glass thickness 8 – 14 mm.



Material:
 Transparent thermoplastic.

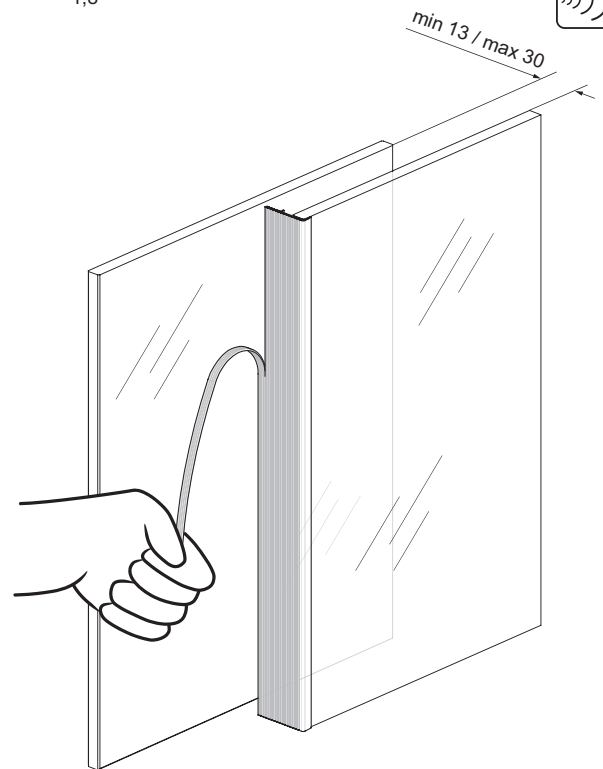
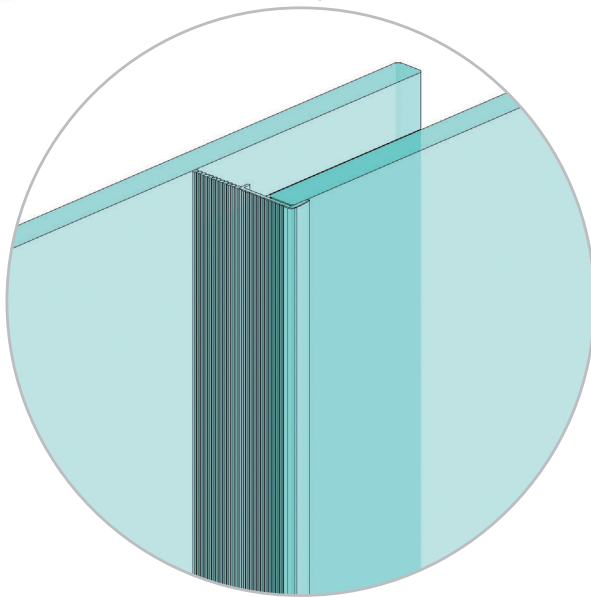
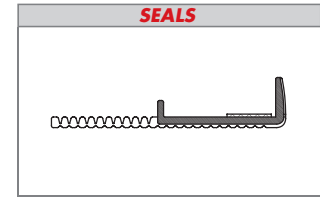
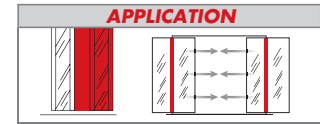
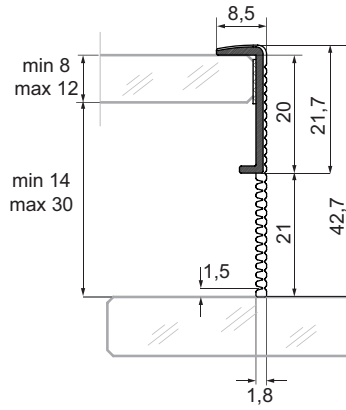
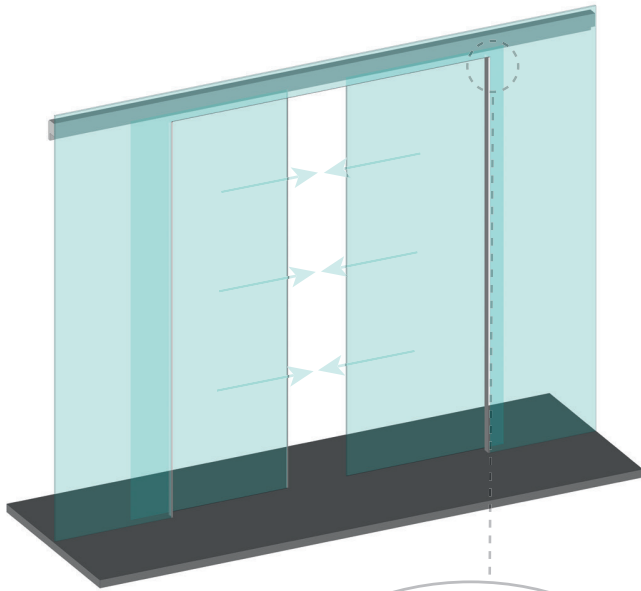
Installation:
 By use of adhesive tape.

One set consists of:
 10 profiles of 3000 mm, incl. 2 templates & 2 cleaning wipes.

Item No.:
 1 set of 10 profiles # 15.22.620

Application

The glass lip is an adhesive seal for glass sliding doors. It consists of a soft transparent seal with an adjustable single lip, which is installed on the fixed part of the sliding door to compensate the gap with the moving part. The seal can be shortened by each millimeter simply by tearing off part of the lip, to compensate gaps from 12 to 30 mm. The system can be used for glass thickness 8 – 14 mm.



Material:

Transparent thermoplastic.

Installation:

By use of adhesive tape.

One set consists of:

5 profiles of 3000 mm, incl. cleaning wipes.

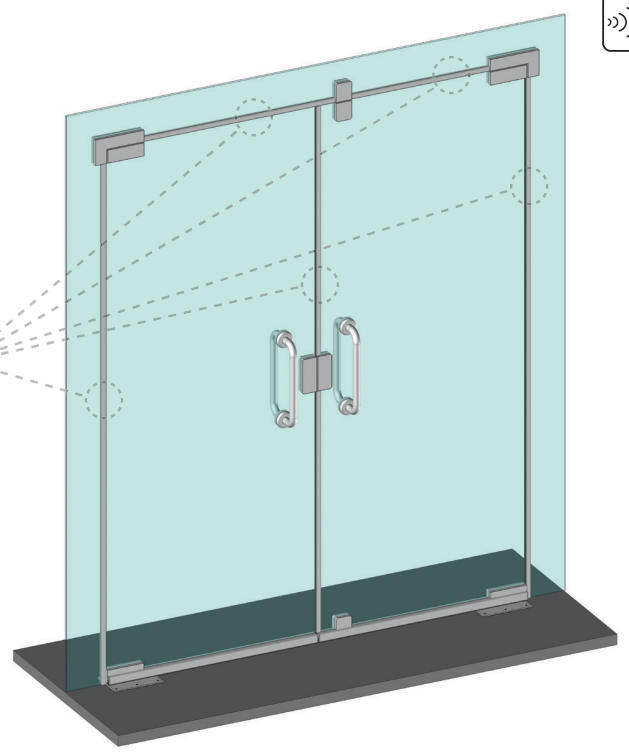
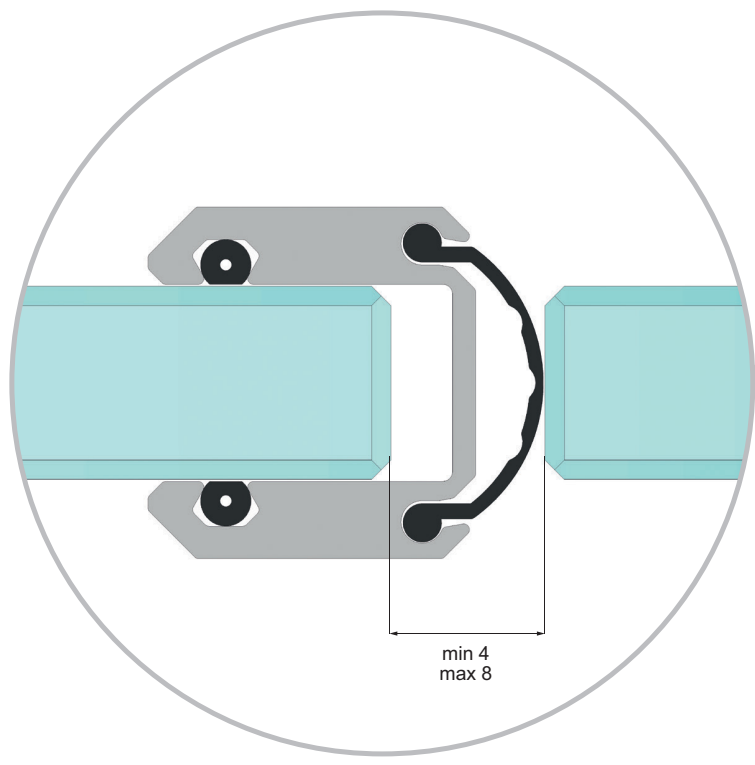
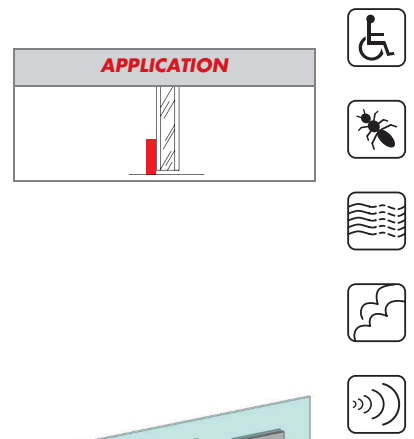
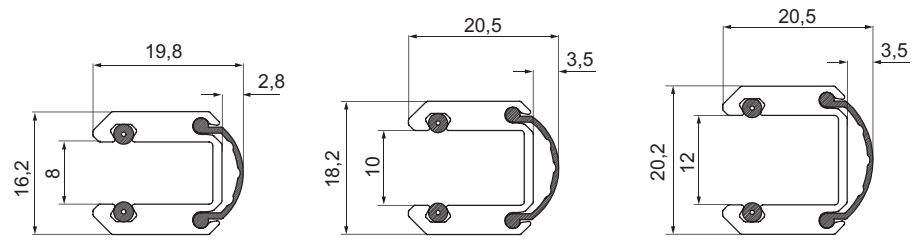
Item No.:

1 set of 5 profiles

15.22.600

GLASS SEALING FRAME SYSTEM

Application
 The glass frame system is a perimeter seal to close the gap around the leaves of a glass door, without the use of glue and adhesive, with an immediate installation. It consists of an aluminium profile with anti-vibration soft seals on the inside. The patented system allows for compensation of gaps from 4 – 8 mm, even in case the leaves are out of square and the gap is irregular. The system also solves the problems of dust, wind, smoke and noise, giving an added value to the aesthetics of the door.



Material
 Profile in aluminium
 Internal seal in soft pvc. External seal in TPE.

Installation
 No drilling or gluing on glass required.

Item No.

F/8 mm glass – 3000 mm – brushed	# 15.22.669
F/10 mm glass – 3000 mm - brushed	# 15.22.670
F/12 mm glass – 3000 mm - brushed	# 15.22.675

Also available anodized and polished aluminium on request.

SLIDING DOOR SYSTEM "MIR" SS-304

- high quality furniture fittings



Application

For sliding glass doors in offices, shops or domestic housing

Material: Stainless steel 304

Glass thickness: 8 - 10 mm

Max load capacity: 120 kg

1 Set for door width 960 - 1060 mm consists of

1 x Tube \varnothing 25 x 2050 mm

2 x End pieces for \varnothing 25 tube

2 x Door stoppers

2 x Sliding rollers

1 x Floor guide

1 x Installation drawing

Item No. # 28.29.001

To be ordered separately

Tube/wall bracket (5 pieces recommended)

Item No. # 28.29.010

Wall/tube bracket - LAY-ON f/ \varnothing 25 mm

(5 pieces recommended).

Item No. # 28.29.008

Tube/glass bracket (5 pieces recommended)

Item No. # 28.29.011

Glass/tube bracket - LAY-ON f/ \varnothing 25 mm

(5 pieces recommended).

Item No. # 28.29.009

Side-wall mounting fitting f/ \varnothing 25 mm tube

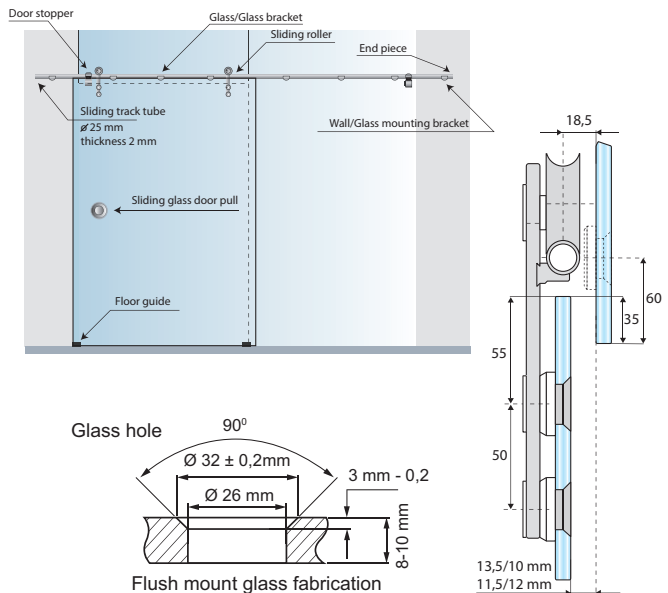
Item No. # 28.29.012

Sliding glass door pull \varnothing 65mm. Bore \varnothing 50 mm

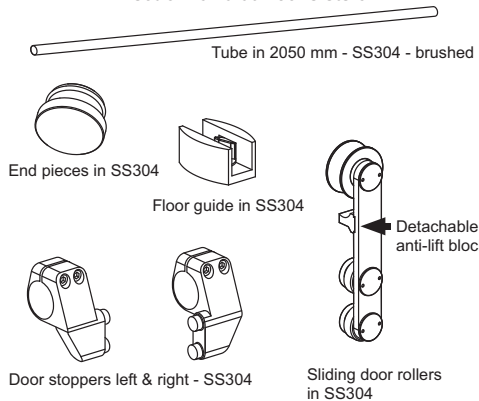
Item No. # 28.29.019

Mounting tool for snake eye screws

Item No. # 28.29.020



1 set of 28.29.001 consists of:



To be ordered separately depending on your construction

To be used for glass walls



Item No.: 28.29.011
Drilling in tube required



Item No.: 28.29.009
No drilling in tube required.
Cannot be used with anti-lift block on sliding rollers

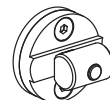


Item No.: 28.29.020
Installation tool

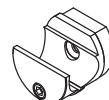
To be used for wooden & concrete walls



Item No.: 28.29.012
Side-wall mounting fitting



Item No.: 28.29.011
Drilling in tube required



Item No.: 28.29.008
No drilling in tube required.
Cannot be used with anti-lift block on sliding rollers



Item No.: 28.29.019
Sliding door pull \varnothing 65 mm
(Bore: \varnothing 48 mm)

SLIDING DOOR SYSTEM "SKYLAB", ALUMINIUM

Application

For sliding glass doors in offices, shops or domestic housing

Material: Aluminium anodized

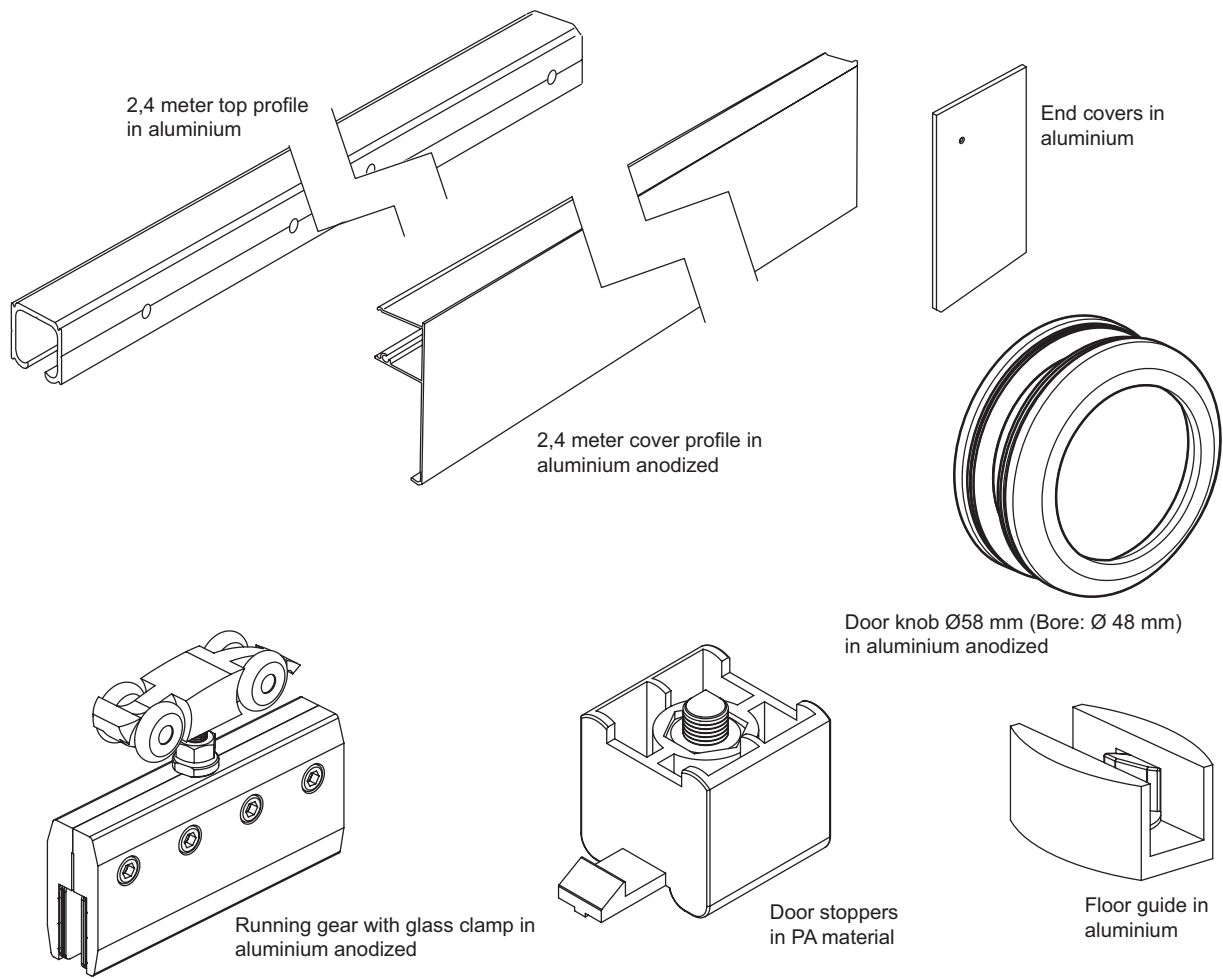
Glass thickness: 8 – 10 mm

Max dynamic load capacity: 35 kg

1 Set for max door width 1000 mm consists of

- 1 x 2,4 meter top profile in aluminium anodized.
- 1 x 2,4 meter cover profile in aluminium anodized.
- 2 x End covers in aluminium anodized.
- 2 x Running gear with glass clamp in aluminium anodized
- 1 x Floor guide in aluminium anodized.
- 2 x Door stoppers in PA material.
- 1 x Door knob Ø 58 mm (Bore: Ø 48 mm) in aluminium anodized.

Item No. # 28.29.200



SLIDING DOOR SYSTEM "COSMOS"

- high quality furniture fittings

Application

For sliding glass doors in showers

Material: Aluminium polished

Glass thickness: 8 – 10 mm

Max dynamic load capacity: 35 kg

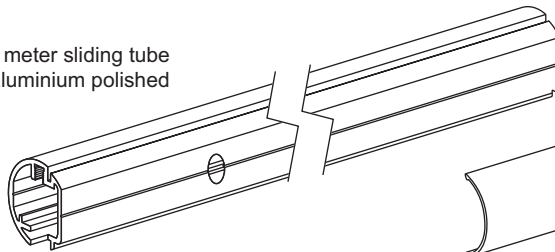
1 Set for min. door width 740 mm consists of

- 1 x 2,1 meter sliding tube in aluminium polished
- 1 x 2,1 meter cover profile in aluminium polished
- 1 x End glass clamp in aluminium chrome plated
- 2 x Side glass clamp in aluminium chrome plated
- 1 x Wall connector in SS304 - brushed
- 2 x Running gear with glass clamp in aluminium chrome plated
- 1 x Floor guide in aluminium chrome plated
- 2 x Door stoppers in PA material
- 1 x Door knob \varnothing 58mm (Bore: \varnothing 48mm) in aluminium chrome plated

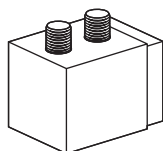
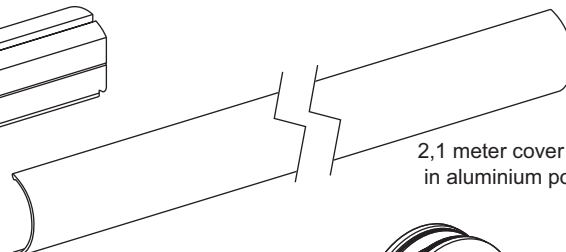
Item No. # 28.29.102



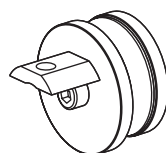
2,1 meter sliding tube
in aluminium polished



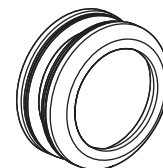
2,1 meter cover profile
in aluminium polished



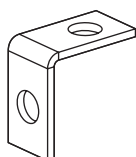
Door stopper in PA material



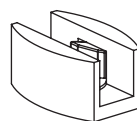
End glass clamp
in aluminium chrome plated



Door knob \varnothing 58 mm (Bore: \varnothing 48 mm)
in aluminium chrome plated



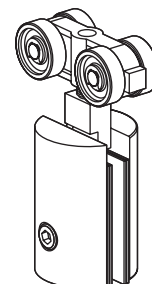
Wall connector
in SS-304 - brushed



Floor guide
in aluminium chrome plated



Side glass clamp
in chrome plated



Running gear with glass clamp
in aluminium chrome plated

SLIDING DOOR SYSTEM "SALYUT" W/SOFT CLOSE

Application

For sliding glass doors in offices, shops or domestic housing. With soft close function.

Material: Aluminium anodized

Glass thickness: 8 - 12 mm

Max load capacity: 70 kg

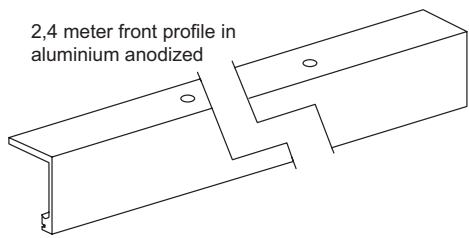
1 set for max door width 1000 mm consists of

- 1 x 2,4 meter back profile in aluminium anodized
- 1 x 2,4 meter front profile in aluminium anodized
- 2 x End covers in grey plastic
- 2 x Running gear w/glass clamp in aluminium anodized
- 1 x Floor guide in aluminium anodized
- 2 x Damper catch in aluminium anodized
- 2 x Door stoppers in aluminium anodized

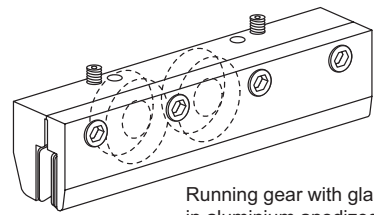
Item No. # 28.29.421 (No soft close function)

Soft close function to be bought seperately.
1 pc needed for 1 door.

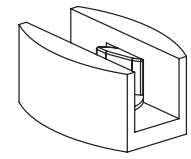
Item No. # 28.29.422 (1 pc)



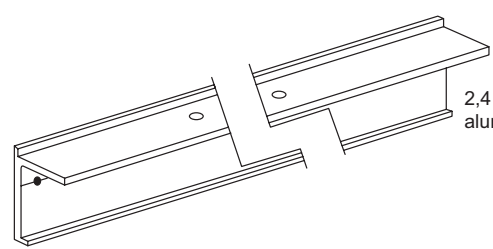
2,4 meter front profile in aluminium anodized



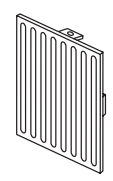
Running gear with glass clamp in aluminium anodized



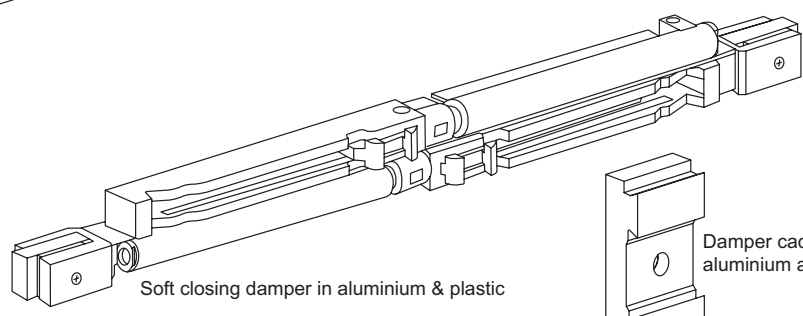
Floor guide in aluminium anodized



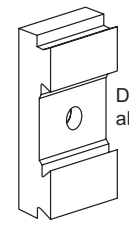
2,4 meter back profile in aluminium anodized



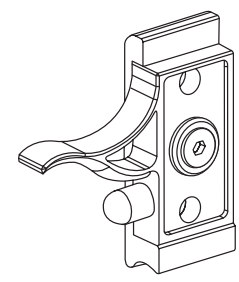
End covers in grey plastic



Soft closing damper in aluminium & plastic



Damper catch in aluminium anodized



Door stoppers in aluminium & PA material

FOLDING GLASS DOOR SYSTEM

- high quality furniture fittings



Application:

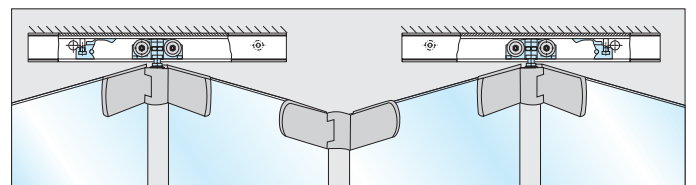
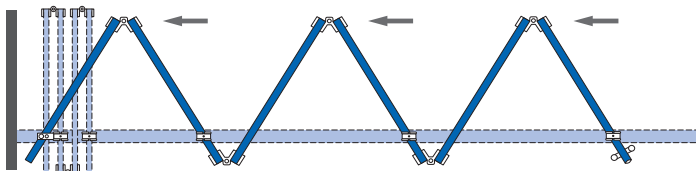
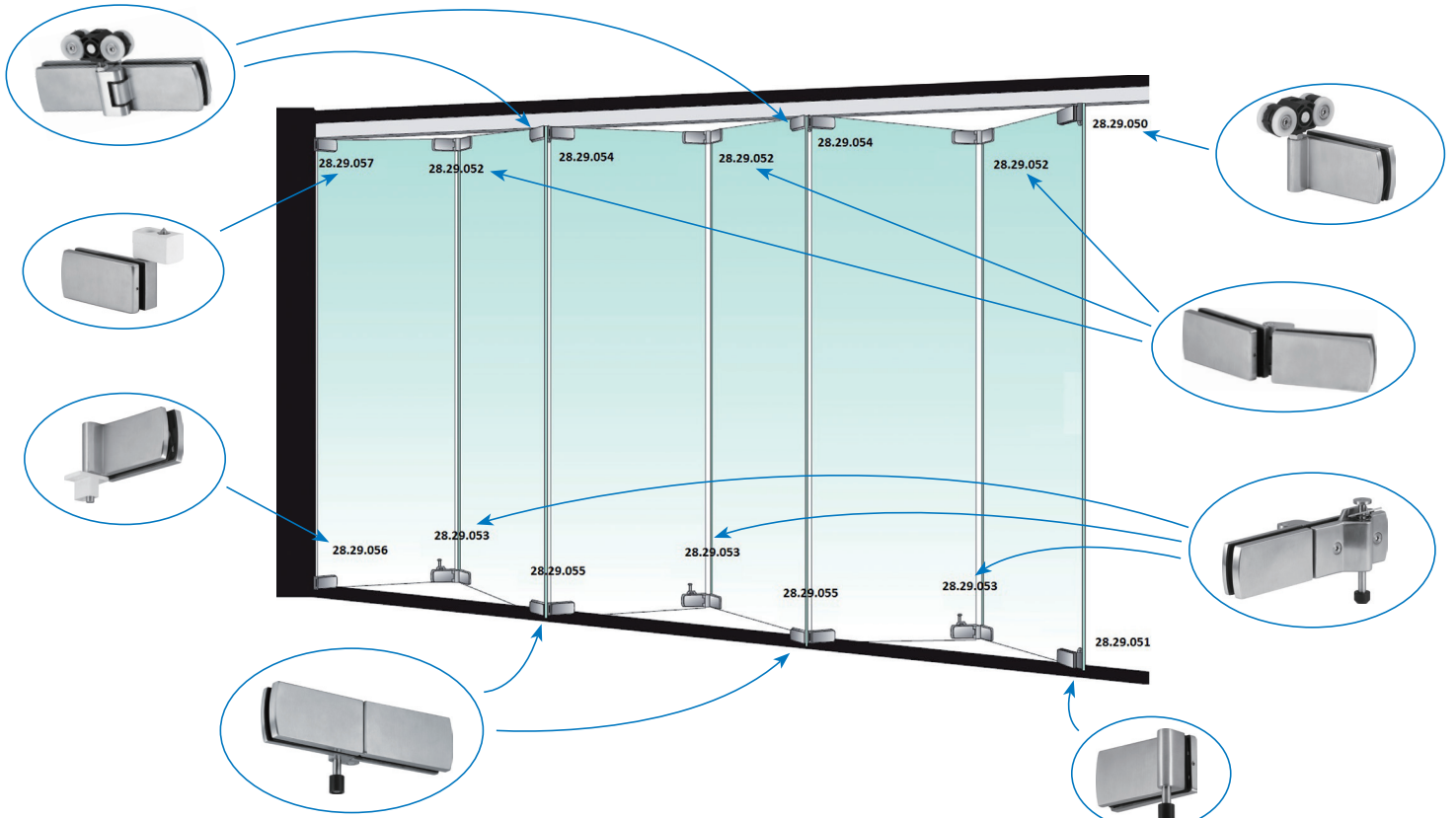
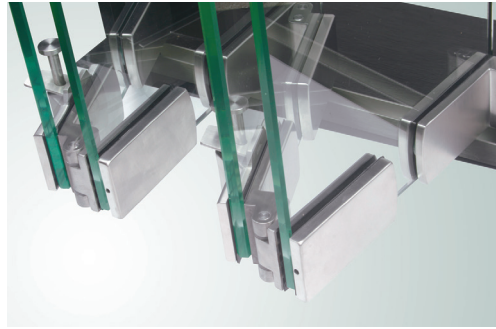
F/Folding glass doors in office, shops or domestic housing

Material: Stainless steel 304 - brushed

Glass thickness: 10 - 12 mm

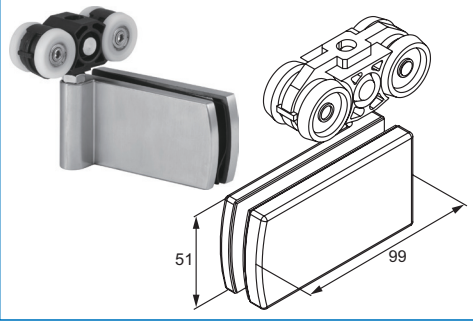
Max door size: 2500 x 900 mm (H/W)

Max door weight: 70 kg

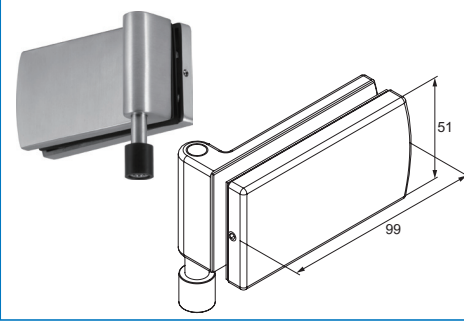


FOLDING GLASS DOOR SYSTEM

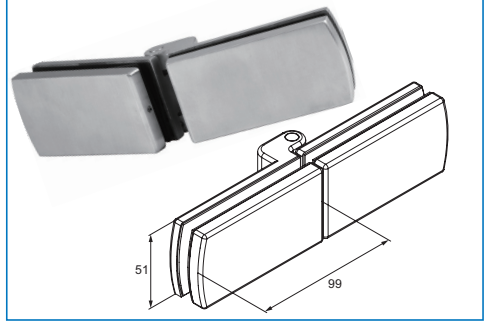
Top end pivot hinge w/roller
Item No.: # 28.29.050



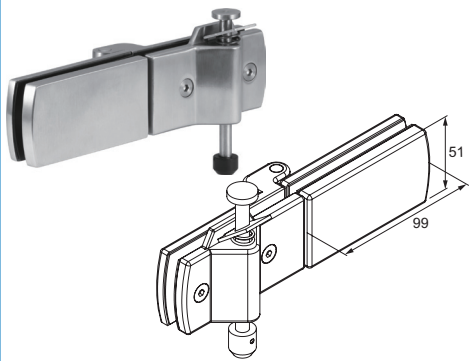
Bottom end pivot hinge w/guide pin
Item No.: # 28.29.051



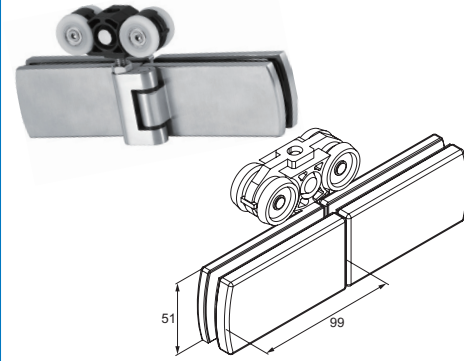
Top folding hinge
Item No.: # 28.29.052



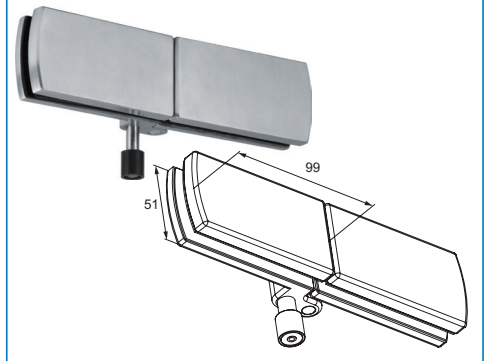
Bottom folding hinge w/locking bolt
Item No.: # 28.29.053



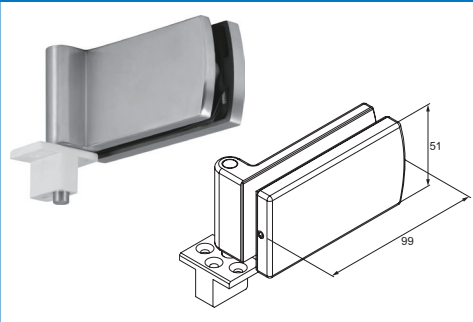
Top folding hinge w/roller
Item No.: # 28.29.054



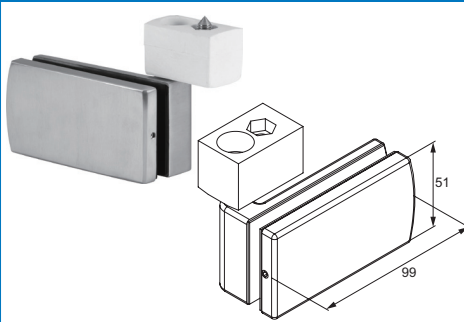
Bottom folding hinge w/guide pin
Item No.: # 28.29.055



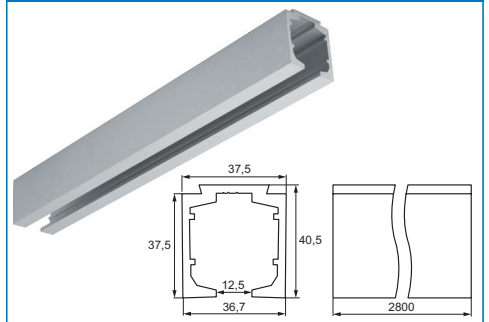
Bottom start pivot hinge
Item No.: # 28.29.056



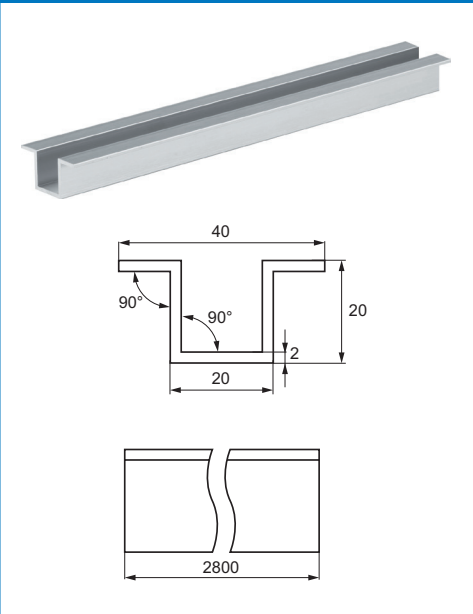
Top start pivot hinge
Item No.: # 28.29.057



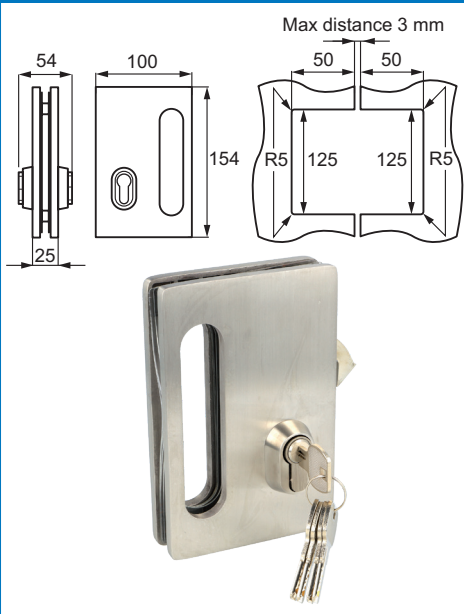
Aluminium top profile - 2800 mm - brushed
Item No.: # 28.25.220



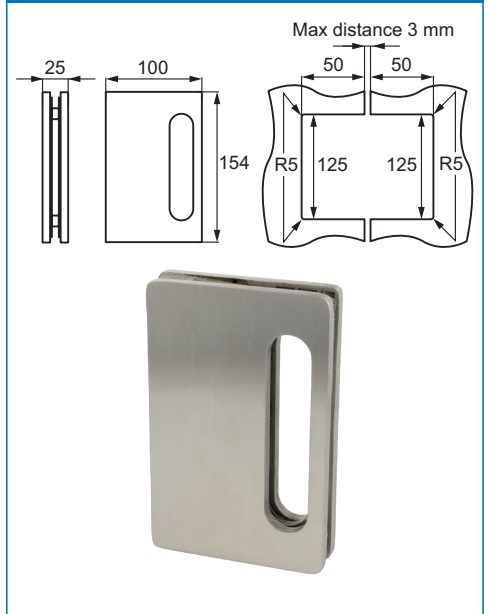
Aluminium bottom profile - 2800 mm - brushed
Item No.: # 28.25.221



Glass Door Lock
Item No.: # 14.60.642



Striker for Glass door lock 14.60.642
Item No.: # 14.60.643



Application

Complete solution for construction of toilet cubicles.
 Ideal for toilets in public swimming baths, airports, locker rooms or gas stations.
 Made of black, grey or white polypropylene (PP).
 Available for right hand & left hand doors.
 For wall thickness 12 - 18 mm.

On set consists of

- 2 handles
- 1 hook
- 1 lock
- 12 angle brackets w/cover caps
- 2 hinges
- 2 stands w/cover caps

Item No.:

Black right hand # 22.23.050
 Grey right hand # 22.23.051
 White right hand # 22.23.052

Black left hand # 22.23.060
 Grey left hand # 22.23.061
 White left hand # 22.23.062

Other colours & material on request.

Packing

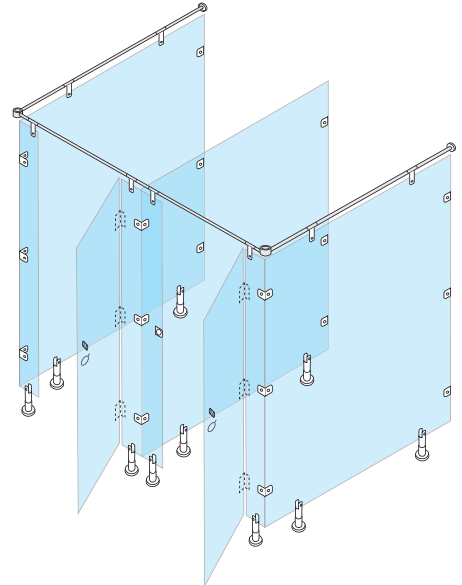
20 sets pr. export carton



TOILET CUBICLE FITTINGS IN SS304 F/OVERLAY DOORS OR F/INSET DOORS

Application

Complete solution for construction of toilet cubicles.
Ideal for toilets in public swimming baths, airports, locker rooms or gas stations.
Made of stainless steel 304.
Available for right hand & left hand doors.
For wall thickness 10 - 18 mm.



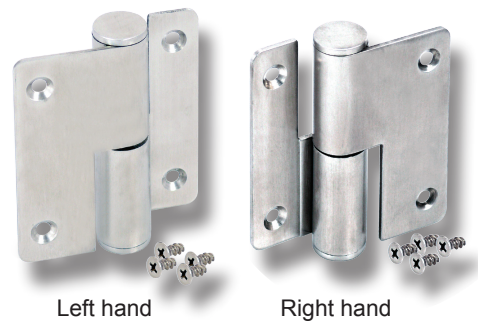
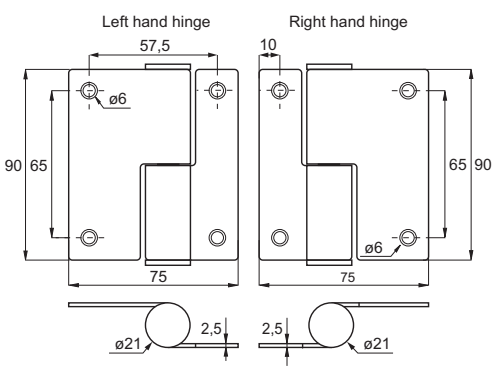
**LIFT DOOR HINGE
F/OVERLAY DOORS**

Stainless steel 304, brushed.
Self closing. By up/down function.
Outwards opening. Inclusive screws for panel mounting.
Left or right hand.

Size: 90 x 75 x 2,5 mm

Item No.:

- Right Hand # 22.23.160
- Left Hand # 22.23.161



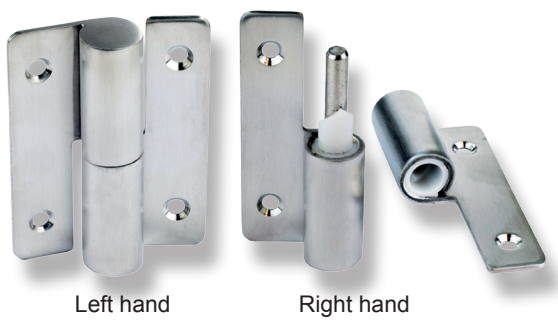
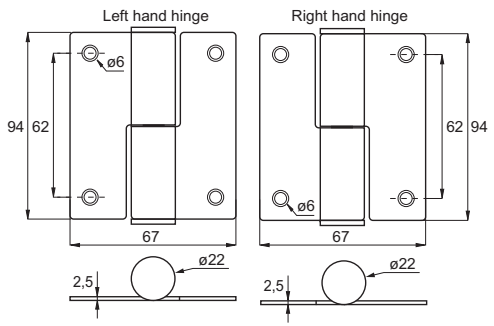
**LIFT DOOR HINGE
F/INSET DOORS**

Stainless steel 304, brushed.
Self closing. By up/down function.
Out or inwards opening. Inclusive screws for panel mounting.

Size: 94 x 67 x 2,5 mm

Item No.:

- Right Hand # 22.23.163
- Left Hand # 22.23.164



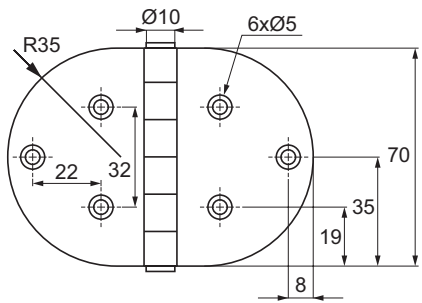
FLAP HINGE F/INSET DOORS

Stainless steel 304, brushed.
Inclusive screws for panel mounting.
Universal.

Size: 98 x 70 X 2 mm

Item No.:

22.23.170



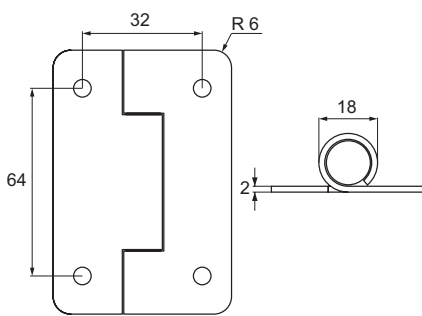
**SPRING DOOR HINGES
F/INSET DOORS**

Stainless steel 304, brushed.
Inwards opening.
Self closing by spring function
Inclusive screws for panel mounting.
Universal.

Size: 90 x 52 x 2 mm

Item No.:

22.23.165



TOILET CUBICLE FITTINGS IN SS304 F/OVERLAY DOORS OR F/INSET DOORS

- high quality furniture fittings

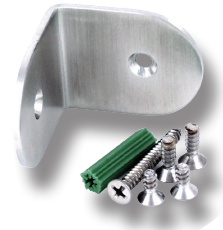
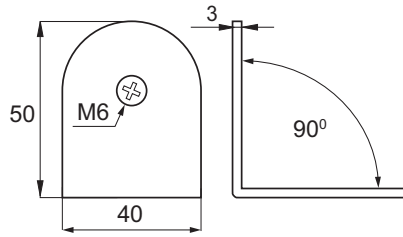


L-BRACKET

Stainless steel 304, brushed.
Incl. plugs & screws for wall & panel mounting

Size: 50 x 40 X 3 mm

Item No.: # 22.23.125

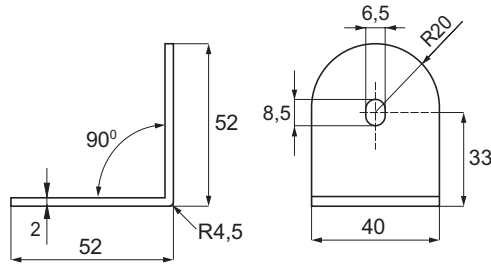


L-BRACKET W/OVAL HOLE

Stainless steel 304, brushed.
Incl. washers and fixing screws.

Size: 52 x 40 x 2 mm

Item No.: # 22.23.126

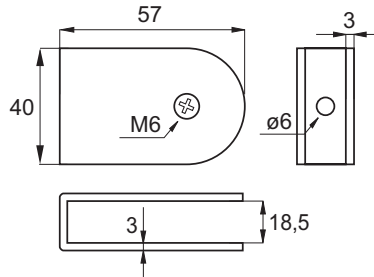


U-BRACKET

Stainless steel 304, brushed.
Incl. plugs & screws for wall & panel mounting. Incl. EPDM Washers f/10, 13 & 16 mm panel.

Size: 57 x 40 X 18 x 3 mm

Item No.: # 22.23.130

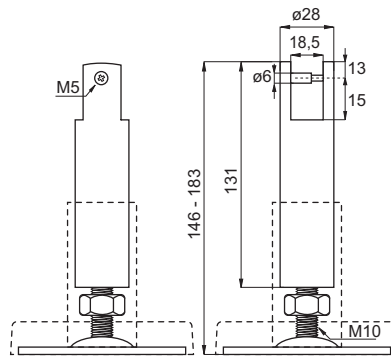


PANEL SUPPORT LEG - 10-16 MM

Stainless steel 304, brushed.
Incl. floor & panel screws.
Incl. EPDM washers f/10, 13 & 16 mm panel. 37 mm height adjustment.

Size: ø 28 x 140 mm

Item No.: # 22.23.145

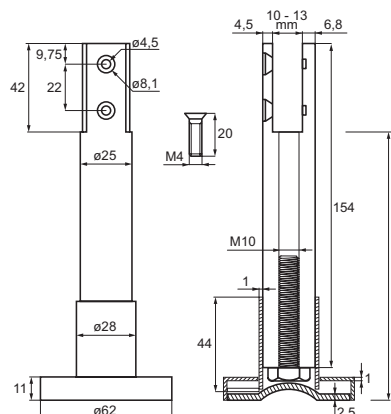


PANEL SUPPORT LEG - 10-13 MM

Stainless steel 304, brushed.
Incl. 2 M4 panel screws.
Incl. PVC washers f/10-13 mm panels.
32 mm height adjustment.

Size: ø28 x 154 mm

Item No.: # 22.23.146



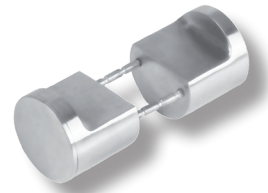
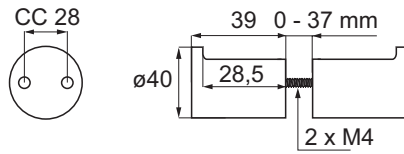
TOILET CUBICLE FITTINGS IN SS304 F/OVERLAY DOORS OR F/INSET DOORS

HOLLOW DOOR KNOB

Stainless steel 304, brushed.

Size: \varnothing 40 x 39 mm

Item No.: # 22.23.136

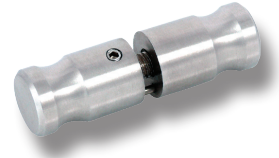
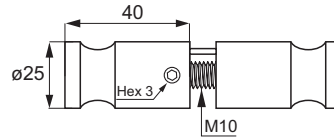


DOOR KNOB

Stainless steel 304, brushed.
W/fixing pin

Size: \varnothing 25 x 40 mm

Item No.: # 22.23.135

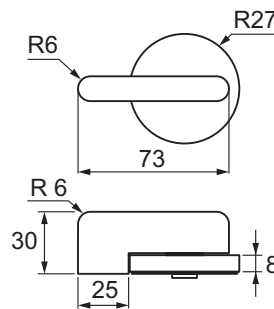


TURN & RELEASE HANDLE F/INSET DOORS - SOLID

Stainless steel 304, brushed.
W/Indicator showing if door is open or closed

Size: \varnothing 50 mm

Item No.: # 22.23.151

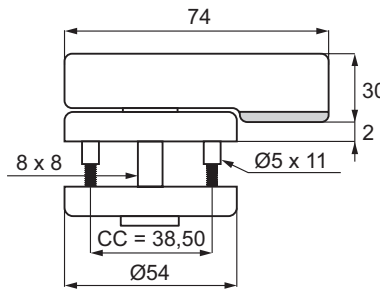


TURN & RELEASE HANDLE F/INSET DOORS - HOLLOW

Stainless steel 304, brushed.
W/Indicator showing if door is open or closed

Size: \varnothing 50 mm

Item No.: # 22.23.152

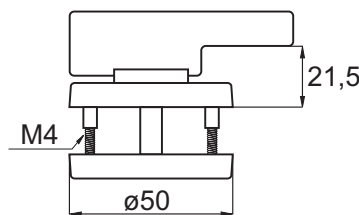


TURN & RELEASE HANDLE F/OVERLAY DOORS

Stainless steel 304, brushed.
W/indicator if door is open or closed.

Size: \varnothing 50 mm

Item No.: # 22.23.150



Application

Signs for restroom doors with or without adhesive tape.

Material:

Stainless steel 201, brushed

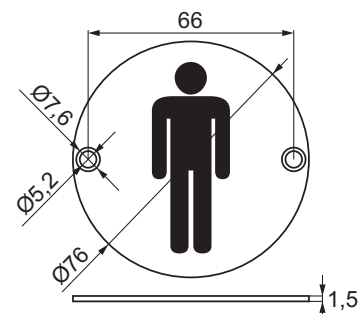
Size:

\varnothing 76 x 1,5 mm

Item No.:

Male, screw-on # 22.23.260

Female, screw-on # 22.23.261



TUBE CONNECTOR FITTINGS SS304 F/TOILET CUBICLES

- high quality furniture fittings



TUBE CLIP HOLDER SS304

Description:

Tube clip holder, 110 x 40 x 2,5 mm for 19 mm tube.

Finish:

Brushed SS-304

Item No:

22.23.108

TUBE HOLDER SS304

Description:

Tube holder, $\varnothing 64 \times 10 \times 28$ mm for 19 mm tube.

Finish:

Brushed SS-304

Item No:

22.23.105

TUBE

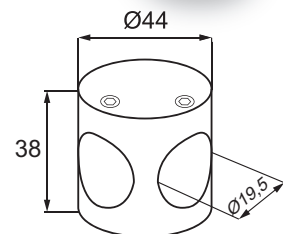
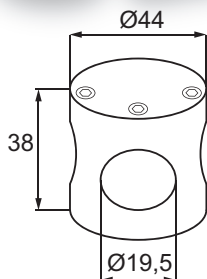
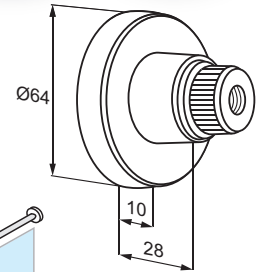
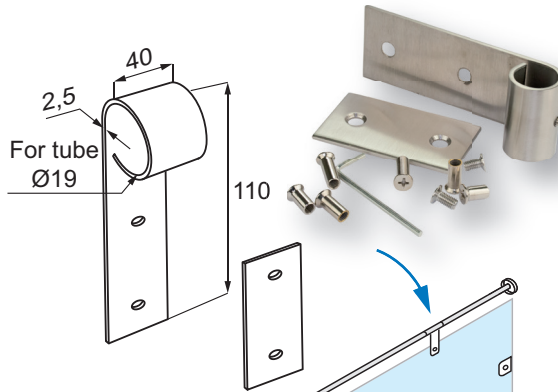
$\varnothing 19 \times 3000$ mm

1,2 mm Thickness

SS-304 - Brushed

Item No.

22.23.250



TUBE HOLDER 3-WAY SS304

Description:

Tube connector 3-way, $\varnothing 44 \times 38$ mm f/19 mm tube.

Finish:

Brushed SS-304

Item No:

22.23.115

TUBE HOLDER 2-WAY SS304

Description:

Tube connector 2-way, $\varnothing 44 \times 38$ mm f/19 mm tube.

Finish:

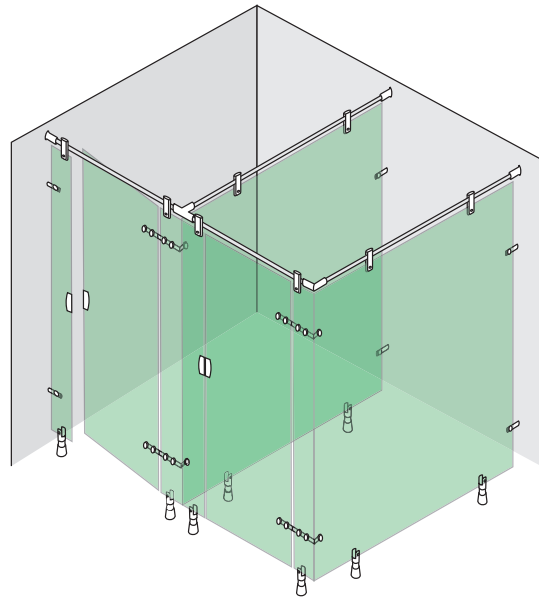
Brushed SS-304

Item No:

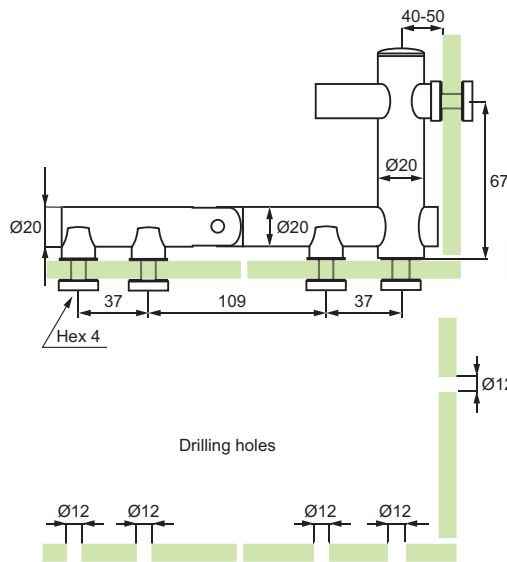
22.23.110

TOILET CUBICLE FITTINGS IN SS304 F/GLASS PANELS 8 - 10 MM

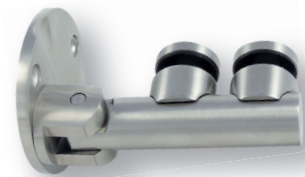
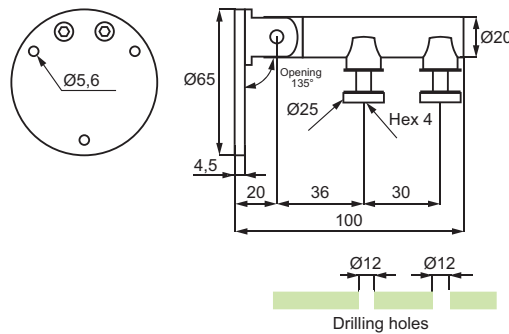
Application
 Complete solution for construction of toilet cubicles.
 Ideal for toilets in public swimming baths, airports,
 locker rooms or gas stations.
 Made of stainless steel 304.



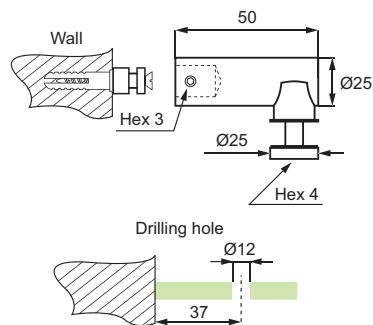
DOOR HINGE W/ANGLE BRACKET
 Stainless steel 304, brushed
 Inwards opening
 Inset doors, \varnothing 12mm drilling
 Universal. No left or right
 F/8-10 mm glass
 Item No.: # 22.23.220



DOOR HINGE WALL/GLASS
 Stainless steel 304, brushed
 Inset doors, \varnothing 12 mm drilling
 Universal. No left or right
 F/8-10 mm glass
 Item No.: # 22.23.221



ANGLE BRACKET WALL/GLASS
 Stainless steel 304, brushed
 \varnothing 12 mm drilling
 F/8-10 mm glass
 Item No.: # 22.23.230



TOILET CUBICLE FITTINGS IN SS304 F/GLASS PANELS 8 - 10 MM

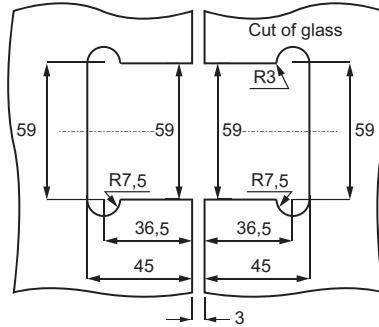
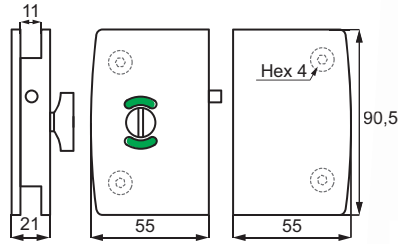
- high quality furniture fittings



DOOR LOCK W/STRIKER

Brass - SS-look
W/Indicator
Cutting required
F/8-10 mm glass

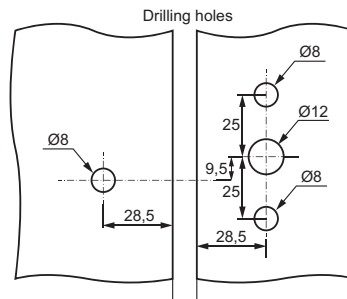
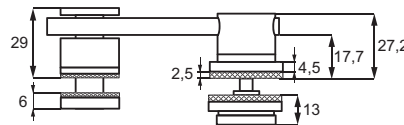
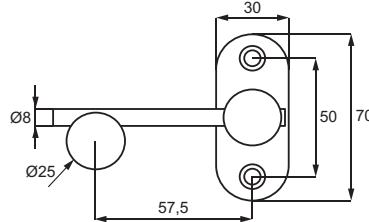
Item No.: # 22.23.201



DOOR LOCK "SLIM" W/STRIKER

Stainless steel 304, brushed
W/Indicator
Drilling required
F/8-10 mm glass

Item No.: # 22.23.202



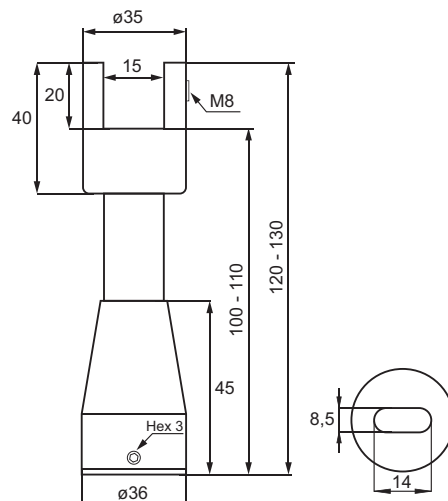
Glass to glass distance
range 3 - 12 mm



PANEL SUPPORT LEG

Stainless steel 304, brushed.
10 mm height adjustment.
From 100 - 110 mm
w/black gaskets 2 x 1 mm & 2 x 2 mm
F/8-10 mm glass

Item No.: # 22.23.225

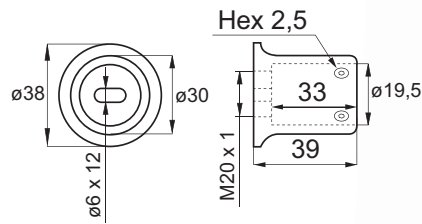


TOILET CUBICLE FITTINGS IN SS304 F/GLASS PANELS 8 - 10 MM

WALL MOUNTING TUBE BRACKET

Brass, SS-look
Side-mounted
F/ø19 mm tube

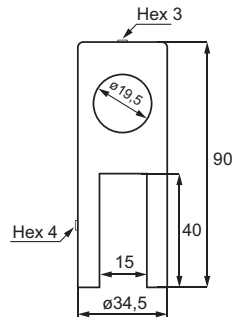
Item No.: # 15.26.100-8



BAR TO GLASS CENTRE BRACKET

Stainless steel 304, brushed
F/ø19 mm tube
w/black gaskets 2 x 1 mm & 2 x 2 mm
F/8-10 mm glass

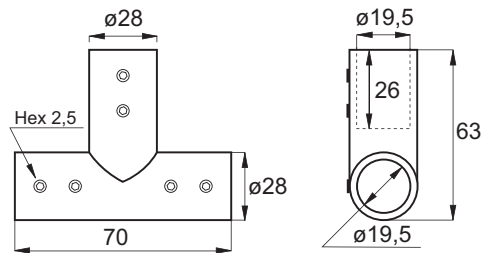
Item No.: # 22.23.205



T-SHAPED CONNECTOR

Brass, SS-look
F/ø19 mm tube
F/3 bars

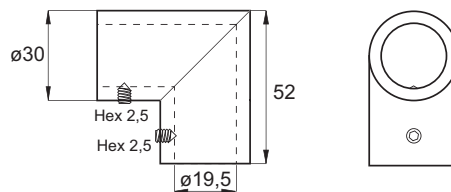
Item No.: # 15.26.105-5



BAR TO BAR CONNECTOR 90°

Brass, SS-look
F/ø19 mm tube

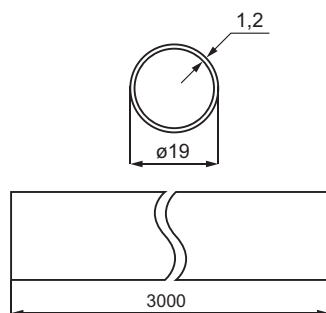
Item No.: # 15.26.107-6



STAINLESS STEEL TUBE

Stainless steel 304, brushed
ø 19 x 3000 mm
1,2 mm thickness

Item No.: # 22.23.250



PARTITION PANEL SUPPORT CLAMP

- high quality furniture fittings

SISO DENMARK



Application

Ideal for desktop hygiene screens in hospitals, airports, hotels, shopping malls, offices, schools etc. Easy to install. No drilling required in panel or desktop.

Material: Aluminum

Size: 66 x 300 x 80 mm (H/L/W)

Panels thickness: 6 - 8 mm

Max panel size: 1500 x 1000 x 8 mm (L/H/T)

Item No.:

Silver painted # 22.10.830

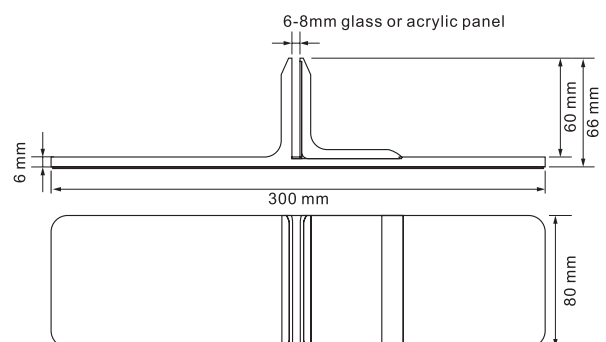
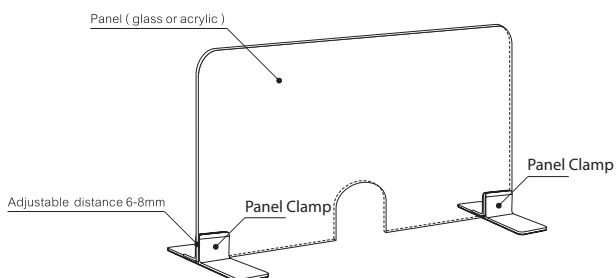
Black matt # 22.10.831

Incl. 3 white plastic gaskets in 1 mm thickness.

Attention

Sold per piece.

Packed in cartons of 2 pieces.





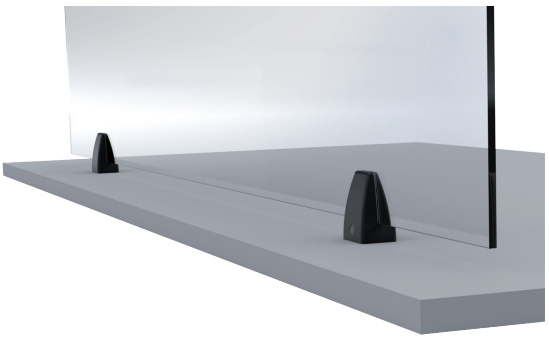
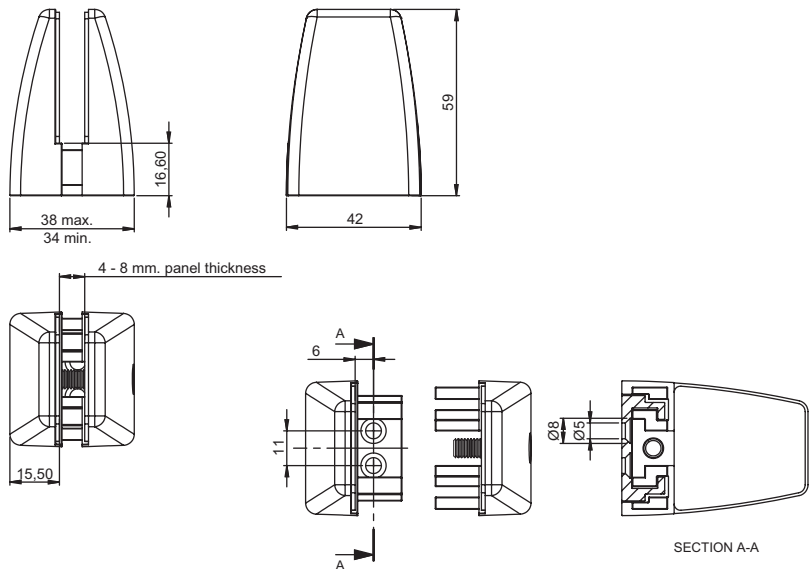
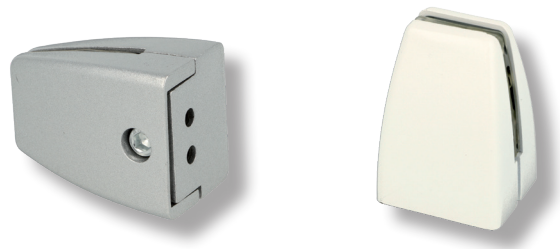
- Ideal for privacy panel between desks or as sneeze guard for work stations
- Our partition panel clamps may be used with glass, acrylic, polycarbonate, wood, metal etc.
- Hold panels from 4 – 8 mm
- Easy to install.

PARTITION PANEL CLAMP "TOP FIX"

Material: Aluminum

Panel thickness: 4 – 8 mm

White painted # 22.10.800
 Black painted # 22.10.801
 Silver painted # 22.10.802



PARTITION PANEL CLAMPS

- high quality furniture fittings

SISO DENMARK

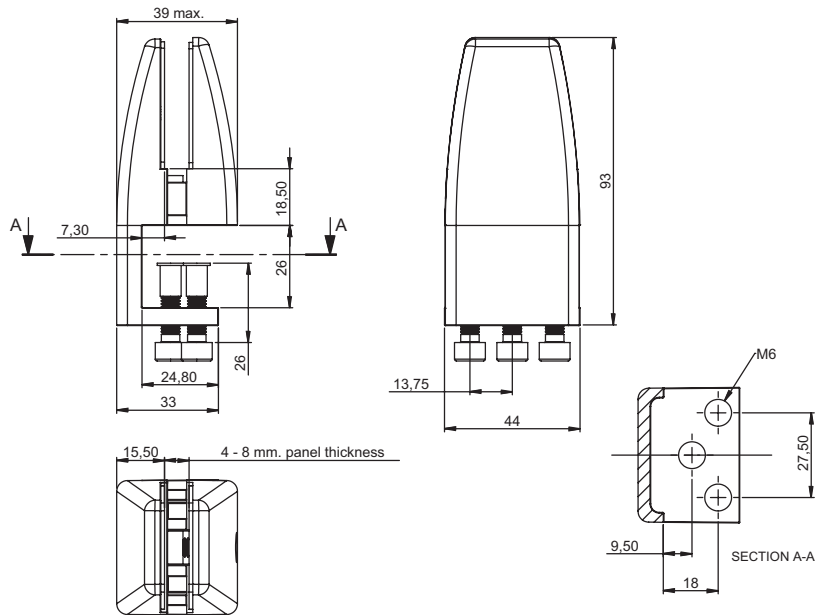
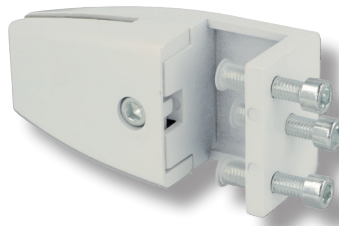
PARTITION PANEL CLAMP "CLAMP ON"

Material: Aluminum

Panel thickness: 4 – 8 mm

White painted # 22.10.805
 Black painted # 22.10.806
 Silver painted # 22.10.807

Incl.: 3 Pcs of Bolts M6x25 mm & 3 Pcs. of Plastic Caps



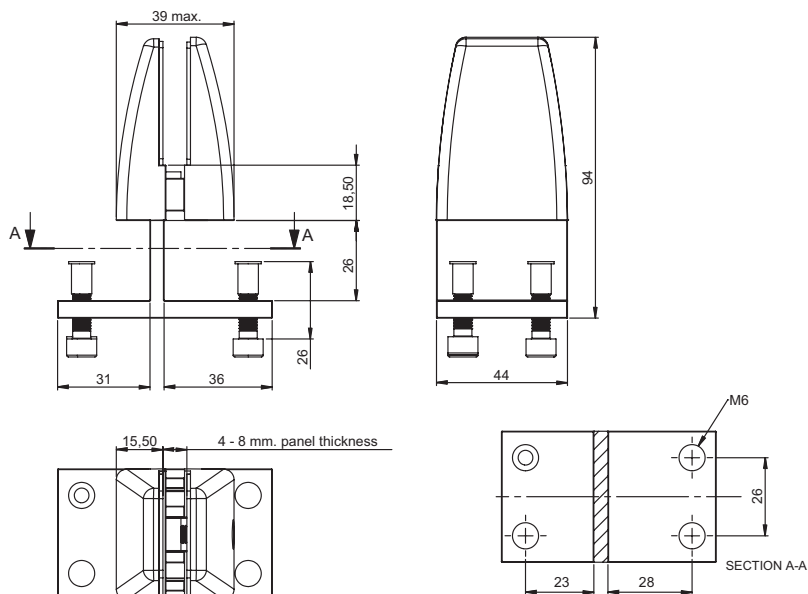
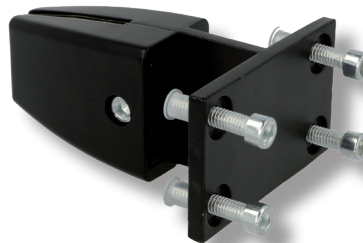
PARTITION PANEL CLAMP "BACK TO BACK"

Material: Aluminum

Panel thickness: 4 – 8 mm

White painted # 22.10.810
 Black painted # 22.10.811
 Silver painted # 22.10.812

Incl.: 4 Pcs of Bolts M6x25 mm & 4 Pcs. of Plastic Caps



STAINLESS STEEL & ZAMAK GLASS CLAMPS "SQUARE" - FLAT BACK

Material: Brushed stainless steel 304, 316 or zamak, raw

Glass thickness: 6 - 10,76 mm

Size: 45,5 x 46 x 25 mm (SS)

Size: 45 x 45,7 x 27,2 mm (Zamak)

Model "Flat" without cushions

SS-316 - brushed # 22.10.600-0

SS-304 - brushed # 22.10.600-9

Zamak - raw # 22.10.600-8

Incl. plastic cover caps but NO cushions

EPDM cushions to regulate glass thickness to be bought separately

Optional:

Mounting screws SS-304

M8 x 12 mm # 22.10.248

M8 x 14 mm # 22.10.249-0

M8 x 16 mm # 22.10.249-5

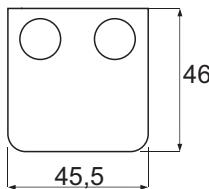
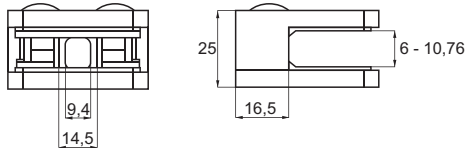


TÜV APPROVED - EN 12600



SS-316 # 22.10.600-0

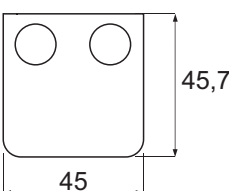
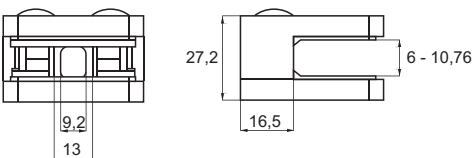
SS-304 # 22.10.600-9



Cushions for stainless steel models

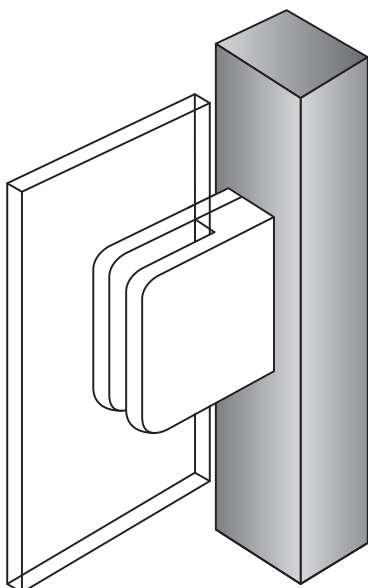
MODEL „D”	Glass thickness	Glass Type	Cushion mm	Item No.:
	6	mono	2 x 5,26	22.10.607-5
	6,76	Lam.	2 x 4,88	22.10.607-0
	8	mono	2 x 4,26	22.10.606-5
	8,76	Lam.	2 x 3,88	22.10.606-0
	10	mono	2 x 3,26	22.10.605-5
	10,76	Lam.	2 x 2,88	22.10.605-0

Zamak raw # 22.10.600-8



Cushions for zamak models

MODEL „G”	Glass thickness	Glass Type	Cushion mm	Item No.:
	6	mono	2 x 5	22.10.692
	6,76	Lam.	2 x 4,62	22.10.691
	8	mono	2 x 4	22.10.690
	8,76	Lam.	2 x 3,62	22.10.689
	10	mono	2 x 3	22.10.688
	10,76	Lam.	2 x 2,62	22.10.687



STAINLESS STEEL & ZAMAK GLASS CLAMPS "SQUARE" - CURVED BACK

- high quality furniture fittings



Material: Brushed stainless steel 304 & 316 or zamak, raw

Glass thickness: 6 - 10,76 mm
Size: 45 x 47 x 27 mm

Model "Tube \varnothing 33,7 mm" without cushions

SS-316 - brushed # 22.10.201-0
SS-304 - brushed # 22.10.201-9
Zamak - raw # 22.10.201-8

Model "Tube \varnothing 42,4 mm" without cushions

SS-316 - brushed # 22.10.202-0
SS-304 - brushed # 22.10.202-9
Zamak - raw # 22.10.202-8

Model "Tube \varnothing 48,3 mm" without cushions

Zamak - raw # 22.10.203-8

EPDM-cushions to regulate glass thickness to be bought separately

Optional:

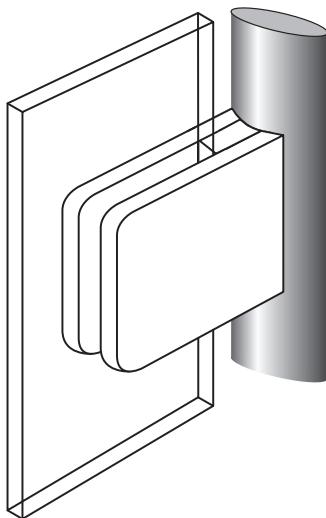
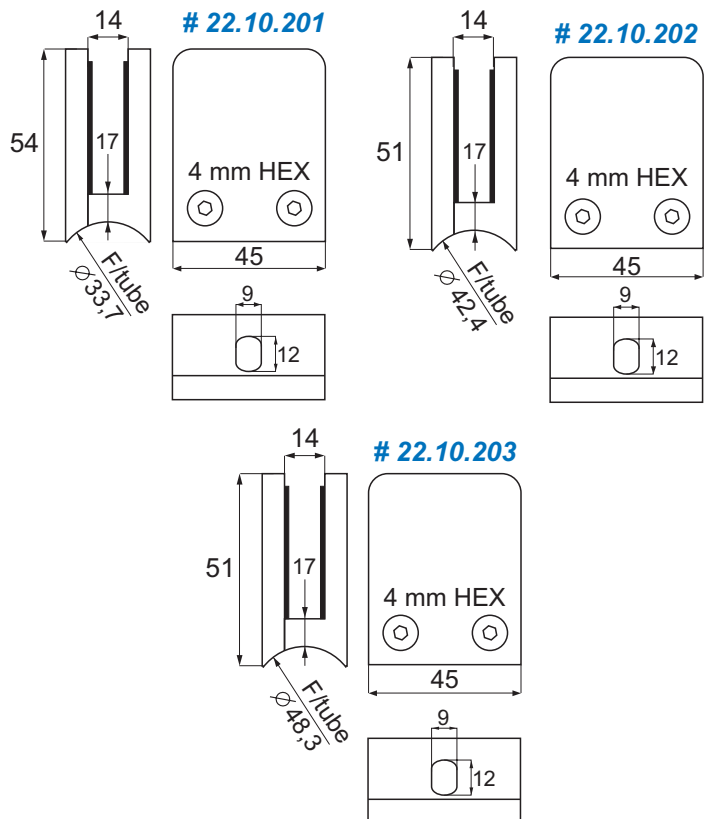
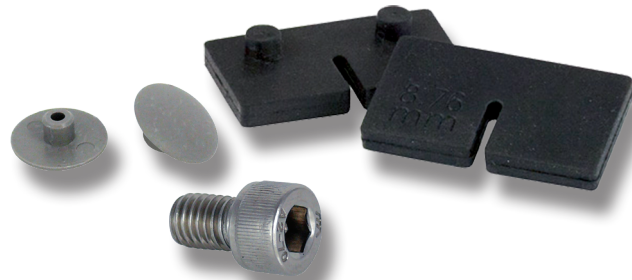
Cover cap - silver color # 22.10.251

Mounting screws SS-304

M8 x 12 mm # 22.10.248
M8 x 14 mm # 22.10.249-0
M8 x 16 mm # 22.10.249-5



TÜV APPROVED - EN 12600



Attention: All zamak clamps are with \varnothing 9 mm fixing hole

MODEL „SQUARE“	Glass thickness	Glass Type	Cushion mm	Item numbers		
	6	mono	4 + 5	22.10.207	+	22.10.208
	6,76	Lam.	4 + 4	22.10.207	+	22.10.207
	8	mono	3 + 4	22.10.206	+	22.10.207
	8,76	Lam.	3 + 3	22.10.206	+	22.10.206
	10	mono	2 + 3	22.10.205	+	22.10.206
	10,76	Lam.	2 + 2	22.10.205	+	22.10.205

STAINLESS STEEL & ZAMAK GLASS CLAMPS "OVAL-S" - FLAT BACK

Material: Brushed stainless steel 304, 316 or zamak, raw

Glass thickness: 6 - 10,76 mm

Size: 40,5 x 51 x 27 mm (SS)

Size: 39,5 x 48,7 x 26,2 mm (Zamak)

Model "Flat" without cushions

- SS-316 - brushed # 22.10.610-0
- SS-304 - brushed # 22.10.610-9
- Zamak - raw # 22.10.610-8
- SS-316 - polished # 22.10.660-0

Incl. plastic cover caps but NO cushions

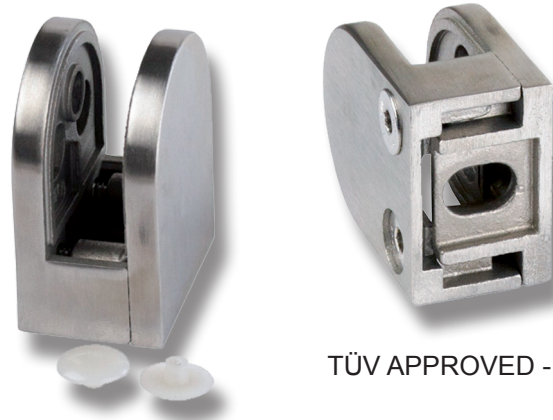
EPDM cushions to regulate glass thickness to be bought separately

Optional:

- Safety pin - \varnothing 6 x 19 mm
- SS-304 - w/rubber ring # 22.10.639

Mounting screws SS-304

- M8 x 12 mm # 22.10.248
- M8 x 14 mm # 22.10.249-0
- M8 x 16 mm # 22.10.249-5

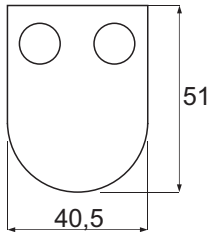
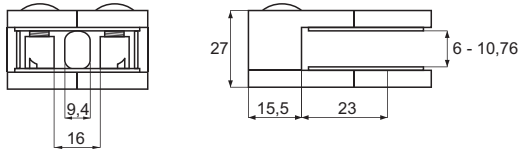


TÜV APPROVED - EN 12600



SS-316 # 22.10.610-0/660-0

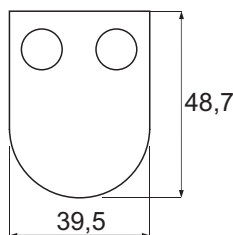
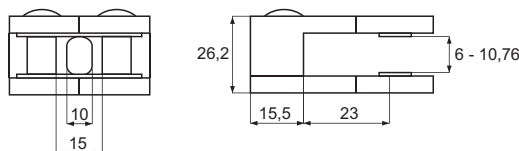
SS-304 # 22.10.610-9



Cushions for stainless steel models

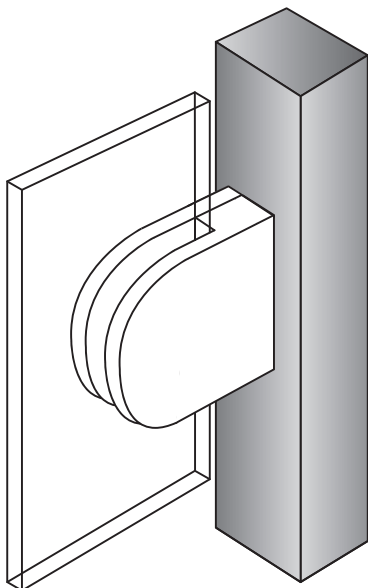
MODEL „A“	Glass thickness	Glass Type	Cushion mm	Item No.:
	6	mono	2 x 5,66	22.10.618-0
	6,76	Lam.	2 x 5,28	22.10.617-0
	8	mono	2 x 4,66	22.10.616-0
	8,76	Lam.	2 x 4,28	22.10.615-9
	10	mono	2 x 3,66	22.10.615-0
	10,76	Lam.	2 x 3,28	22.10.614-0

Zamak raw # 22.10.610-8



Cushions for zamak models

MODEL „F“	Glass thickness	Glass Type	Cushion mm	Item No.:
	6	mono	2 x 5	22.10.686-0
	6,76	Lam.	2 x 4,62	22.10.685-0
	8	mono	2 x 4	22.10.684-0
	8,76	Lam.	2 x 3,62	22.10.683-0
	10	mono	2 x 3	22.10.682-0
	10,76	Lam.	2 x 2,62	22.10.681-0



STAINLESS STEEL & ZAMAK GLASS CLAMPS "OVAL-S" - CURVED BACK

- high quality furniture fittings



Material: Brushed/polished stainless steel 304 & 316 or zamak, raw

Glass thickness: 6 - 10,76 mm

Size: 40 x 50 x 27 mm

Model "Tube \varnothing 33,7 mm" without cushions

Zamak - raw # 22.10.211-8

SS-316 - brushed # 22.10.211-0

Model "Tube \varnothing 42,4 mm" without cushions

SS-316 - brushed # 22.10.212-0

SS-316 - polished # 22.10.262-0

SS-304 - brushed # 22.10.212-9

Zamak - raw # 22.10.212-8

Model "Tube \varnothing 48,3 mm" without cushions

SS-304 - brushed # 22.10.213-9

EPDM-cushions to regulate glass thickness to be bought separately

Optional:

Safety pins \varnothing 5,5 x 18 mm

White plastic # 22.10.240

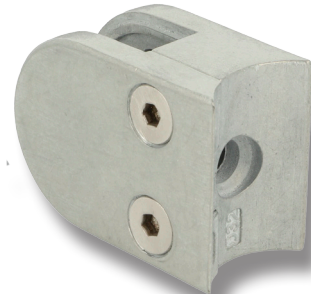
Cover cap - silver color # 22.10.251

Mounting screws SS-304

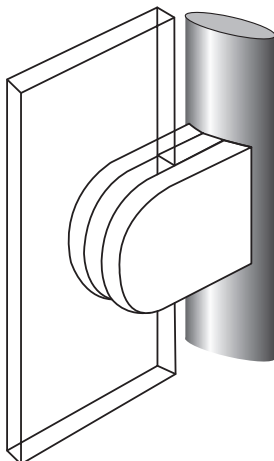
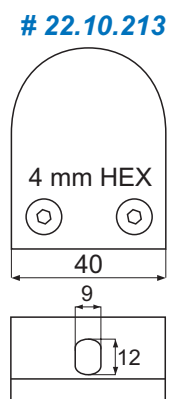
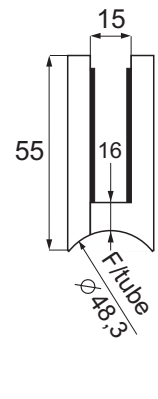
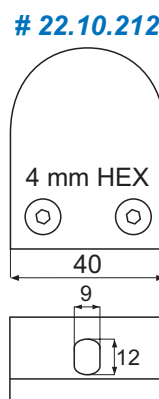
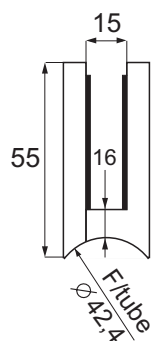
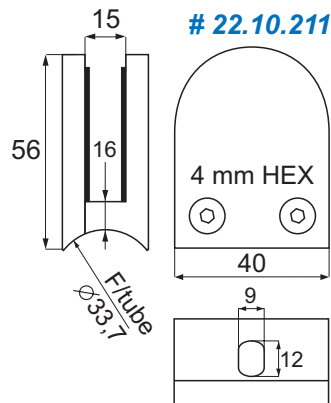
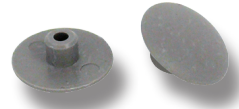
M8 x 12 mm # 22.10.248

M8 x 14 mm # 22.10.249-0

M8 x 16 mm # 22.10.249-5



TÜV APPROVED - EN 12600



Attention: All zamak clamps are with \varnothing 9 mm fixing hole

MODEL „OVAL-S“	Glass thickness	Glass Type	Cushion mm	Item numbers		
	6	mono	5 + 5	22.10.217	+	22.10.217
	6,76	Lam.	4 + 5	22.10.216	+	22.10.217
	8	mono	4 + 4	22.10.216	+	22.10.216
	8,76	Lam.	3 + 4	22.10.215	+	22.10.216
	10	mono	3 + 3	22.10.215	+	22.10.215
	10,76	Lam.	2 + 3	22.10.214	+	22.10.215

STAINLESS STEEL & ZAMAK CLAMPS "OVAL-L" – FLAT BACK

Material: Brushed stainless steel 304, 316 or zamak, raw

Glass thickness: 6 - 12,76 mm
Size: 44,5 x 62,2 x 28,8 mm (SS)
Size: 45 x 63,2 x 29 mm (Zamak)

Model "Flat" without cushions
 SS-316 – brushed # 22.10.620-0
 SS-304 – brushed # 22.10.620-9
 Zamak – raw # 22.10.620-8

Incl. plastic cover caps but NO cushions or safety pin

EPDM cushions to regulate glass thickness to be bought separately.

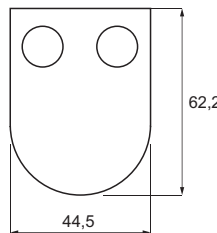
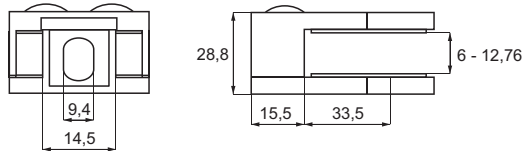
Optional:
 Safety pin – ø 6 x 22 mm
 SS-316 – w/rubber ring # 22.10.642

Mounting screws SS-304
 M8 x 12 mm # 22.10.248-0
 M8 x 14 mm # 22.10.249-0
 M8 x 16 mm # 22.10.249-5
 M8 x 25 mm # 22.10.249-9



TÜV APPROVED - EN 12600

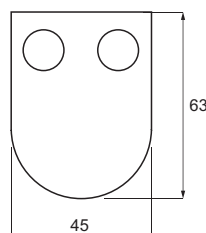
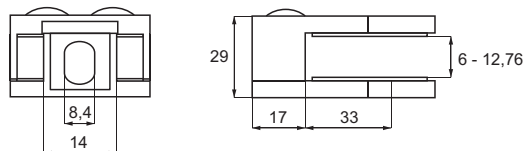
SS-316 # 22.10.620-0
SS-304 # 22.10.620-9



Cushions for stainless steel models

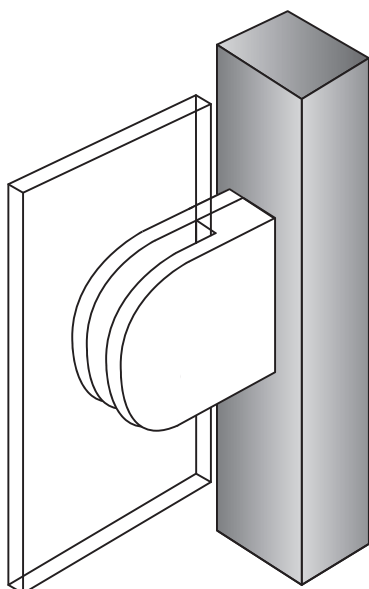
MODEL „B”	Glass thickness	Glass Type	Cushion mm	Item No.:
	6	mono	2 x 6,32	22.10.629-0
	6,76	Lam.	2 x 5,80	22.10.628-0
	8	mono	2 x 5,25	22.10.627-0
	8,76	Lam.	2 x 4,80	22.10.626-0
	10	mono	2 x 4,23	22.10.625-0
	10,76	Lam.	2 x 3,75	22.10.624-0
	12	mono	2 x 3,20	22.10.624-5
	12,76	Lam.	2 x 2,90	22.10.624-6

Zamak raw # 22.10.620-8



Cushions for zamak models

MODEL „E”	Glass thickness	Glass Type	Cushion mm	Item No.:
	6	mono	2 x 6,10	22.10.680-0
	6,76	Lam.	2 x 5,72	22.10.679-0
	8	mono	2 x 5,10	22.10.678-0
	8,76	Lam.	2 x 4,72	22.10.677-0
	10	mono	2 x 4,10	22.10.676-0
	10,76	Lam.	2 x 3,72	22.10.675-0
	12	mono	2 x 3,20	22.10.675-5
	12,76	Lam.	2 x 2,90	22.10.675-6



STAINLESS STEEL & ZAMAK GLASS CLAMPS "OVAL-L" - CURVED BACK

- high quality furniture fittings



Material: Brushed stainless steel 304 & 316 or zamak, raw

Glass thickness: 6 - 10,76 mm

Size: 45 x 64 x 26,5 mm

Model "Tube ø33,7 mm" without cushions

SS-316 - brushed # 22.10.221-0

SS-304 - brushed # 22.10.221-9

Zamak - raw # 22.10.221-8

Model "Tube ø42,4 mm" without cushions

Zamak - raw # 22.10.222-8

Model "Tube ø48,3 mm" without cushions

Zamak - raw # 22.10.223-8

EPDM-cushions to regulate glass thickness to be bought seperately

Optional:

Safety pins ø7,5 x 19 mm

SS-304 w/tube # 22.10.242

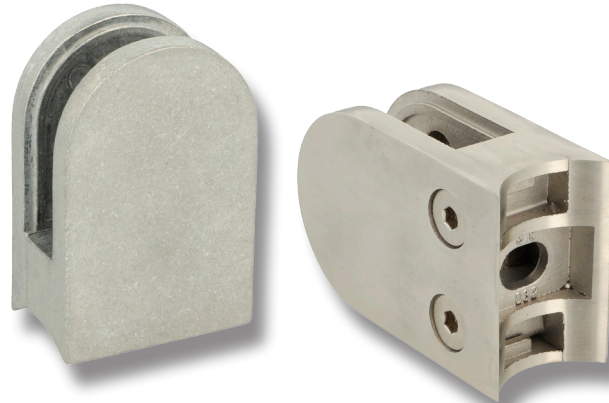
Cover cap - silver color # 22.10.251

Mounting screws SS-304

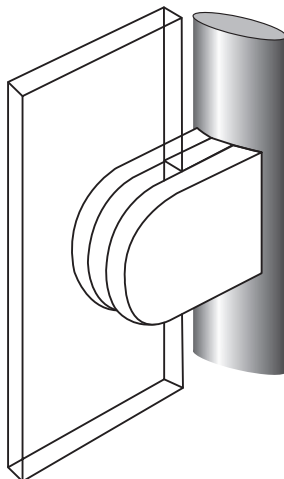
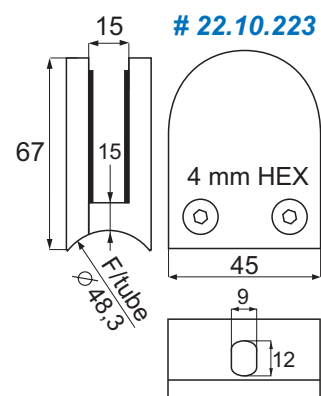
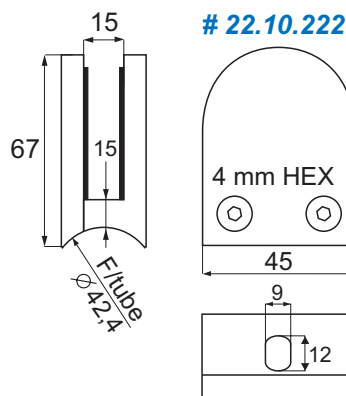
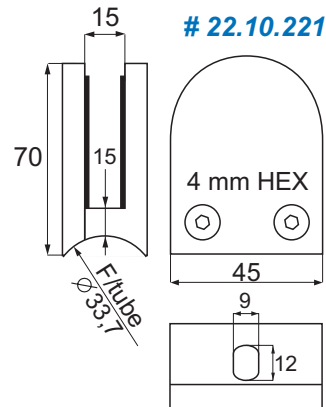
M8 x 12 mm # 22.10.248

M8 x 14 mm # 22.10.249-0

M8 x 16 mm # 22.10.249-5



TÜV APPROVED - EN 12600



Attention: All zamak clamps are with ø9 mm fixing hole

MODEL „OVAL-L“	Glass thickness	Glass Type	Cushion mm	Item numbers		
	6	mono	5 + 5	22.10.227	+	22.10.227
	6,76	Lam.	4 + 5	22.10.226	+	22.10.227
	8	mono	4 + 4	22.10.226	+	22.10.226
	8,76	Lam.	3 + 4	22.10.225	+	22.10.226
	10	mono	3 + 3	22.10.225	+	22.10.225
	10,76	Lam.	2 + 3	22.10.224	+	22.10.225

STAINLESS STEEL & ZAMAK CLAMPS "OVAL-L" - CURVED BACK

Material: Brushed stainless steel 304, 316 or zamak, raw

Glass thickness: 6 - 12,76 mm

Size: 44,5 x 67,5 x 28,8 mm (SS)

Size: 45 x 67,7 x 29 mm (Zamak)

Model "Tube Ø42,4 mm" without cushions

SS-316 – brushed # 22.10.622-0

SS-304 – brushed # 22.10.622-9

Zamak – raw # 22.10.622-8

Incl. plastic cover caps but NO cushions or safety pin

EPDM cushions to regulate glass thickness to be bought separately.

Optional:

Safety pin – ø 6 x 22 mm

SS-316 – w/rubber ring # 22.10.642

Mounting screws SS-304

M8 x 12 mm # 22.10.248-0

M8 x 14 mm # 22.10.249-0

M8 x 16 mm # 22.10.249-5

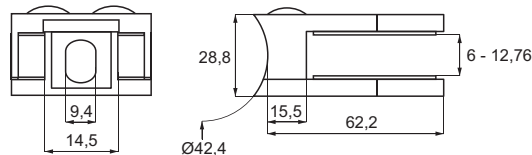
M8 x 25 mm # 22.10.249-9



TÜV APPROVED - EN 12600

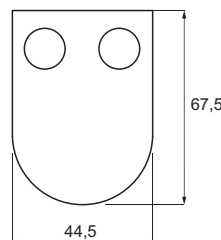
SS-316 # 22.10.622-0

SS-304 # 22.10.622-9

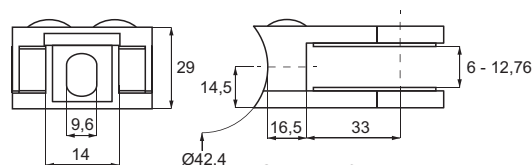


Cushions for stainless steel models

MODEL „B”	Glass thickness	Glass Type	Cushion mm	Item No.:
	6	mono	2 x 6,32	22.10.629-0
	6,76	Lam.	2 x 5,80	22.10.628-0
	8	mono	2 x 5,25	22.10.627-0
	8,76	Lam.	2 x 4,80	22.10.626-0
	10	mono	2 x 4,23	22.10.625-0
	10,76	Lam.	2 x 3,75	22.10.624-0
	12	mono	2 x 3,72	22.10.624-5
	12,76	Lam.	2 x 3,72	22.10.624-6

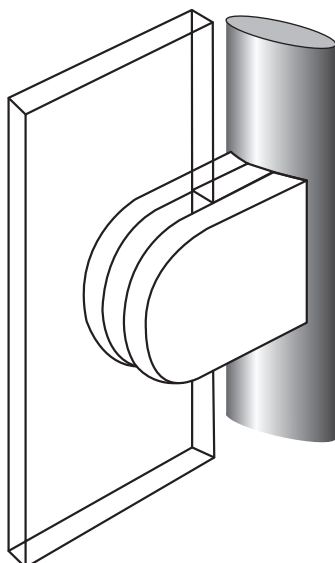
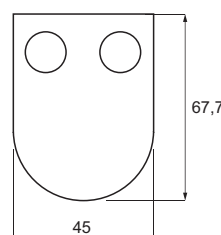


Zamak raw # 22.10.622-8



Cushions for zamak models

MODEL „E”	Glass thickness	Glass Type	Cushion mm	Item No.:
	6	mono	2 x 6,10	22.10.680-0
	6,76	Lam.	2 x 5,72	22.10.679-0
	8	mono	2 x 5,10	22.10.678-0
	8,76	Lam.	2 x 4,72	22.10.677-0
	10	mono	2 x 4,10	22.10.676-0
	10,76	Lam.	2 x 3,72	22.10.675-0
	12	mono	2 x 3,20	22.10.675-5
	12,76	Lam.	2 x 2,90	22.10.675-6



STAINLESS STEEL & ZAMAK GLASS CLAMP "SQUARE" W/BOTTOM PLATE

- high quality furniture fittings



Material:

Brushed stainless steel 316, 304 or zamak, raw

Glass thickness:

6,76 - 12,76 mm (Zamak)
6,76 - 10,76 mm (SS-316 & 304)

Size:

45 x 45 x 23 mm

Specifications:

Flat back side.
W/bottom plate & safety pin
Without cushions (to be bought separately)

Item No.:

Zamak raw # 22.10.700-0
SS-316 - brushed # 22.10.720-0
SS-304 - brushed # 22.10.720-9
SS-316 - polished # 22.10.721-0
SS-304 - polished # 22.10.711-0

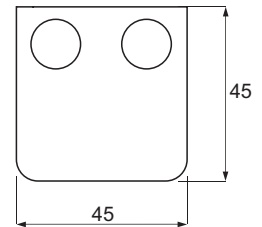
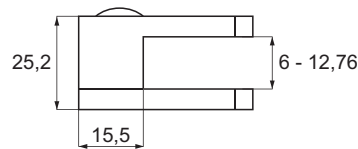
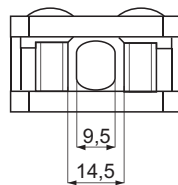
Optional:

Mounting screws SS-304
M8 x 12 mm # 22.10.248
M8 x 14 mm # 22.10.249-0
M8 x 16 mm # 22.10.249-5



TÜV APPROVED - EN 12600

Zamak raw # 22.10.700-0



Cushions for zamak model

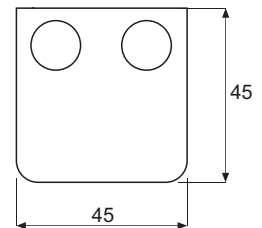
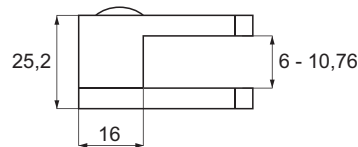
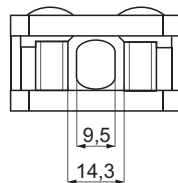
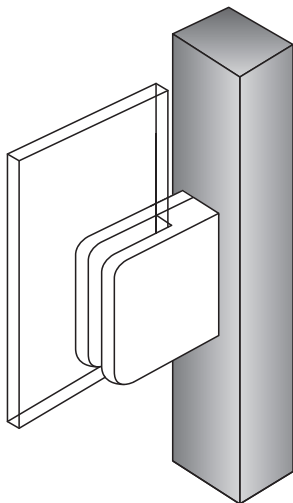
MODEL „H”	Glass thickness	Glass Type	Cushion mm	Item No.:
	6	mono	2 x 5,80	22.10.697
	6,76	Lam.	2 x 5,42	22.10.696
	8	mono	2 x 4,80	22.10.695
	8,76	Lam.	2 x 4,42	22.10.694
	10	mono	2 x 3,80	22.10.693
	10,76	Lam.	2 x 3,42	22.10.692-9
	12	mono	2 x 2,70	22.10.692-8
	12,76	Lam.	2 x 2,30	22.10.692-7

SS-316 # 22.10.721-0 polished

SS-304 # 22.10.711-0 polished

SS-316 # 22.10.720-0 brushed

SS-304 # 22.10.720-9 brushed



Cushions for stainless steel model

MODEL „C”	Glass thickness	Glass Type	Cushion mm	Item No.:
	6	mono	2 x 5,70	22.10.674
	6,76	Lam.	2 x 5,30	22.10.673
	8	mono	2 x 4,75	22.10.672
	8,76	Lam.	2 x 4,30	22.10.671
	10	mono	2 x 3,70	22.10.670
	10,76	Lam.	2 x 3,30	22.10.669

STAINLESS STEEL GLASS CLAMP "SQUARE" W/BOTTOM PLATE FOR 8 – 12,76 MM GLASS

Material: SS-316
Size: 55 x 55 x 34 mm
Glass thickness: 8 – 12,76 mm

Specifications:
 Flat or curved back
 W/bottom plate
 Cushions & safety pin to be bought separately

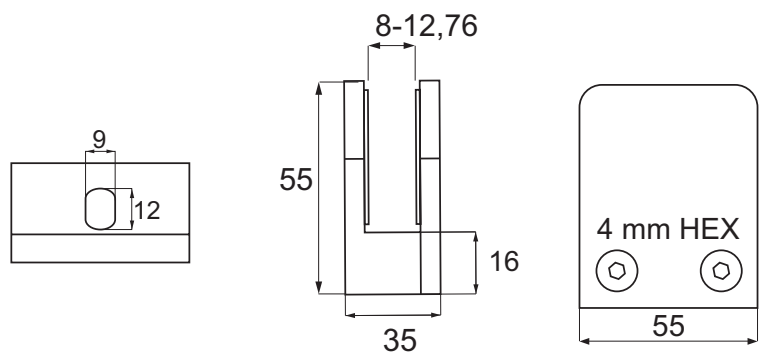
Item No.:
 Brushed – Flat back # 22.10.723-0
 Black matt – Flat back # 22.10.723-4
 Brushed – ø 42,4 mm Tube # 22.10.724-0

Optional:
 Safety pin – ø 6 x 24 mm
 SS-316 – w/rubber ring # 22.10.641

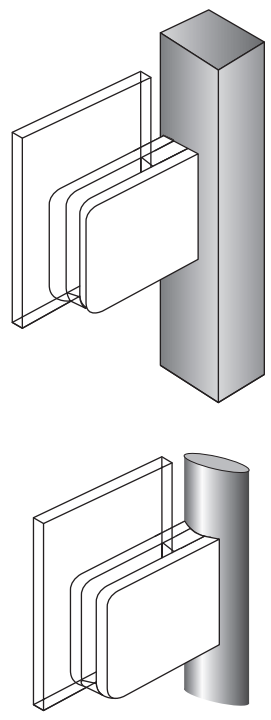
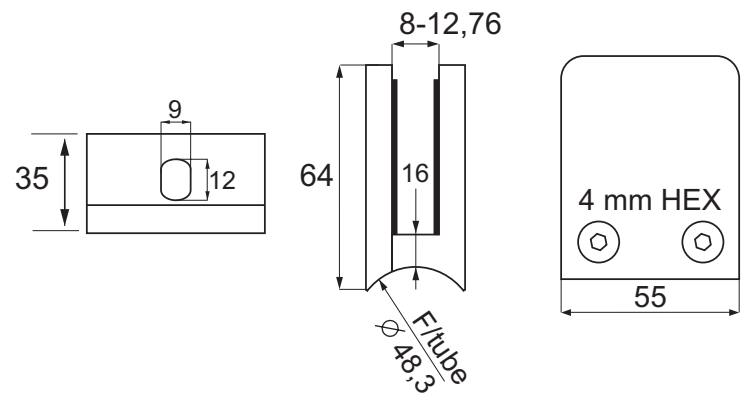


TÜV APPROVED - EN 12600

SS-316 #22.10.723-0 brushed
SS-316 #22.10.723-4 black matt



SS-316 #22.10.724-0 brushed



CUSHIONS:

MODEL „I”	Glass thickness	Glass Type	Cushion mm	Item numbers
	8	mono	2 x 4,60	22.10.699-4
	8,76	Lam.	2 x 4,30	22.10.699-5
	10	mono	2 x 3,60	22.10.699-6
	10,76	Lam.	2 x 3,30	22.10.699-7
	12	mono	2 x 2,50	22.10.699-0
	12,76	Lam.	2 x 2,10	22.10.699-9

STAINLESS STEEL GLASS CLAMP "SQUARE" W/BOTTOM PLATE FOR 16 – 17,52 MM GLASS

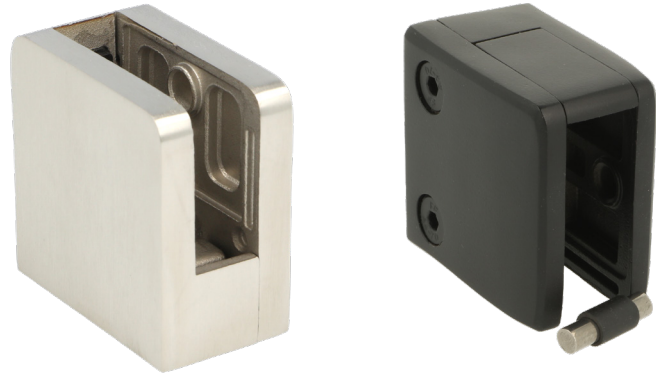
- high quality furniture fittings



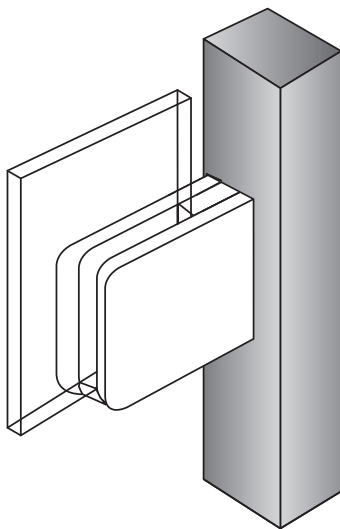
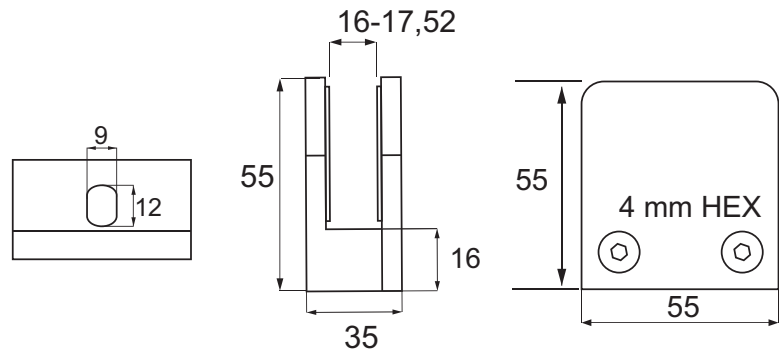
Material: SS-316
Size: 55 x 55 x 34 mm
Glass thickness: 16 – 17,52 mm

Specifications:
 Flat back
 W/bottom plate & Safety pin
 Cushions to be bought separately

Item No.:
 SS-316 – Brushed # 22.10.726-0
 SS-316 – Black matt # 22.10.726-4



TÜV APPROVED - EN 12600



CUSHIONS:

MODEL „J”	Glass thickness	Glass Type	Cushion mm	Item numbers
	16	mono	2 x 2,50	22.10.705-0
	16,76	Lam.	2 x 2,10	22.10.706-0
	17,52	mono	2 x 1,80	22.10.707-0

Description:

Stand-off with adjustable back plate.
Can be adjusted up to 10 mm.

Material:

Stainless Steel 316 - brushed

Size:

ø 50 x 25 or 40 mm

Glass thickness:

6,76 to 14 mm

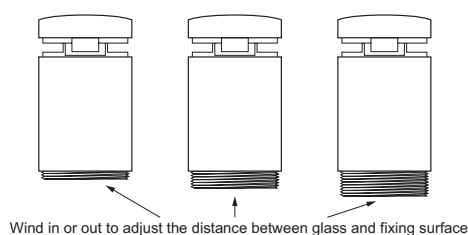
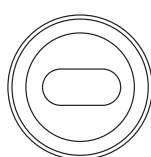
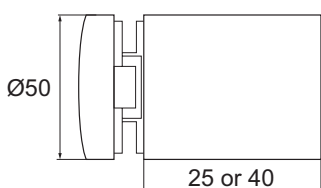
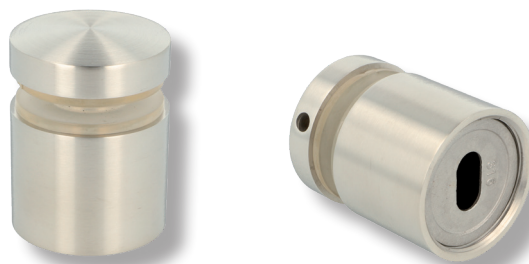
Hole Drilling in glass:

ø 26 mm

Item No.:

ø 50 x 25 mm # 22.10.472

ø 50 x 40 mm # 22.10.475



STAINLESS STEEL GLASS CLAMP "CORNER" - 90°

Material: Brushed stainless steel 316

Glass thickness: 6 - 10 mm

Size: 73,5 x 73,5 x 45,5 mm

Specifications:

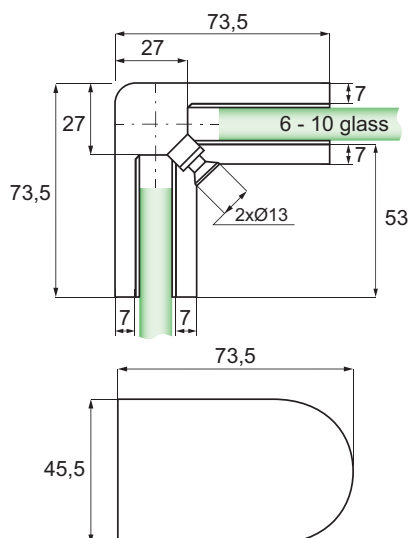
Glass to glass

90° angle

Item No.:

22.10.280

Without cushions (to be bought separately)



Cushions

MODEL „N”	Glass thickness	Glass Type	Cushion mm	Item No.:
	6	mono	4 x 4,8	on request
	6,76	Lam.	4 x 4,4	on request
	8	mono	4 x 4,0	22.10.285
	8,76	Lam.	4 x 3,6	22.10.286
	10	mono	4 x 3,0	22.10.287

ADJUSTABLE STAND-OFF GLASS ADAPTER

- high quality furniture fittings

Description:

For square tube or flat surface.

Supplied with a M10 x 50 mm or 70 mm bolt that can be removed to fit a longer stud or M10 wood dowel.

A fixing hole in the side of the flat head (front disc) is provided for tightening the disc

Size: \varnothing 50 x 10, 20 or 30 mm

Material: SS-316 – brushed

Glass thickness: 8 – 20 mm

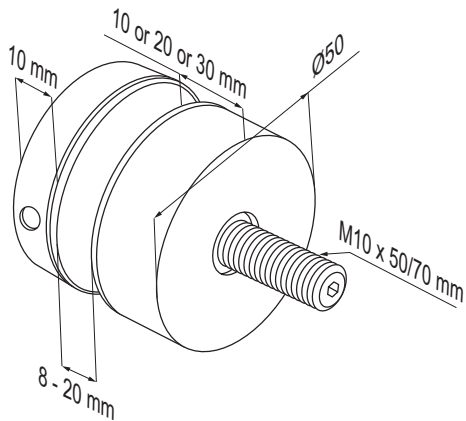
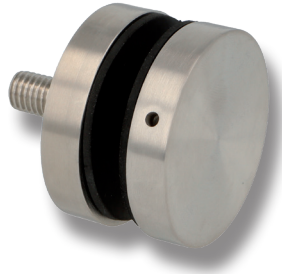
Hole drilling in glass: \varnothing 14 mm

Item No.:

\varnothing 50 x 10 mm, Bolt M10 x 50 mm # 22.10.477

\varnothing 50 x 20 mm, Bolt M10 x 50 mm # 22.10.478

\varnothing 50 x 30 mm, Bolt M10 x 70 mm # 22.10.479



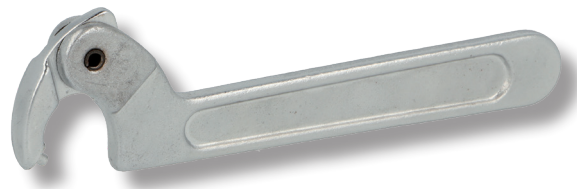
SPANNER FOR STAND-OFF GLASS ADAPTER

Description:

To be used for adapters from \varnothing 50 to 52 mm.

Material: Steel

Item No.: 22.10.453



SS-316 GLASS STIFFENERS "HEAVY" F/16,76 - 19 MM GLASS

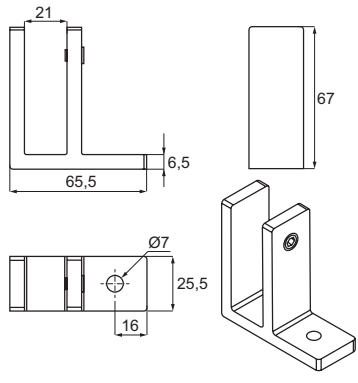
"HEAVY" - MODEL WALL/GLASS - 90°

Material: Brushed stainless steel 316

Size: 67 x 65,5 mm

Item No.: # 22.10.270

Clamps incl. plastic gaskets with adhesive tape.



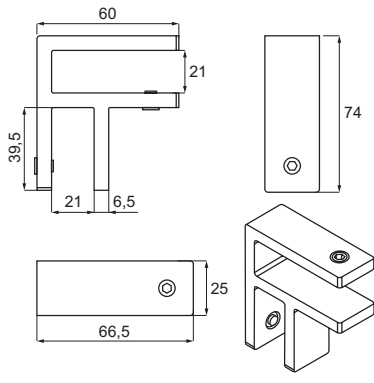
"HEAVY" - MODEL GLASS/GLASS - 90°

Material: Brushed stainless steel 316

Size: 74 x 60 mm

Item No.: # 22.10.273

Clamps incl. plastic gaskets with adhesive tape.



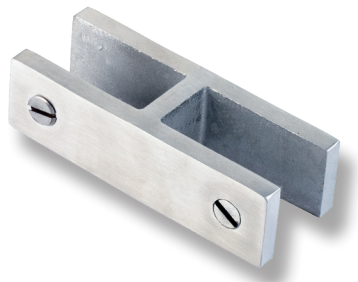
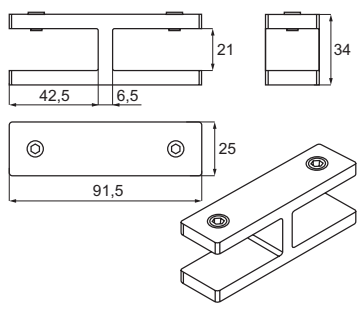
"HEAVY" - MODEL GLASS/GLASS - 180°

Material: Brushed stainless steel 316

Size: 91,5 x 25 mm

Item No.: # 22.10.276

Clamps incl. plastic gaskets with adhesive tape.



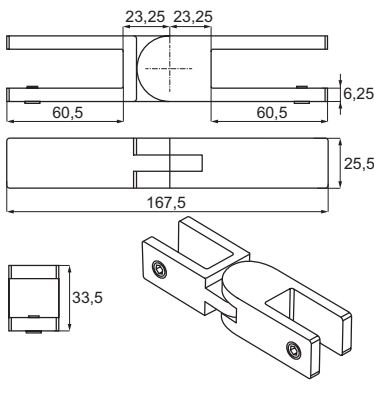
"HEAVY" - MODEL GLASS/GLASS - SWIVEL

Material: Brushed stainless steel 316

Size: 167,5 x 25,5 mm

Item No.: # 22.10.279

Clamps incl. plastic gaskets with adhesive tape.



BALUSTER POSTS IN SS-304 - 960 MM HEIGHT - W/PRE-INSTALLED RAIL SUPPORTS

- high quality furniture fittings



Application:

Baluster posts square or round tubes, for balconies, balustrades, stair cases etc.

Material:

Brushed stainless steel 304

Sizes:

40 x 40 x 960 x 1,5 mm
or $\varnothing 42,2$ x 960 x 1,7 mm

Specifications:

Supplied with pre-tapped holes for mounting of glass clamps. Fixed or flexible handrail tops (not adjustable in the height)

Models:

Square w/fixed handrail top f/square tubes

W/ 2 holes on 2 sides for 90° angle # 22.10.352

Square w/flexible handrail top f/square tubes

W/ 2 through holes # 22.10.355
W/2 holes on one side # 22.10.356
W/ 2 holes on 2 sides for 90° angle # 22.10.357

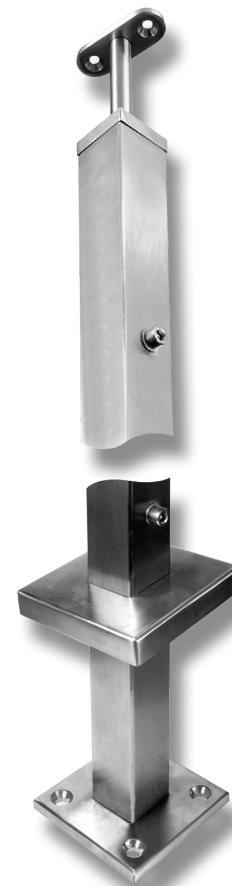
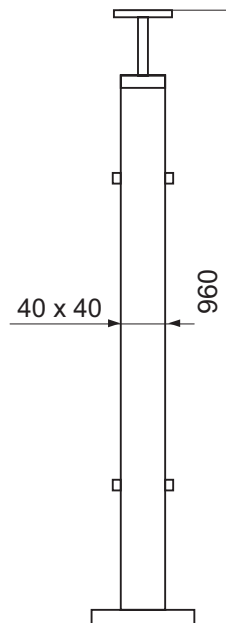
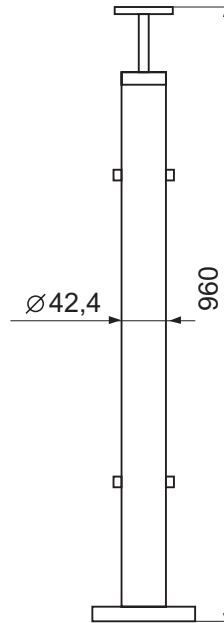
Round w/fixed handrail top f/ $\varnothing 42,2$ mm tubes

W/ 2 through holes # 22.10.360

Packing:

1 post incl. mounting screws M8 x 14 mm for fixing of glass clamps. Incl. base cover & 4 floor plugs and screws

Glass clamps to be ordered separately.



Flexible handrail top



BALUSTER POSTS IN SS-316, Ø42,4 MM

Application:
Baluster posts w/round tube
F/balconies, balustrades, stair cases etc.

Material:
Brushed stainless steel 316

Specifications:
Supplied with or without pre-tapped holes
For mounting of glass clamps.
Handrail tops to be ordered separately

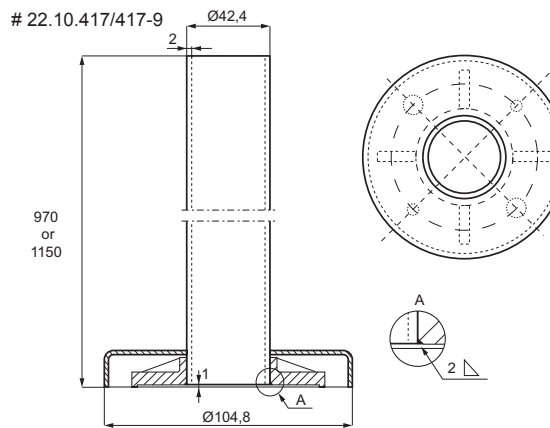
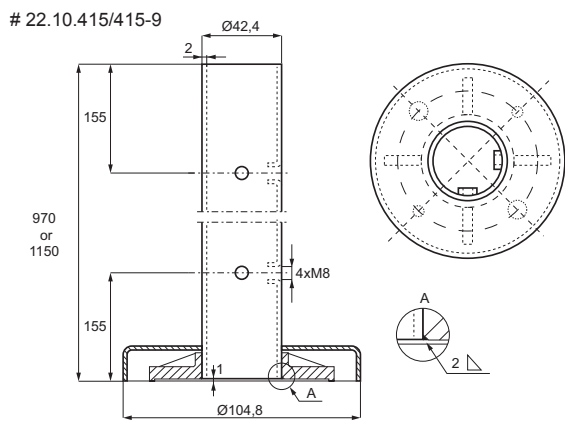
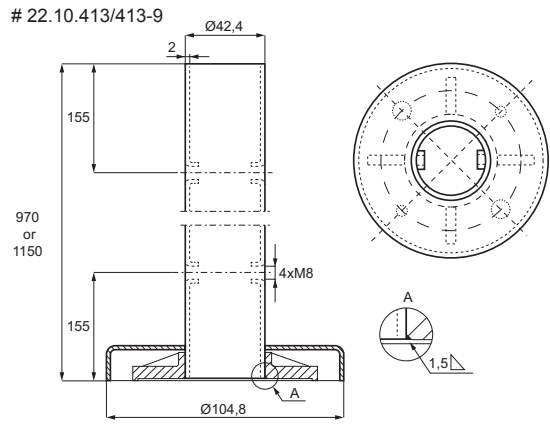
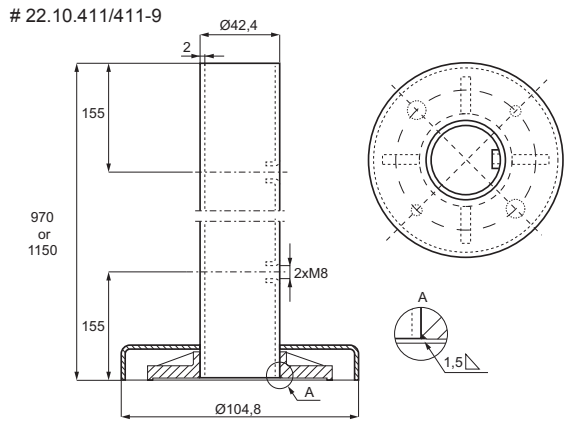
Size: ø42,4 x 2 x 970 or 1150 mm

Model:
End Baluster – 2 holes on 1 side
970 mm # 22.10.411-9
1150 mm # 22.10.411-0

180° Baluster – 4 holes on 2 sides
970 mm # 22.10.413-9
1150 mm # 22.10.413-0

90° Baluster – 4 holes on 2 sides
970 mm # 22.10.415-9
1150 mm # 22.10.415-0

Baluster – No holes
970 mm # 22.10.417-9
1150 mm # 22.10.417-0



RAIL SUPPORTS F/ROUND BALUSTER POSTS IN SS-304 & SS-316

- high quality furniture fittings



Application:

To be used with Baluster posts w/round tube.

Material:

Brushed stainless steel 304 & 316

Specifications:

Supplied with fixed or flexible top

Size: $\varnothing 42,4 \times 2 \times 79/81\text{mm}$

Model:

Fixed support f/Square handrails

SS-304 # 22.10.398

SS-316 # 22.10.399

Fixed support f/Round handrails

SS-304 # 22.10.400

SS-316 # 22.10.401

Flexible support f/Square handrails

SS-304 # 22.10.402

SS-316 # 22.10.403

Flexible support f/Round handrails

SS-304 # 22.10.404

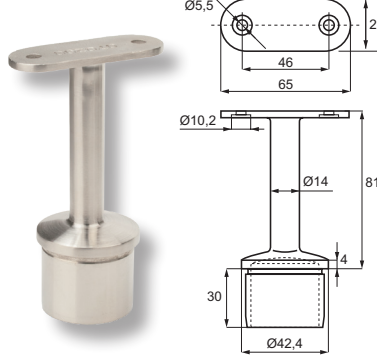
SS-316 # 22.10.405

90° Fixed support f/Round handrails

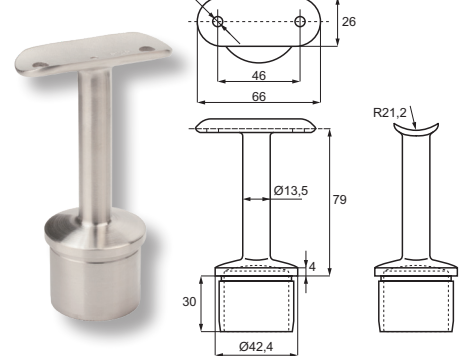
SS-304 # 22.10.406

SS-316 # 22.10.407

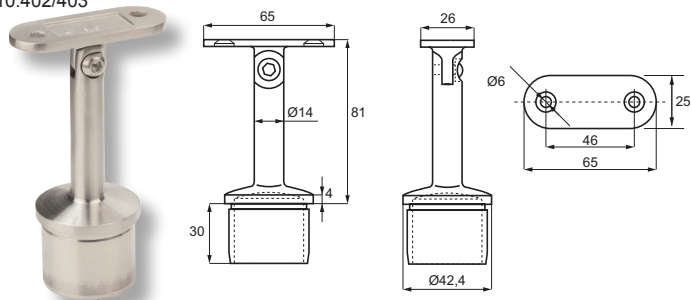
22.10.398/399



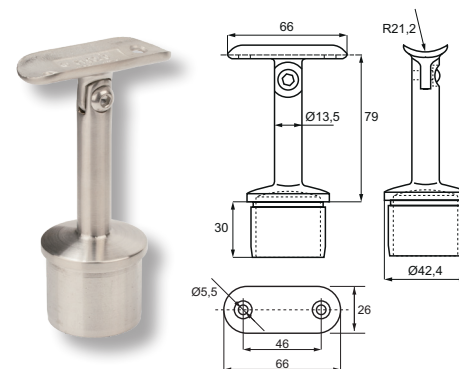
22.10.400/401



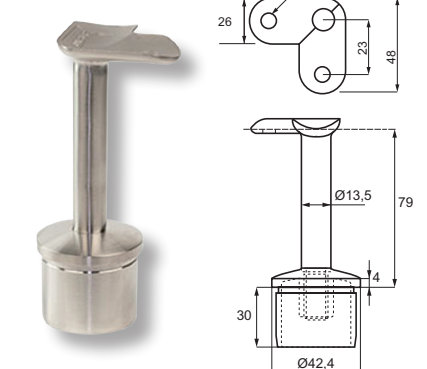
22.10.402/403



22.10.404/405



22.10.406/407



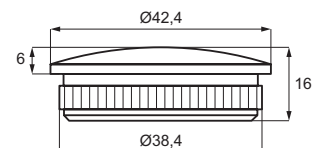
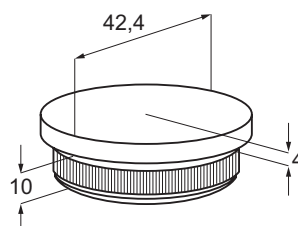
END CAPS F/ROUND BALUSTER POSTS IN SS-304 & SS-316

Flat end cap

SS-304 # 22.10.460

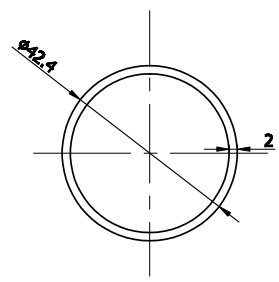
Domed ripped end cap

SS-316 # 22.10.461



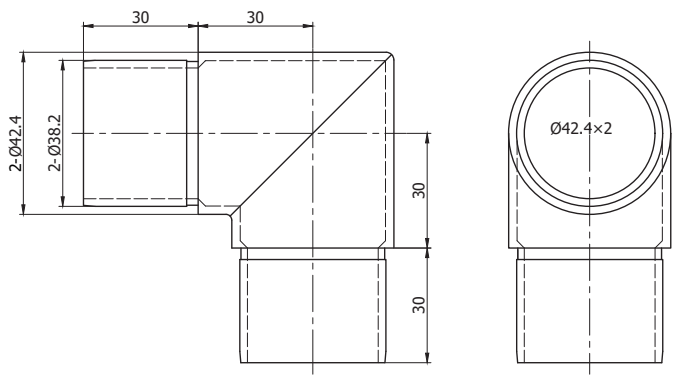
ROUND HANDRAIL

Material: Brushed stainless steel 316
 Size: Ø42,4 x 2 x 3000 mm
 Item No.: # 22.10.419



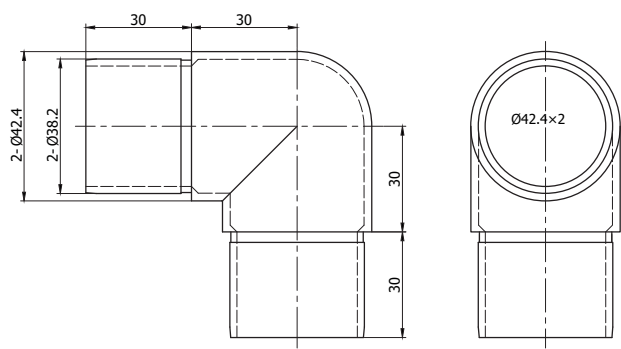
90 DG CONNECTOR - STRAIGHT CORNER

Material: Brushed stainless steel 316
 Tube size: Ø42,4 mm
 Item No.: # 22.10.420-0



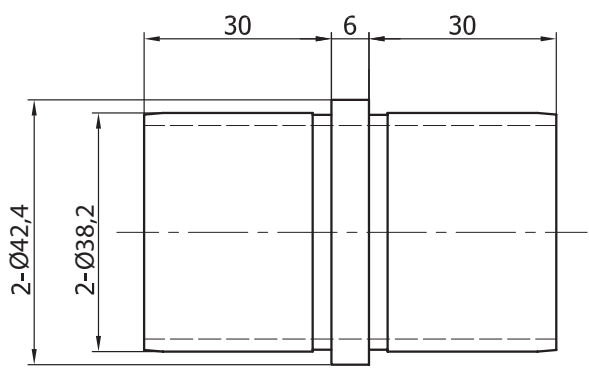
90 DG CONNECTOR - ROUNDED CORNER

Material: Brushed stainless steel 316
 Tube size: Ø42,4 mm
 Item No.: # 22.10.420-8



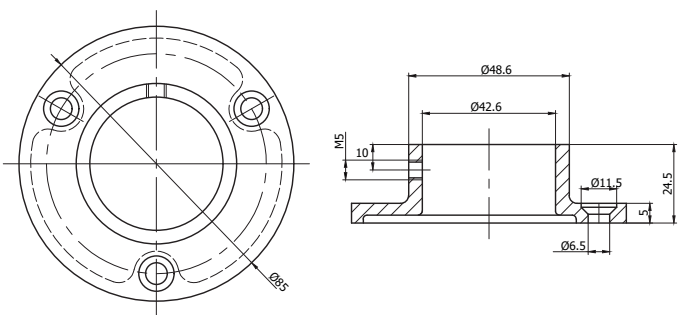
180 DG CONNECTOR

Material: Brushed stainless steel 316
 Tube size: Ø42,4 mm
 Item No.: # 22.10.421



WALL BRACKET

Material: Brushed stainless steel 316
 Tube size: Ø42,4 mm
 Item No.: # 22.10.422



BALUSTER POSTS IN SS-316, 40 X 40 MM

- high quality furniture fittings

Application:

Baluster posts w/square tubes
F/balconies, balustrades, stair cases etc.

Material:

Brushed stainless steel 316

Specifications:

Supplied with or without pre-tapped holes
For mounting of glass clamps.
Handrail tops to be ordered separately

Size: 40 x 40 x 2 x 970 or 1150 mm

Model:

- End Baluster – 2 holes on 1 side
- 970mm # 22.10.441-9
- 1150mm # 22.10.441-0

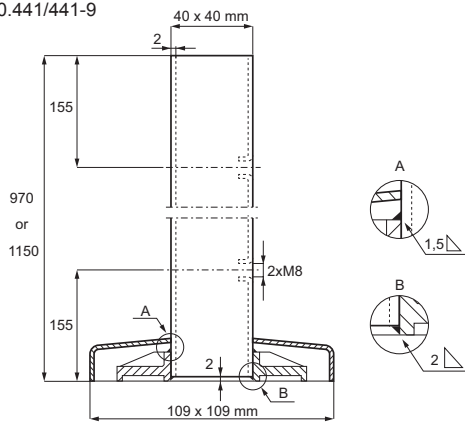
- 180° Baluster – 4 holes on 2 sides
- 970mm # 22.10.443-9
- 1150mm # 22.10.443-0

- 90° Baluster – 4 holes on 2 sides
- 970mm # 22.10.445-9
- 1150mm # 22.10.445-0

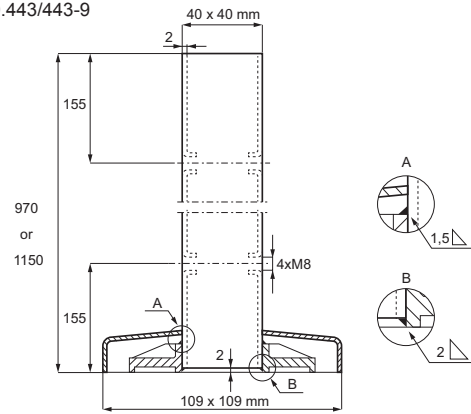
- Baluster – No holes
- 970mm # 22.10.447-9
- 1150mm # 22.10.447-0



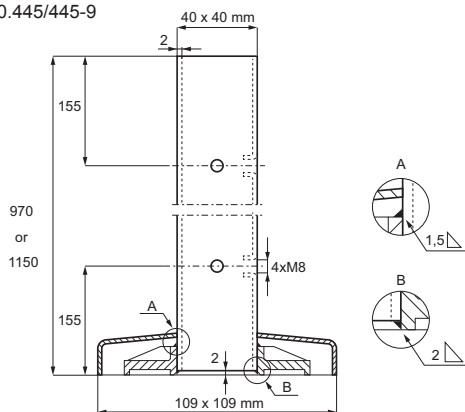
22.10.441/441-9



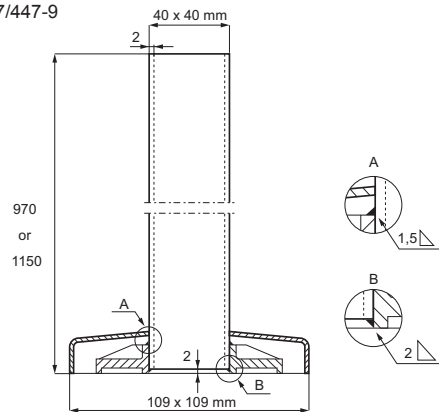
22.10.443/443-9



22.10.445/445-9



22.10.447/447-9



RAIL SUPPORTS F/SQUARE BALUSTER POSTS IN SS-304 & SS-316

Application:
To be used with Baluster posts w/square tube.

Material:
Brushed stainless steel 304 & 316

Specifications:
Supplied with fixed or flexible top

Size: 40 x 40 x 2 x 79/81 mm

Model:

Fixed support f/Square handrails
SS-304 # 22.10.430
SS-316 # 22.10.431

Fixed support f/Round handrails
SS-304 # 22.10.432
SS-316 # 22.10.433

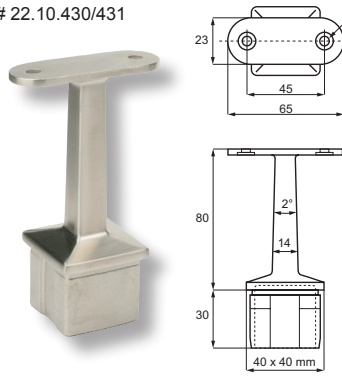
Flexible support f/Square handrails
SS-304 # 22.10.434
SS-316 # 22.10.435

Flexible support f/Round handrails
SS-304 # 22.10.436
SS-316 # 22.10.437

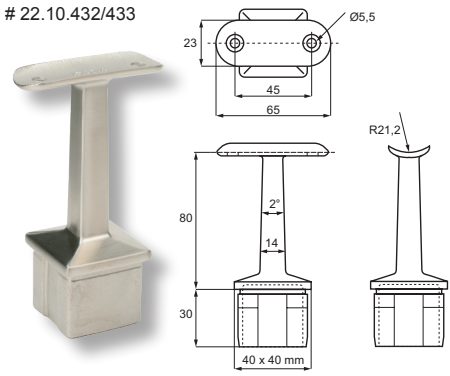
90° Fixed support f/Round handrails
SS-316 # 22.10.439-0

90° Fixed support f/Square handrails
SS-316 # 22.10.439-9

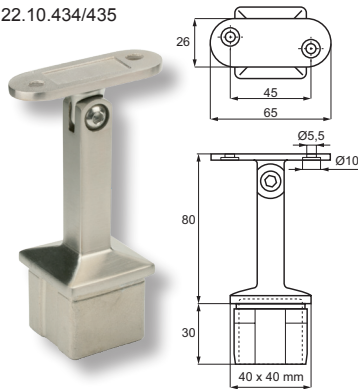
22.10.430/431



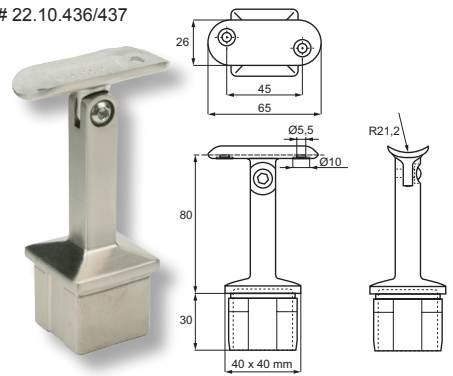
22.10.432/433



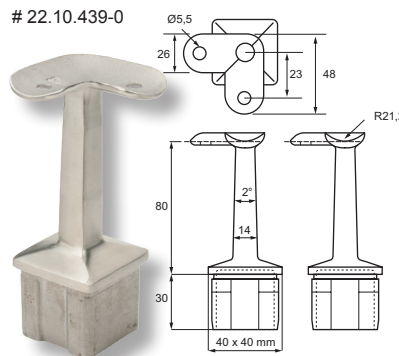
22.10.434/435



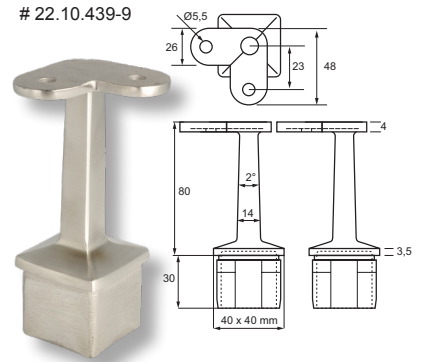
22.10.436/437



22.10.439-0



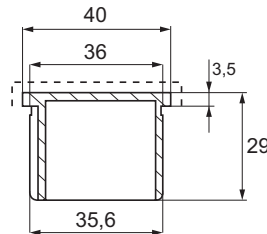
22.10.439-9



END CAP F/SQUARE BALUSTER POSTS IN SS-316

Flat end cap

SS-316 # 22.10.466



BLIND RIVET NUTS & TOOLING F/BALUSTER POSTS

Application:

To be used with Baluster posts without pre-drilled holes.

Size: M8 x 17 mm

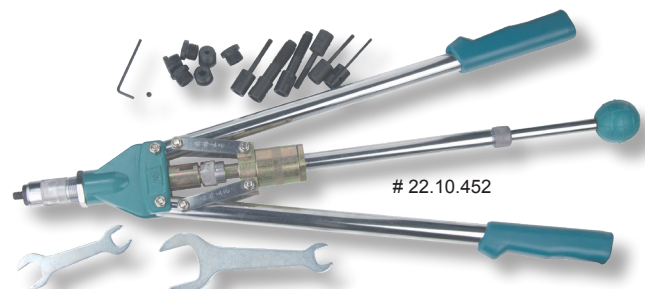
Rivet - SS-304 # 22.10.450

Rivet - SS-316 # 22.10.451

Tool # 22.10.452



22.10.450/451

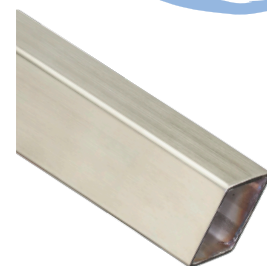
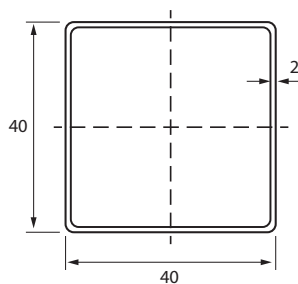


22.10.452

SQUARE HANDRAIL

Material: Brushed stainless steel 316

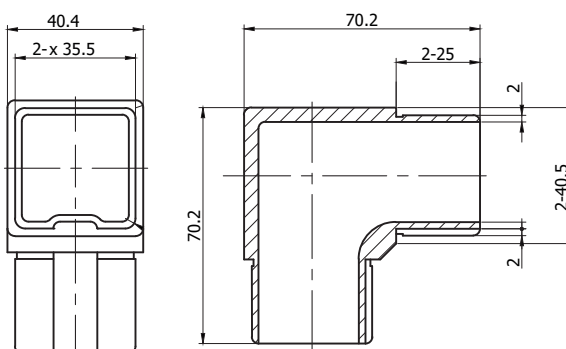
Size: 40 x 40 x 2 X 3000 mm
Item No.: # 22.10.423



90 DG CONNECTOR

Material: Brushed stainless steel 316

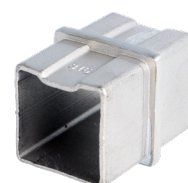
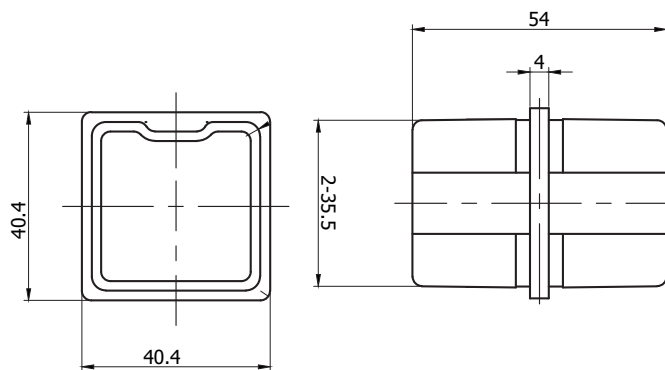
Tube size: 40 x 40 mm
Item No.: # 22.10.424



180 DG CONNECTOR

Material: Brushed stainless steel 316

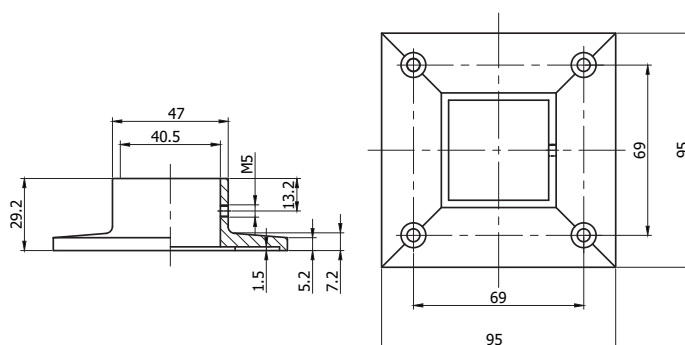
Tube size: 40 x 40 mm
Item No.: # 22.10.425



WALL BRACKET

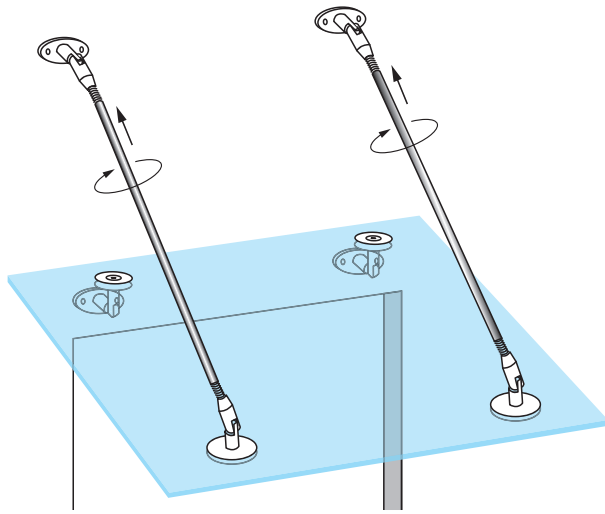
Material: Brushed stainless steel 316

Tube size: 40 x 40 mm
Item No.: # 22.10.426



CANOPY FITTINGS

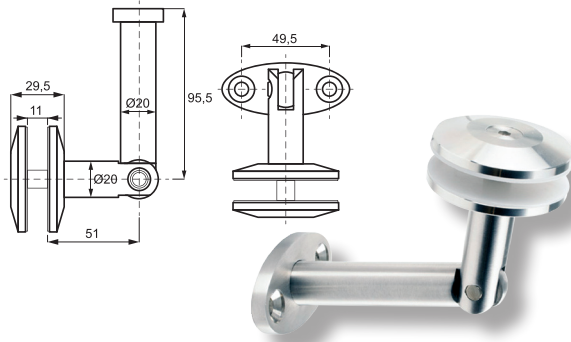
Material: SS-316, Brushed
Glass thickness: 12,76 mm
Max glass size: 750 x 1500 mm
Drill: Ø12 mm



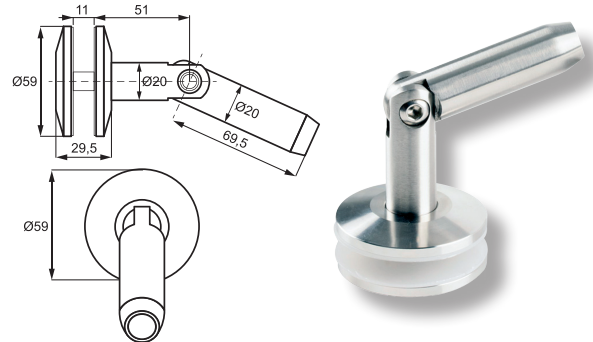
Glass/wall corner connector # 22.10.500



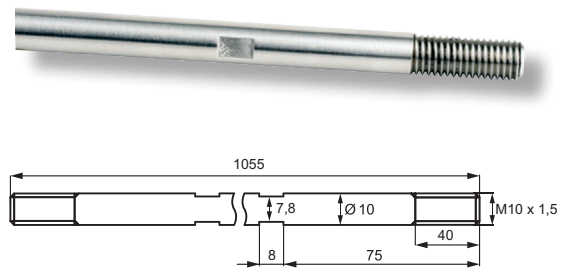
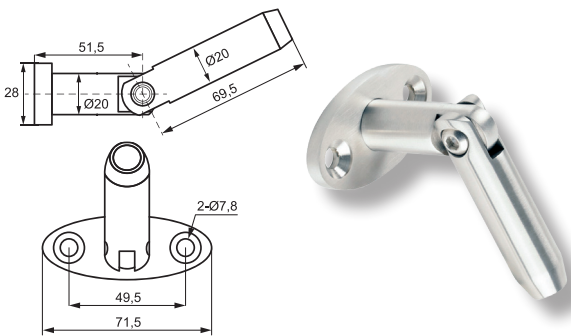
Glass/rod corner connector # 22.10.501



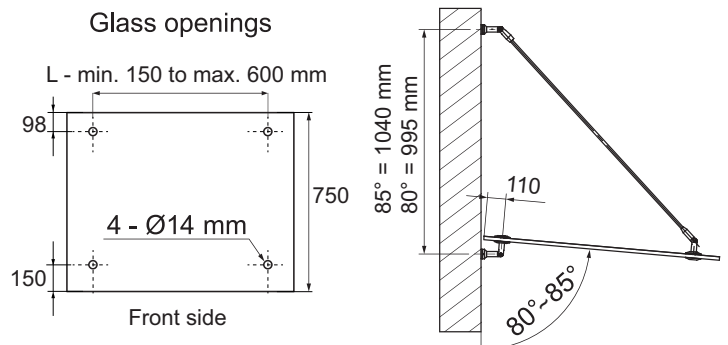
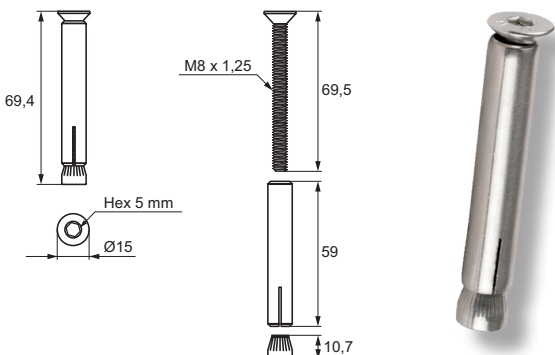
Wall/rod corner connector # 22.10.502



Rod connector 1000 mm # 22.10.503

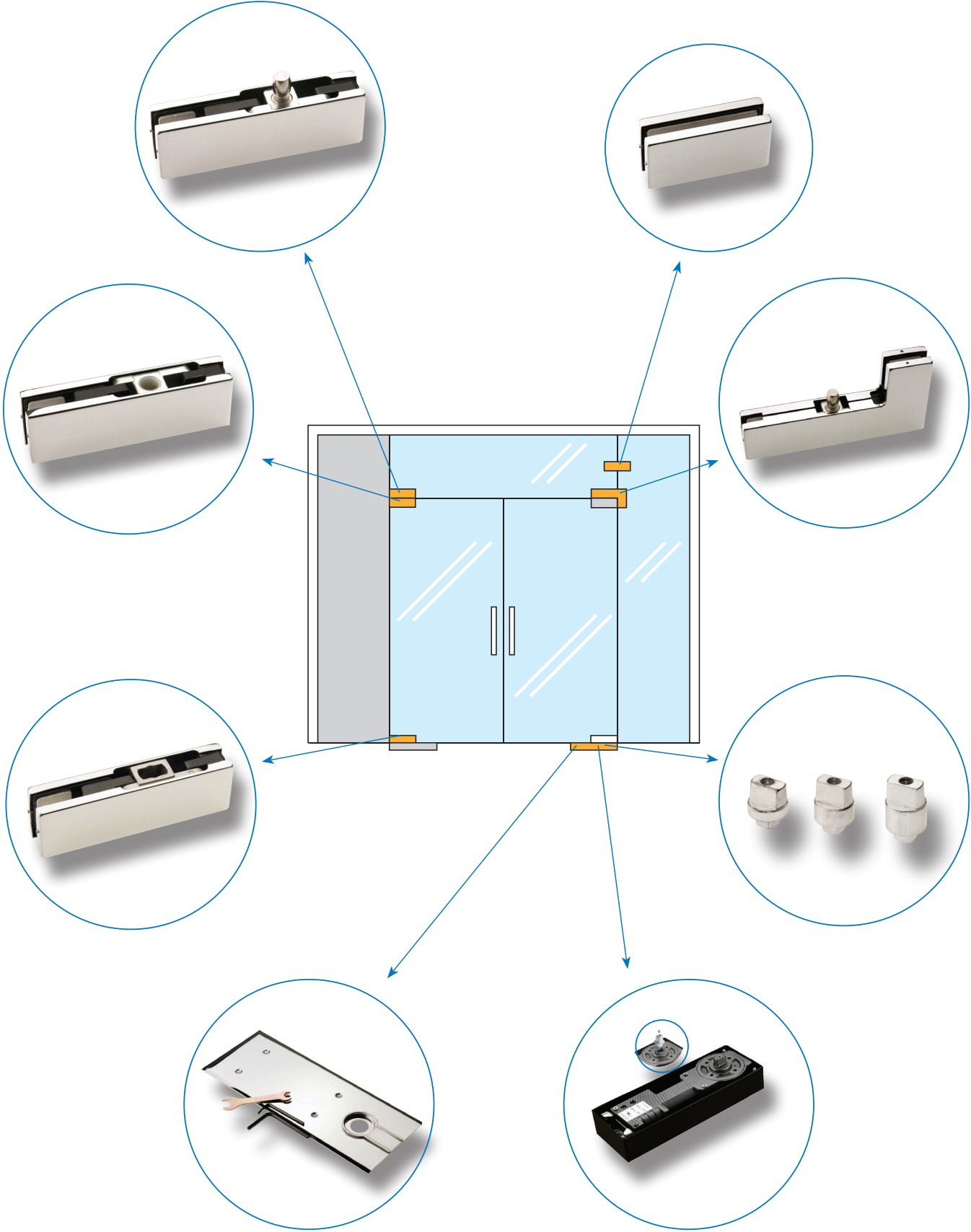


Expansion Bolt SS-316, M8 x 1,25 x 70 mm # 22.10.502-9



FLOOR SPRINGS & PATCH FITTINGS

- high quality furniture fittings



FLOOR SPRING "HEKLA" +/- 116° OPENING

Features:
 W/stop at +/- 90°
 Adjustment of closing speed
 +/- 90° to +/- 25 - 0°
 Floor spring box is 6 mm adjustable side to side & up/down
 W/fixed or interchangeable spindle
 Built-in decompression valve that prevents door from damage in case of strong wind
 No cover plate

Material: Steel

Size: 50 x 295 x 106 mm
Max door width: 1100 mm
Max opening: +/- 116°
Max load: 135 kg
Cycles: 500.000

W/fixed 3 mm stainless steel spindle (excl. cover plate) # 17.87.200

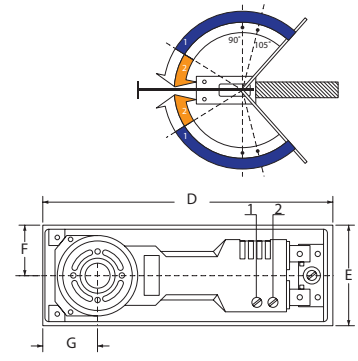
w/interchangeable 3 mm stainless steel spindle (excl. cover plate) # 17.87.201



A	B	C	D	E	F	G
50	311	124	295	106	49	53-60

EN 1154 approved

1 section adjust 90° -25° closing speed
 2 section adjust 25° -0° closing speed



FLOOR SPRING "VESTIA" – NO HOLD +/- 180° OPENING

Features:
 No stop at +/-90 or +/-180° but hold/stop at any point after +/-110 to +/-180°.
 Adjustment of closing speed 180 – 25° & from 25 – 0°
 Floor spring box is 6 mm adjustable side to side & up/down.
 W/Interchangeable spindle
 Build-in decompression valve that prevents door from damage in case of strong wind
 Especially suitable for double doors
 No cover plate

Material: Steel

Size: 50 x 295 x 106 mm
Max door width: 1100 mm
Max opening: +/- 180°
Max load: 135 kg
Cycles: 500.000

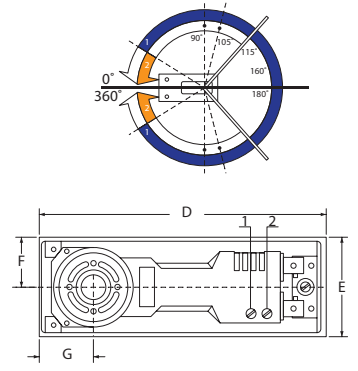
W/interchangeable 3 mm stainless steel spindle. (excl. cover plate) #17.87.205



A	B	C	D	E	F	G
50	311	124	295	105	49	53-60

EN 1154 approved

1 section adjust 180° -25° closing speed
 2 section adjust 25° -0° closing speed



COVER PLATE SS-304 F/FLOOR SPRINGS "HEKLA" & "VESTIA"

- high quality furniture fittings



Feature:
Cover plate for floor springs

Material:
Stainless steel SS-304

Size: 311 x 124 x 1 mm (L/W/T)

Finish:
Polished # 17.87.206
Brushed # 17.87.207

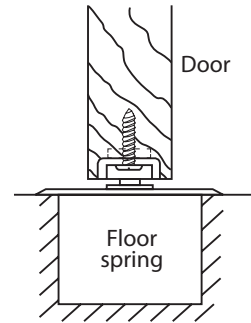
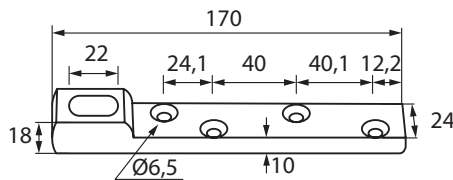


BOTTOM STRAP F/FLOOR SPRINGS F/WOODEN, ALU OR METAL DOORS

Feature:
To be used together with floor spring Hekla or Vestia for wooden, alu or metal doors

Material: Iron
Size: 24 x 170 mm (W/L)

Finish:
Raw # 17.87.213-5



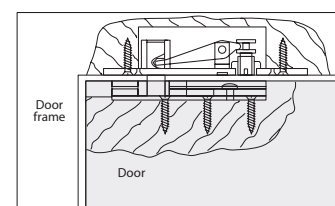
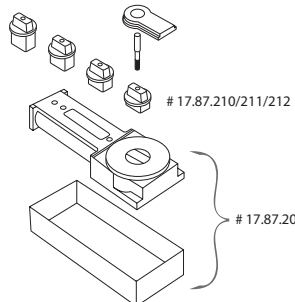
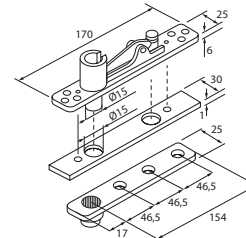
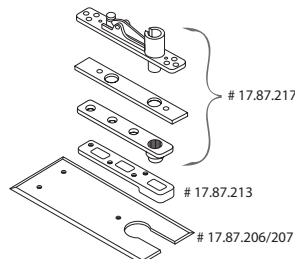
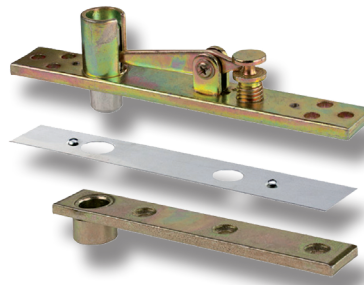
ADJUSTABLE TOP CENTRE "D" - IRON F/WOODEN, ALU OR METAL DOORS

Features:
To be used together with floor spring Hekla or Vestia for wooden, alu or metal doors

Material: Iron

Size: 25 x 170 mm (W/L)

Finish:
Yellow Zinc Plated # 17.87.217



FLOOR PIVOT BRACKET

Features:

To be used together with bottom patch fitting "ZIP" W/ball bearing

Material: SS-304

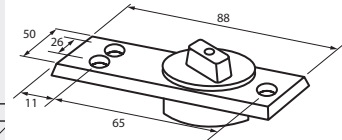
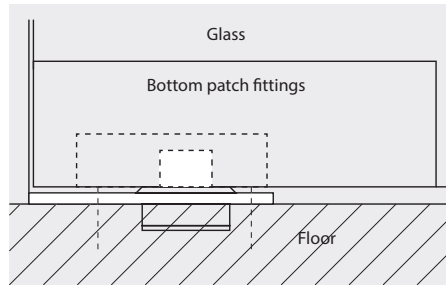
Size: 50 x 88 mm (W/L)

Spindle: 12 x 22 mm - 3 mm gap

Finish:

Polished # 17.87.218-1

Brushed # 17.87.218-8



TOP PIVOT BRACKET

Features:

To be used together with top patch fitting "ZIP"

Material: SS-304

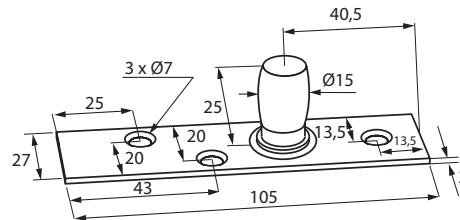
Size: 27 x 105 mm (W/L)

Pin: Ø15 mm

Finish:

Polished # 17.87.219-0

Brushed # 17.87.219-9



TOP PIVOT BRACKET "SABINA"

Features:

To be used together with top patch fitting "ZIP"

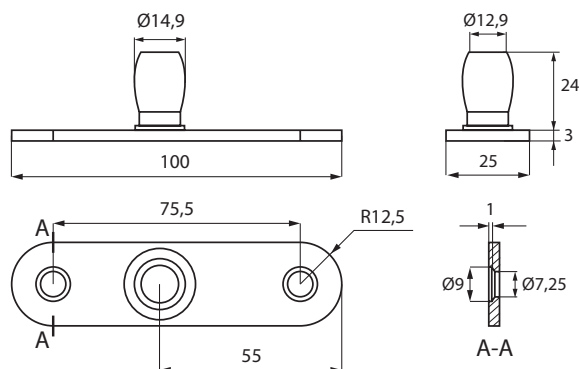
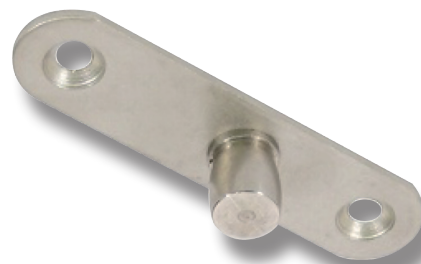
Material: SS-304

Size: 25 x 100 (W/L)

Pin: Ø14,9 mm

Finish:

Brushed # 17.87.245



WALL MOUNT GLASS CLAMP "ZIP"

- high quality furniture fittings



Features:

Drilling required

Material: Aluminium body & SS-304 cover

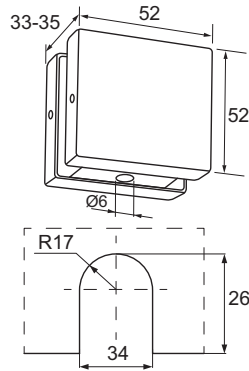
Size:

52 x 52 x 33 - 35 mm (H/L/W)

Glass thickness: 8 -12 mm glass

Item No.:

Brushed # 17.87.233



WALL MOUNT GLASS CLAMP "ZIP"

Features:

Drilling required

Material: Aluminium body & SS-304 cover

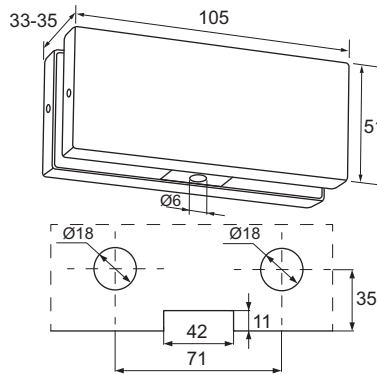
Size:

105 x 51 x 33 - 35 mm (H/L/W)

Glass thickness: 8 -12 mm glass

Item No.:

Brushed # 17.87.236



OVERPANEL CORNER PATCH FITTING "ZIP"

Features:

W/8mm horizontal adjustment

Cutting & drilling required

Material: Aluminium body & SS-304 cover

Size:

51 x 218 x 33 - 35 x 106 x 51 mm (H/L/W/H/L)

Glass thickness: 10-12 mm glass

Item No.:

Body only # 17.87.353

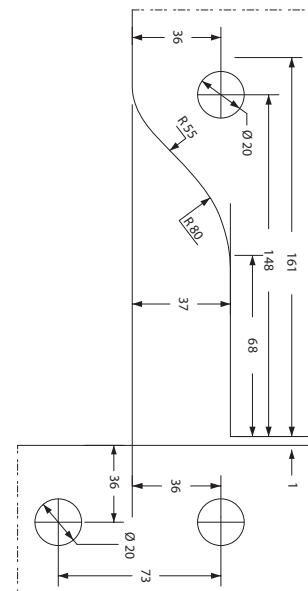
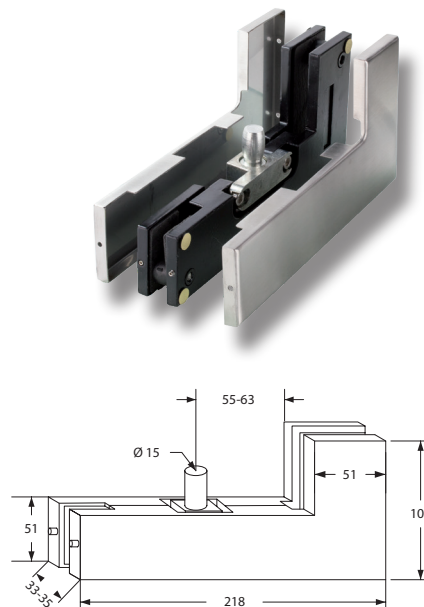
Cover plates:

Polished # 17.87.562-0

Black matt # 17.87.562-4

Brushed # 17.87.562-8

Alu-look # 17.87.562-9



OVERPANEL PATCH FITTING "ZIP"

Features:
 W/ 8 mm horizontal adjustment
 Cutting & drilling required

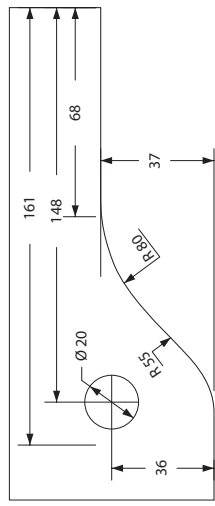
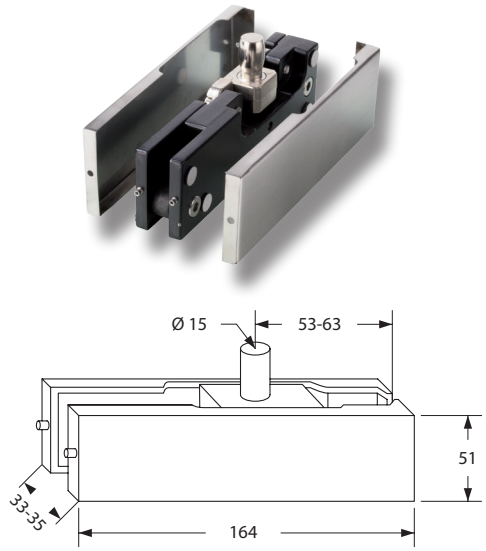
Material: Aluminium body & SS-304 cover

Size: 51 x 164 x 33 – 35 mm (H/L/W)

Glass thickness: 10-12 mm glass

Item No.:
 Body only # 17.87.352

Cover plates:
 Polished # 17.87.561-0
 Brushed # 17.87.561-8
 Alu-look # 17.87.561-9
 Black matt # 17.87.561-4



TOP PATCH FITTING "ZIP"

Features:
 W/8mm horizontal adjustment
 Cutting & drilling required

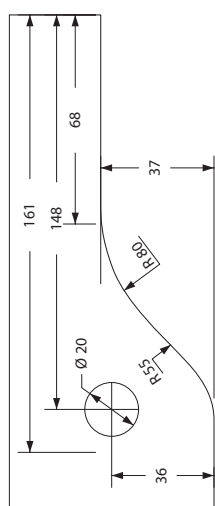
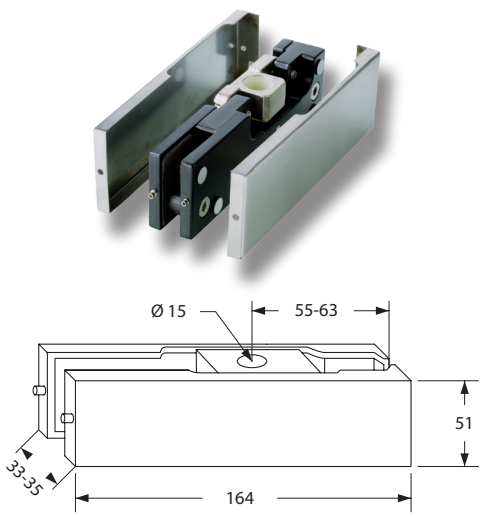
Material: Aluminium body & SS-304 cover

Size: 51 x 164 x 33 – 35 mm (H/L/W)

Glass thickness: 10-12 mm glass

Item No.:
 Body only # 17.87.351

Cover plates:
 Polished # 17.87.561-0
 Brushed # 17.87.561-8
 Alu-look # 17.87.561-9
 Black matt # 17.87.561-4



BOTTOM PATCH FITTING "ZIP"

Features:
 W/8mm horizontal adjustment
 Cutting & drilling required

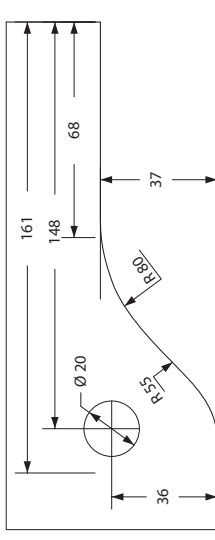
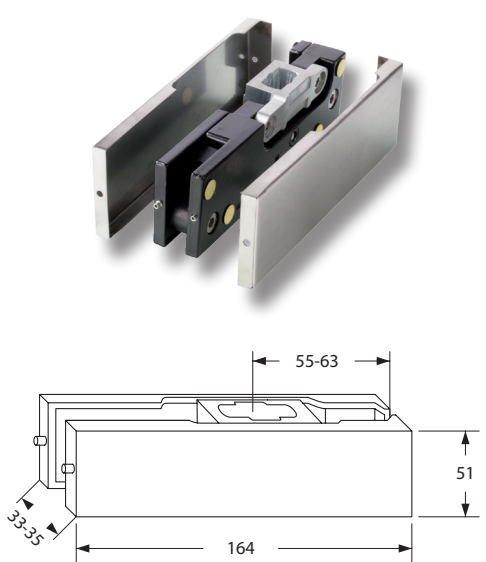
Material: Aluminium body & SS-304 cover

Size: 51 x 164 x 33 – 35 mm (H/L/W)

Glass thickness: 10-12 mm glass

Item No.:
 Body only # 17.87.350

Cover plates:
 Polished # 17.87.561-0
 Brushed # 17.87.561-8
 Alu-look # 17.87.561-9
 Black matt # 17.87.561-4



WALL MOUNTING FITTING W/BRACKET "ZIP"

- high quality furniture fittings

Features:

W/8 mm horizontal adjustment
Drilling required

Material:

Aluminium body & SS-304 cover

Size: 51 x 164 x 33 - 35 mm (H/L/W)

Glass thickness: 10-12 mm glass

Item No.:

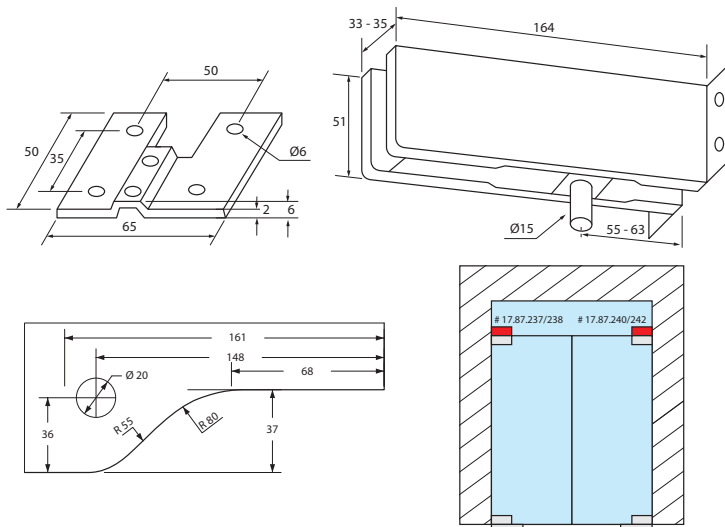
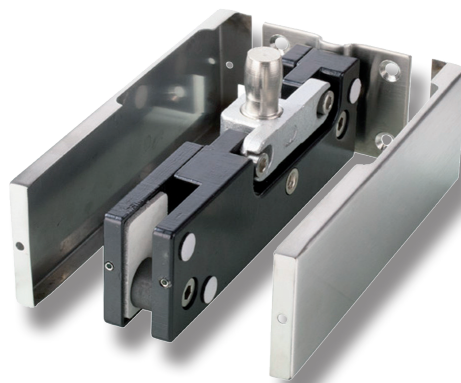
Body only # 17.87.354

Cover plates:

Polished # 17.87.567-0

Brushed # 17.87.567-8

Alu-look # 17.87.567-9



WALL MOUNTING FITTING W/EXPANSION PLUG "ZIP"

Features:

Drilling required

Material:

Aluminium body & SS-304 cover

Size: 51 x 164 x 33 - 35 mm (H/L/W)

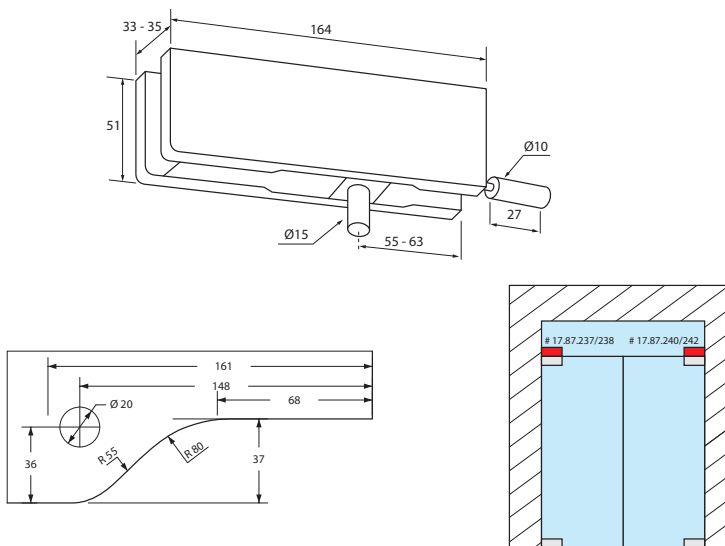
Glass thickness: 10-12 mm glass

Finish:

Polished # 17.87.240

Brushed # 17.87.241

Alu-look # 17.87.242



CORNER CONNECTOR "ZIP"

Features:

Drilling required

Material:

Aluminium body & SS-304 cover

Size:

53 x 106 x 33 - 35 mm x 53 x 106 mm

Glass thickness: 10-12 mm

Item No.:

Body only # 17.87.355

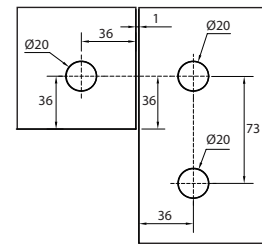
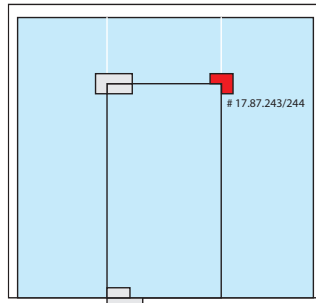
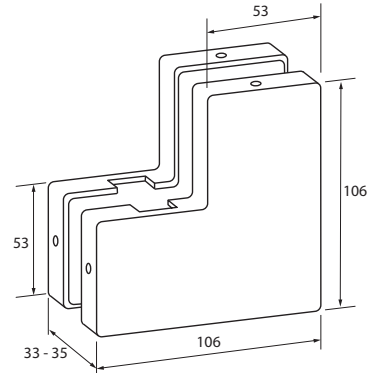
Finish:

Polished # 17.87.563-0

Brushed # 17.87.563-8

Alu-look # 17.87.563-9

Black matt # 17.87.563-4



CENTRE LOCK "ZIP"

Features:

Cutting/drilling required

Material:

Aluminium body & SS-304 cover

Size: 51 x 164 x 33 - 35 mm (H/L/W)

Glass thickness: 10 - 12 mm glass

Item No.:

Body only # 17.88.051

Cover plates:

Polished # 17.87.565-0

Black # 17.87.565-4

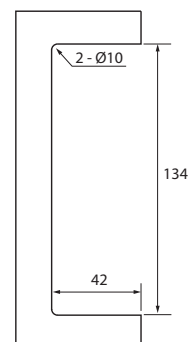
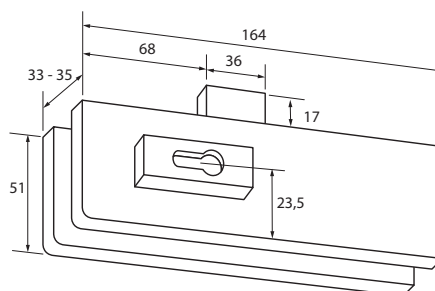
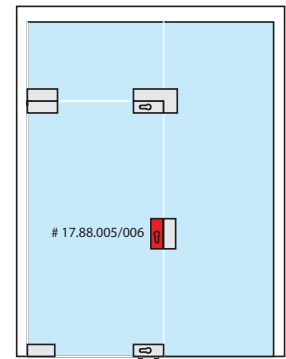
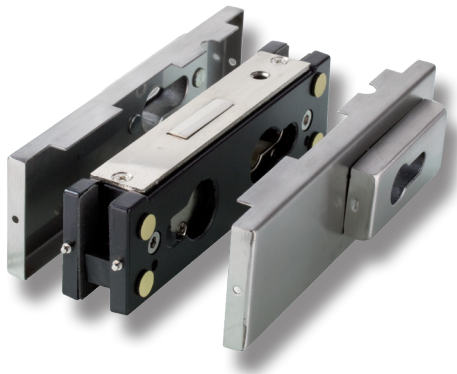
Brushed # 17.87.565-8

Alu-look # 17.87.565-9

Additional:

Brass Profile Cylinder
62 mm (26+10+26) - Yale key way

SS-look # 14.60.037



CENTRE LOCK STRIKER BOX "ZIP" F/DOUBLE DOORS

- high quality furniture fittings



Features:

Cutting/drilling required
To be used with centre lock "ZIP"

Material:

Aluminium body & SS-304 cover

Size: 51 x 164 x 33 – 35 mm (H/L/W)

Glass thickness: 10-12 mm glass

Item No.:

Body only # 17.88.052

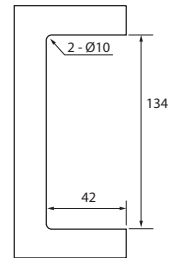
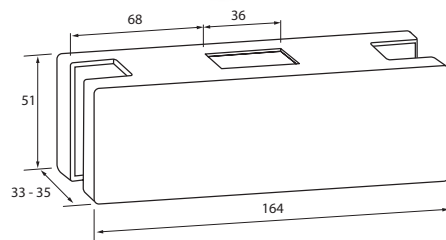
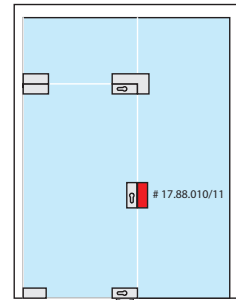
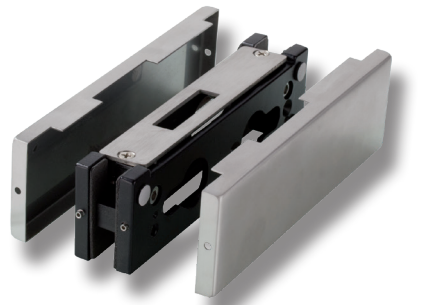
Cover plates:

Polished # 17.87.566-0

Black # 17.87.566-4

Brushed # 17.87.566-8

Alu-look # 17.87.566-9



CORNER LOCK "ZIP"

Features:

Cutting/drilling required

Material:

Aluminium body & SS-304 cover plates

Size: 51 x 164 x 33 – 35 mm (H/L/W)

Glass thickness: 10-12 mm glass

Item No.:

Body only # 17.88.050

Cover plates:

Polished # 17.87.564-0

Black # 17.87.564-4

Brushed # 17.87.564-8

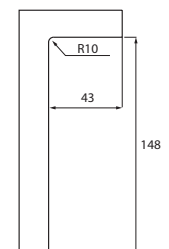
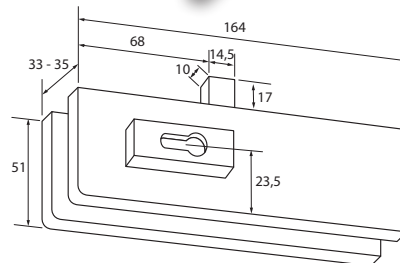
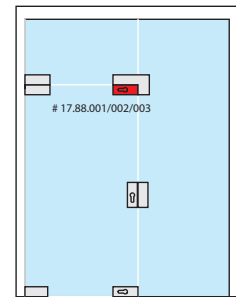
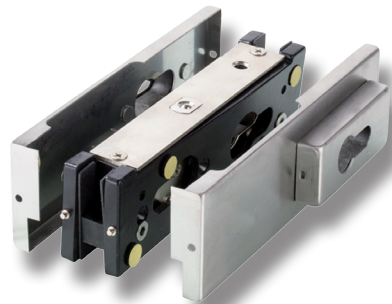
Alu-look # 17.87.564-9

Additional:

Brass Profile Cylinder

62 mm (26+10+26) - Yale key way

SS-look # 14.60.037



OVERPANEL CORNER LOCK STRIKER "ZIP" F/DOUBLE DOORS

Features:

Drilling required
To be used with corner lock "ZIP"

Material:

Aluminium body & SS-304 cover

Size:

51 x 218 x 33 – 35 mm x 51 x 106 mm (H/L/W/H/L)

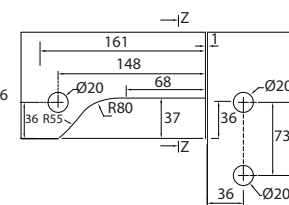
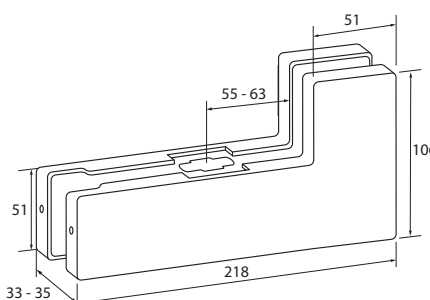
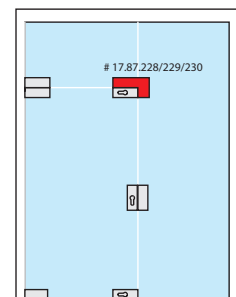
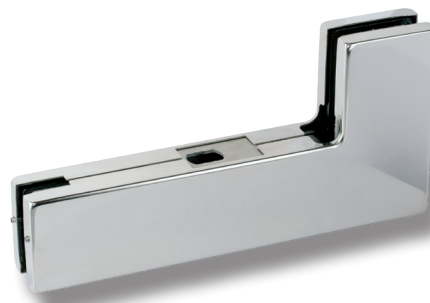
Glass thickness: 10-12 mm glass

Finish:

Polished # 17.87.228

Brushed # 17.87.229

Alu-look # 17.87.230



BOTTOM PATCH FITTING "LEX"

Features:

W/8 mm horizontal adjustment
Cutting & drilling required

Material:

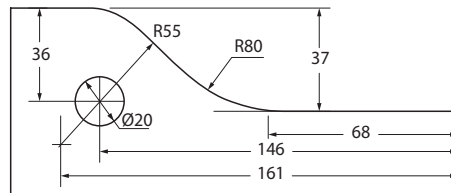
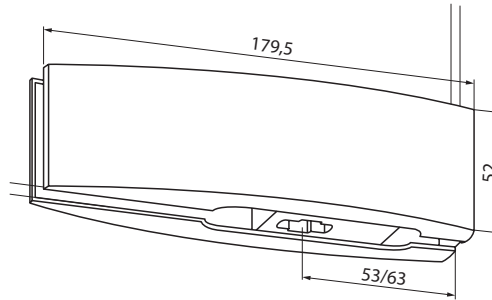
Aluminium body & SS-304 cover

Size: 52 x 179,5 x 45 mm (H/L/W)

Glass thickness: 10 - 12 mm glass

Finish:

Brushed # 17.87.321



TOP PATCH FITTING "LEX"

Features:

W/8 mm horizontal adjustment
Cutting & drilling required

Material:

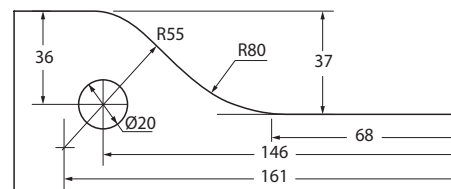
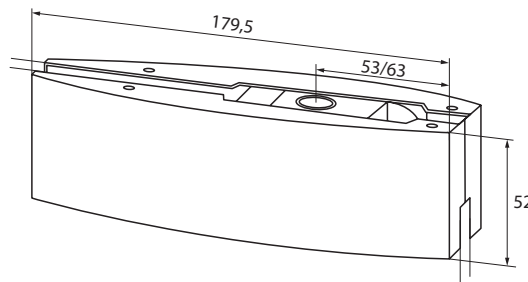
Aluminium body & SS-304 cover

Size: 52 x 179,5 x 45 mm (H/L/W)

Glass thickness: 10 - 12 mm glass

Finish:

Brushed # 17.87.323



OVERPANEL PATCH FITTING "LEX"

- high quality furniture fittings

Features:

W/8 mm horizontal adjustment
Cutting & drilling required

Material:

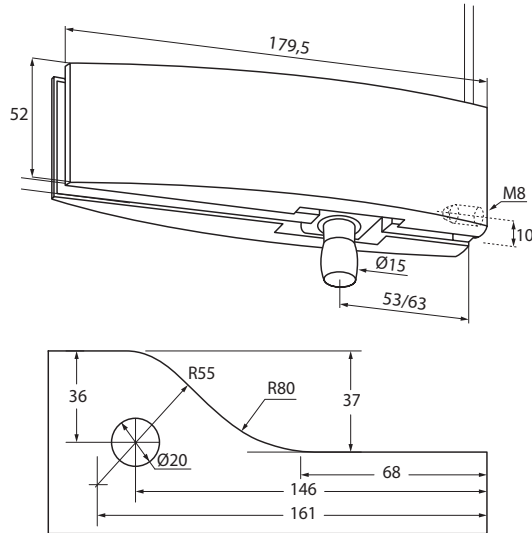
Aluminium body & SS-304 cover

Size: 52 x 179,5 x 45 mm (H/L/W)

Glass thickness: 10 - 12 mm glass

Finish:

Brushed # 17.87.325



OVERPANEL CORNER PATCH FITTING "LEX"

Features:

W/8 mm horizontal adjustment
Cutting & drilling required

Material:

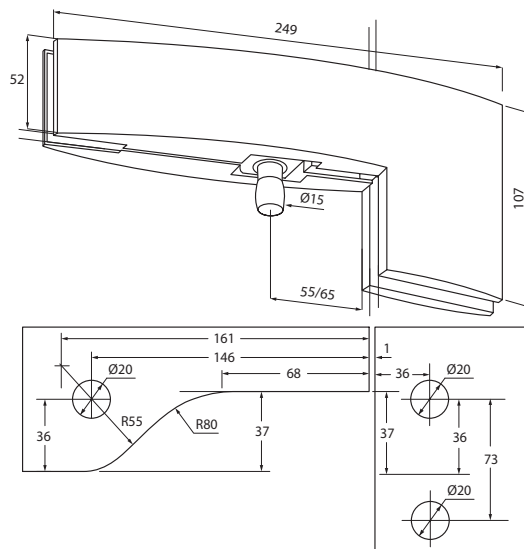
Aluminium body & SS-304 cover

Size: 52 x 249 x 45 mm x 107 X 52 mm
(H/L/W/H/L)

Glass thickness: 10-12 mm glass

Finish:

Brushed # 17.87.327



WALL MOUNTING FITTING "LEX"

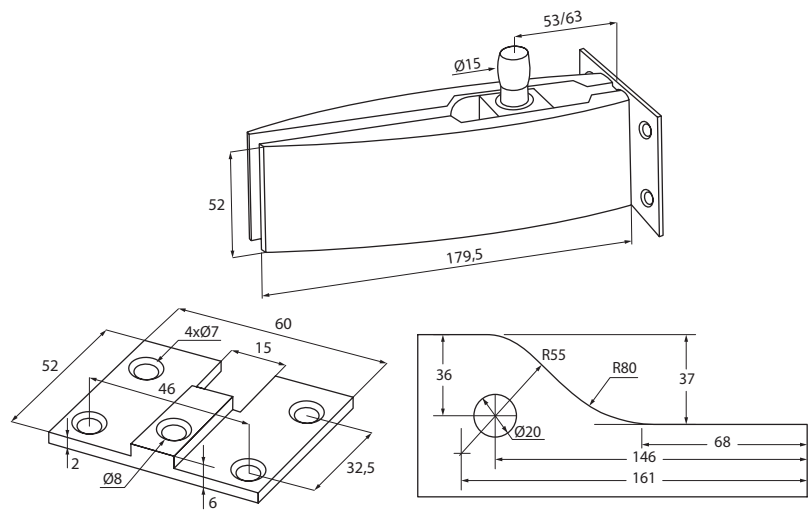
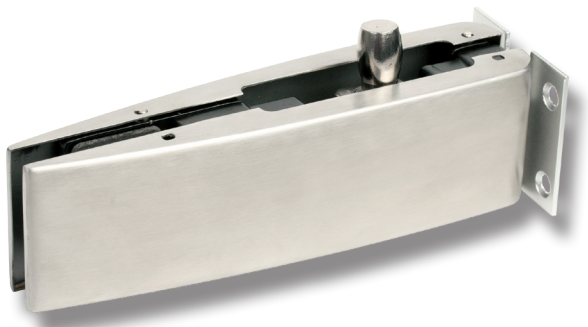
Features:
 W/8 mm horizontal adjustment
 Cutting & drilling required

Material:
 Aluminium body & SS-304 cover

Size: 52 x 179,5 x 45 mm (H/L/W)

Glass thickness: 10 - 12 mm glass

Finish:
 Brushed # 17.87.338



CORNER CONNECTOR "LEX"

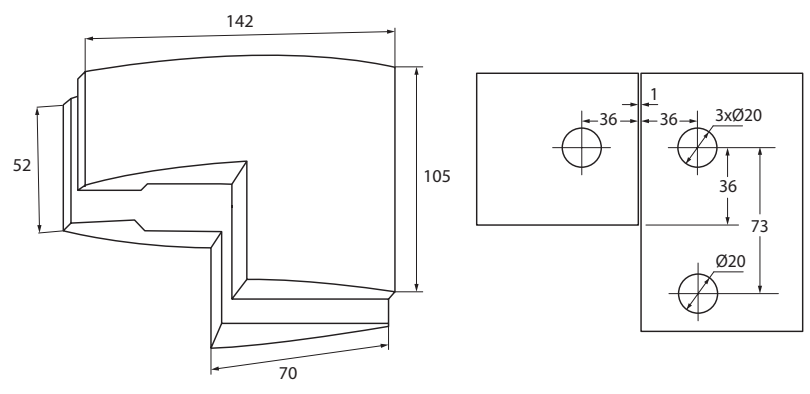
Features:
 Cutting & drilling required

Material:
 Aluminium body & SS-304 cover

Size: 52 x 142 x 35 mm x 105 x 70 mm
 (H/L/W/H/L)

Glass thickness: 10 - 12 mm glass

Finish:
 Brushed # 17.87.344



BOTTOM LOCK "LEX-B"

- high quality furniture fittings



Features:

Cutting & drilling required

Material:

Aluminium body & SS-304 cover

Size: 52 x 179,5 x 45 mm(H/L/W)

Glass thickness: 10 - 12 mm glass

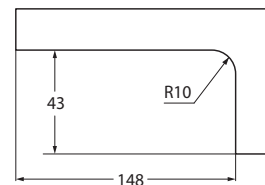
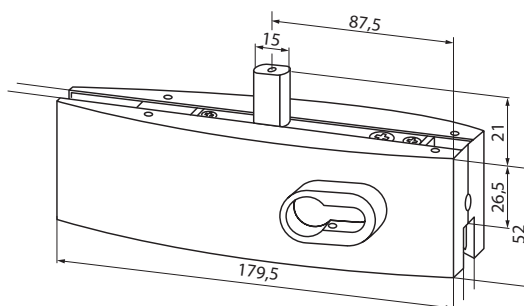
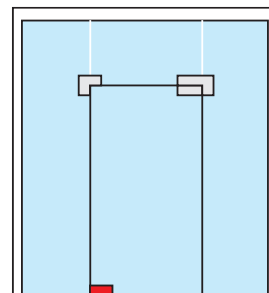
Finish:

Brushed # 17.88.302

Additional:

Brass Profile Cylinder
62 mm (26+10+26) – Yale key way

SS-lock # 14.60.037



CENTRE LOCK "LEX-C"

Features:

Cutting & drilling required

Material:

Aluminium body & SS-304 cover

Size: 52 x 179,5 x 45 mm (H/L/W)

Glass thickness: 10 - 12 mm glass

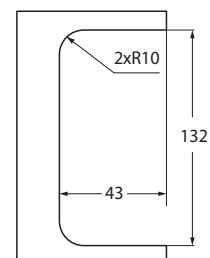
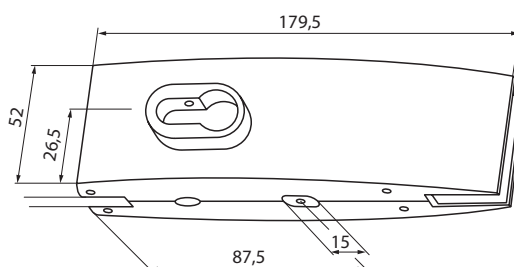
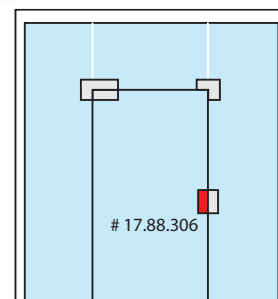
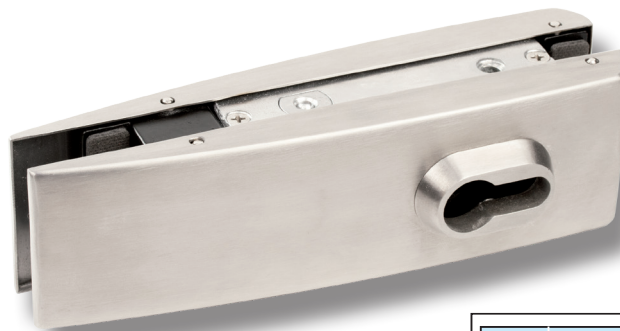
Finish:

Brushed # 17.88.306

Additional:

Brass Profile Cylinder
62 mm (26+10+26) – Yale key way

SS-lock # 14.60.037



PATCH LOCK STRIKER FOR LOCK "LEX"

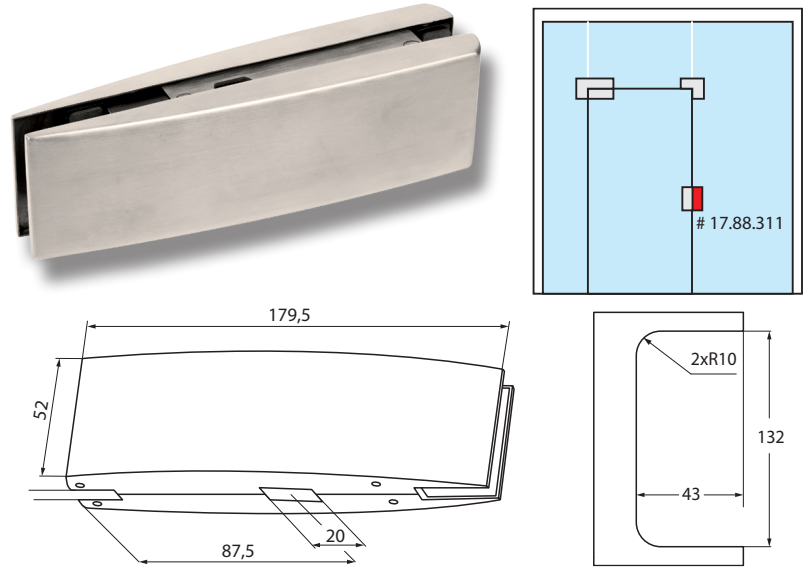
Features:
Cutting & drilling required

Material:
Aluminium body & SS-304 cover

Size: 52 x 179,5 x 45 mm (H/L/W)

Glass thickness: 10 - 12 mm glass

Finish:
Brushed # 17.88.311

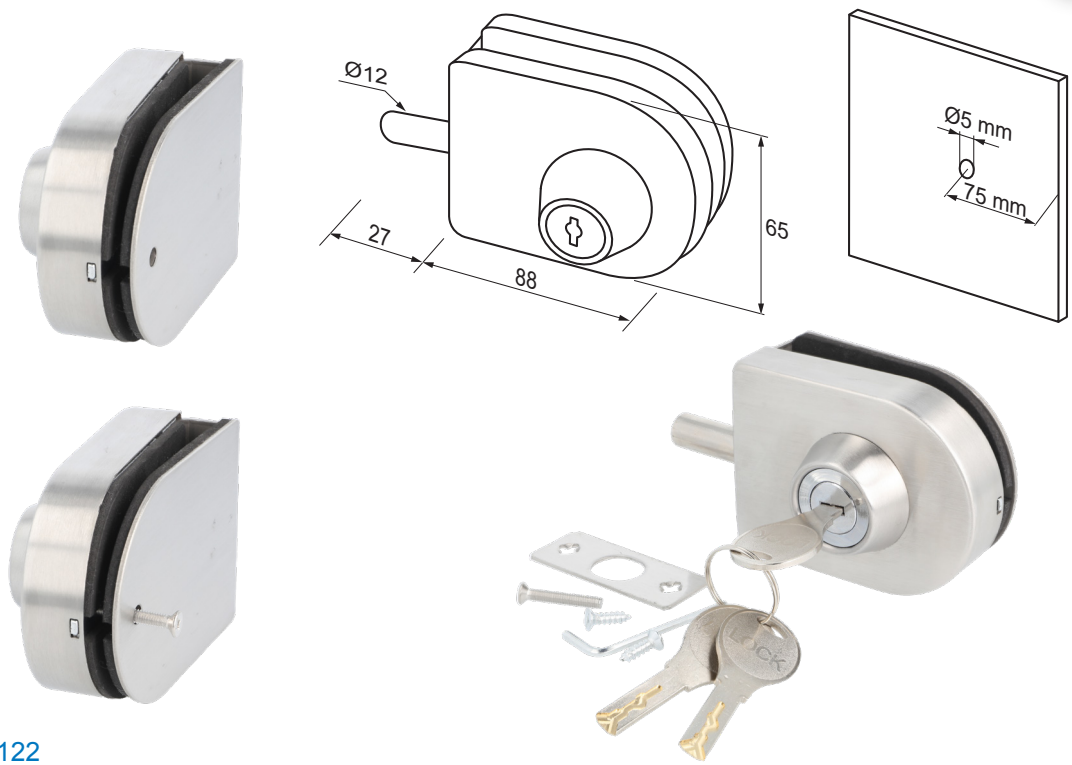


GLASS DOOR LOCK "FRIGG" - NO DRILLING/CUTTING

Description:
Glass door lock for 10 - 12 mm glass.
No cutting or drilling needed, zamak lock body, with striker, cylinder & 3 nickel plated brass keys.

Finish:
Stainless steel 201 - brushed

Item No:
Brushed # 14.09.804-0
Black matt # 14.09.804-4



GLASS DOOR LOCK "BRUCE"

- high quality furniture fittings



Description:

Glass door lock for 8 - 12 mm glass, zamak body, without handle, cylinder & striker

Material:

Zamak body & SS-304 and aluminium cover plates

Item No.:

Body only # 14.60.695-0

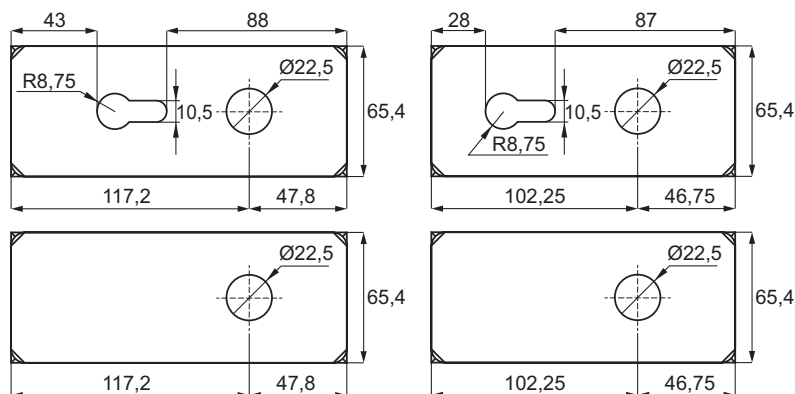
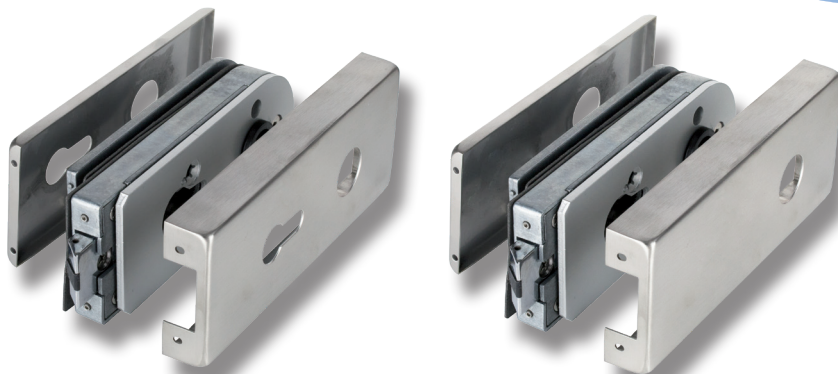
Cover Plates w/handle & cylinder hole:

SS-304 - brushed # 14.60.686-0
 Alu-look - anodized # 14.60.688-0
 Black matt # 14.60.688-4

Cover Plates w/handle hole only:

SS-304 - brushed # 14.60.687-0
 Alu-look - anodized # 14.60.689-0
 Black matt # 14.60.689-4

Handles & cylinders to be bought separately



STRIKER F/GLASS DOOR LOCK "BRUCE"

Description:

Striker, zamak, for double doors, 8 - 12 mm glass

Material:

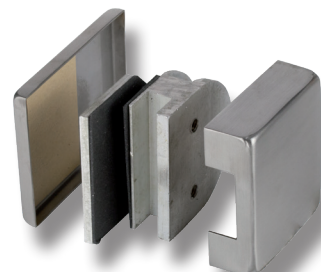
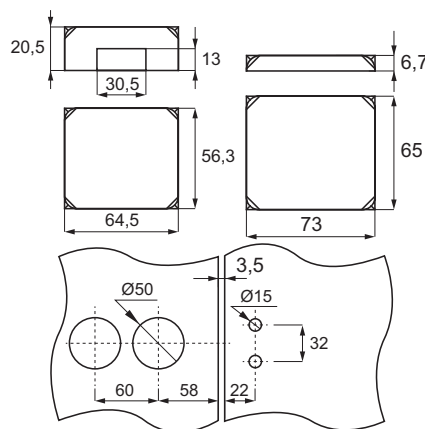
Zamak body & SS-304 and aluminium cover plates

Item No.:

Body only # 14.60.696-5

Cover Plates:

SS-304 - brushed # 14.60.690
 Alu. - anodized # 14.60.691



FLAT STRIKER "LARGE" F/GLASS DOOR LOCK "BRUCE"

Description:

Striker for double doors 8 – 12 mm glass

Material:

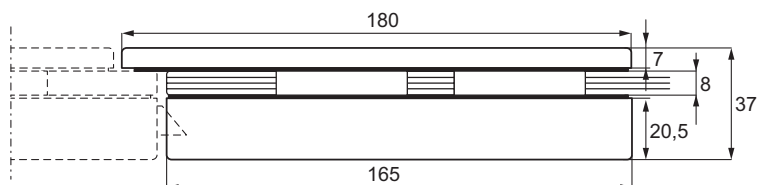
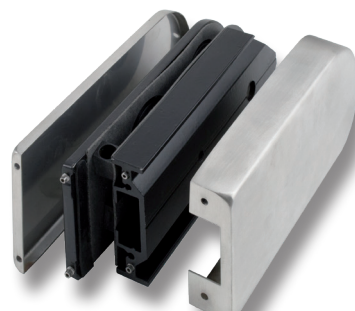
Zamak body & SS-304 and aluminium cover caps

Item No.:

Body only # 14.60.697-9

Cover Plates:

SS-304 – brushed # 14.60.698-0
 Black matt # 14.60.698-4
 Alu – anodized # 14.60.699-0



GLASS DOOR LOCK "CLARK"

Description:
Glass door lock for 8 - 12 mm glass, zamak body, without handle, cylinder & striker

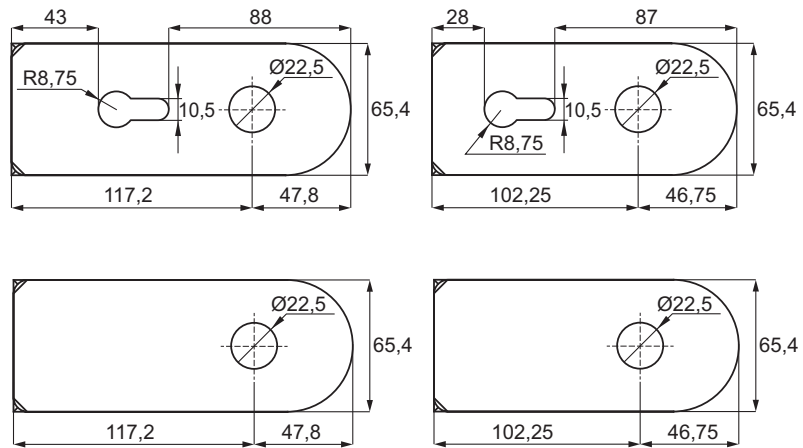
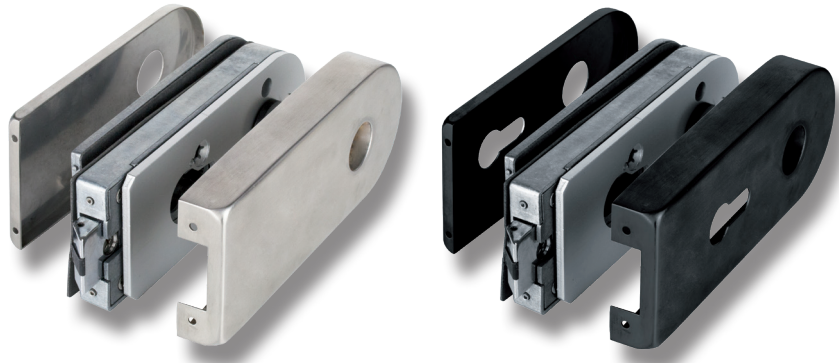
Material:
Zamak body & SS-304 and aluminium cover plates

Item No.:
Body only # 14.60.695-0

Cover Plates w/handle & Cylinder holes:
SS-304 - brushed # 14.60.680-0
Alu. - anodized # 14.60.682-0
Black matt # 14.60.682-4

Cover Plates w/handle hole:
SS-304 - brushed # 14.60.681-0
Alu. - anodized # 14.60.683-0
Black matt # 14.60.681-4

Handles & cylinders to be bought separately



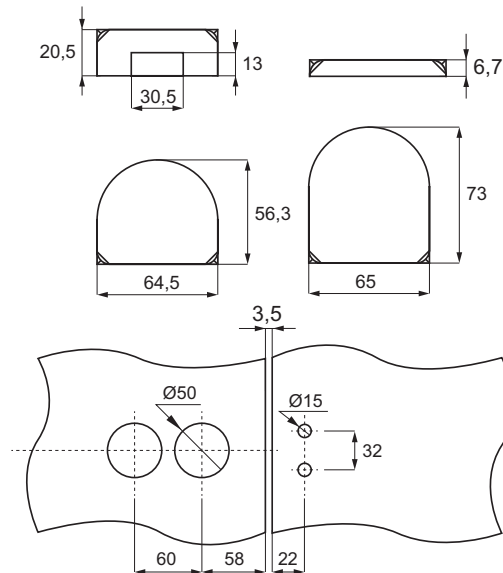
STRIKER F/GLASS DOOR LOCK "CLARK"

Description:
Striker, zamak, for double doors, 8 – 12 mm glass

Material:
Zamak body & SS-304 and aluminium cover plates

Item No.:
Body only # 14.60.696-5

Cover Plates:
SS-304 - brushed # 14.60.684-0
Alu. - anodized # 14.60.685-0
Black matt # 14.60.685-4



STRIKER "LARGE" F/GLASS DOOR LOCK "CLARK"

- high quality furniture fittings

Description:

Striker for double doors
8 - 12 mm glass

Material:

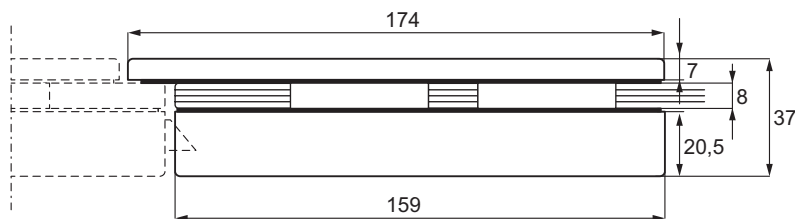
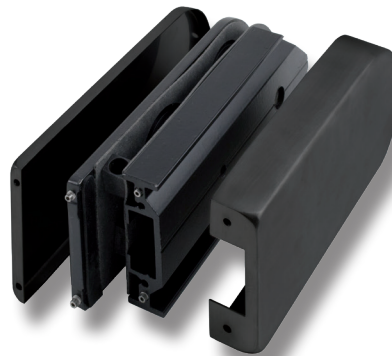
Zamak body & SS-304
and aluminium cover plates

Item No.:

Body only # 14.60.697-5

Cover Plates:

SS-304 - brushed # 14.60.693-9
Alu. - anodized # 14.60.694-0
Black matt # 14.60.693-4



DOOR FRAME STRIKER F/"BRUCE" & "CLARK"

Description:

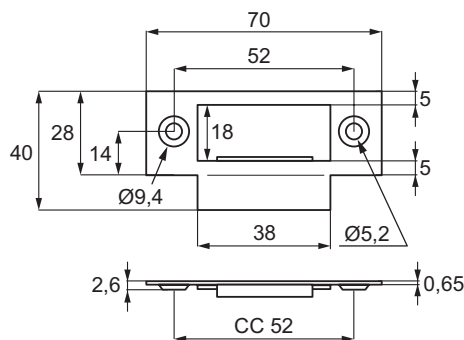
Striker for door frames
With overlay

Material:

SS-201 - brushed

Item No.:

14.60.669



TOILET GLASS DOOR LOCK "CLARK"

Description:

Lock for toilet cubicles
8 - 12 mm glass
Universal for left & right hand doors
Slam function

Material:

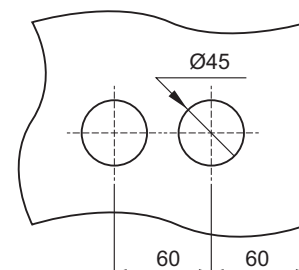
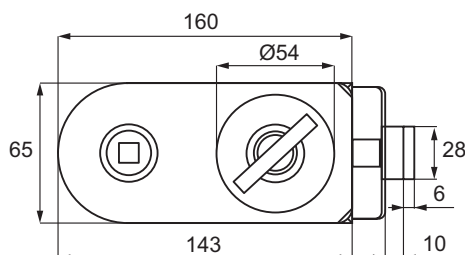
Zamak body & SS-304
and aluminium cover plates

Size: 65 x 160 mm

Item No.:

SS-304 - brushed # 14.60.655-0
Black matt # 14.60.655-4
Alu. - anodized # 14.60.656-0

Handles to be bought separately



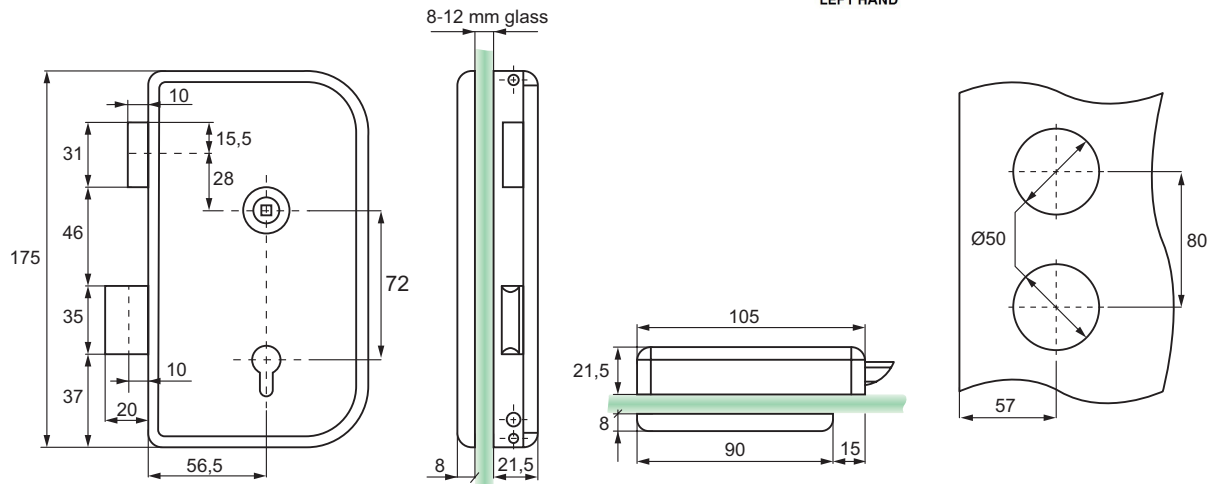
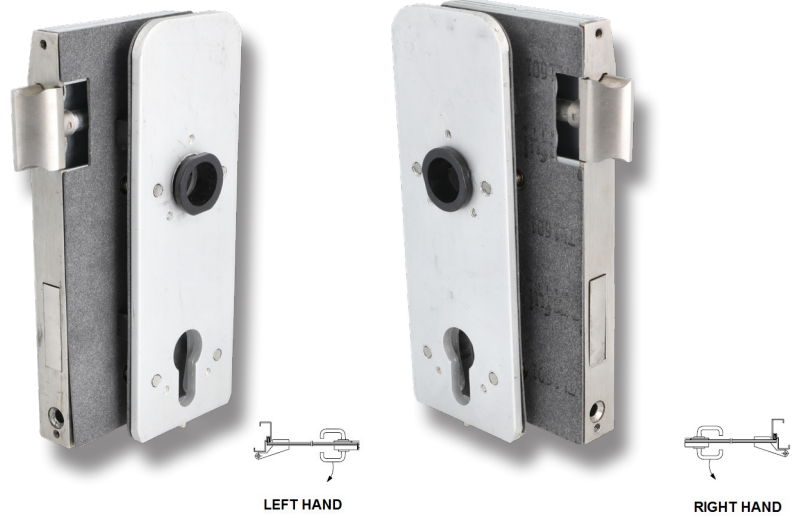
GLASS DOOR LOCK "ROBIN"

Material:
 Zamak body & SS-304
 Cover plates in aluminum

Glass thickness: 8 – 12 mm

Item No.:
 Body only – right hand # 14.60.651
 Body only – left hand # 14.60.652

Handle & cylinder to be bought separately



Cover plates w/handle & cylinder hole:

Right hand – Alu-look # 14.60.657-0
 Right hand – SS-look # 14.60.658-0
 Right hand – Black matt # 14.60.658-6

Left hand – Alu-look # 14.60.657-5
 Left hand – SS-look # 14.60.658-5
 Left hand – Black matt # 14.60.658-7



Cover plates w/handle hole only:

Right hand – Alu-look # 14.60.659-9
 Right hand – SS-look # 14.60.659-0
 Right hand – Black matt # 14.60.658-8

Left hand – Alu-look # 14.60.659-8
 Left hand – SS-look # 14.60.659-5
 Left hand – Black matt # 14.60.658-9



HANDLES F/LOCK "BRUCE", "CLARK" & "ROBIN"

- high quality furniture fittings

SISO
DENMARK

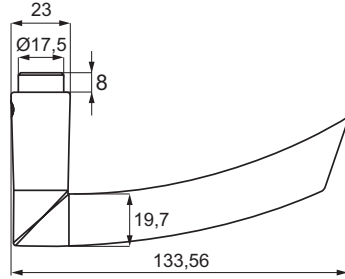
MODEL "LUTHOR"

Description:

Handle, aluminium
For lock "Bruce", "Clark" & "Robin"
W/8x8x85 mm spindle

Item No.:

SS-lock # 27.20.201
Alu-lock # 27.20.202



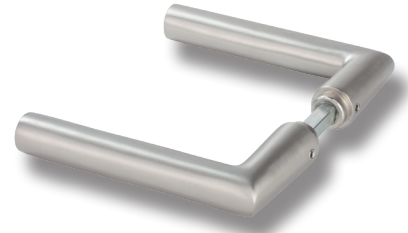
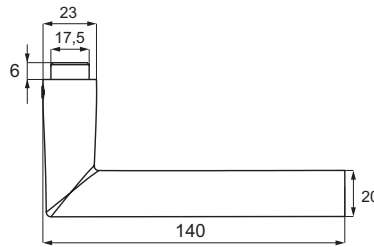
MODEL "WAYNE"

Description:

Handle, aluminium
For lock "Bruce", "Clark" & "Robin"
W/8x8x100 mm spindle

Item No.:

Alu-lock # 27.20.204-5
SS-lock # 27.20.203-5
Black matt # 27.20.203-4



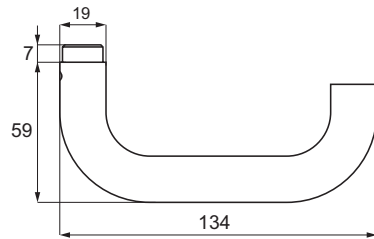
MODEL "KEN"

Description:

Handle, stainless steel 304
For lock "Bruce", "Clark" & "Robin"
W/8x8x110 mm spindle

Item No.:

Brushed # 27.20.205



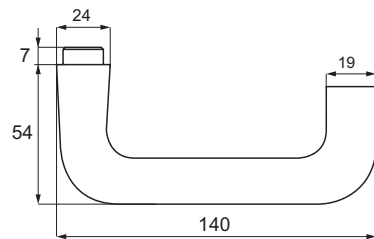
MODEL "WES"

Description:

Handle, aluminium
For lock "Bruce", "Clark" & "Robin"
W/8x8x100 mm spindle

Item No.:

Alu-lock # 27.20.206-5
Black matt # 27.20.206-4



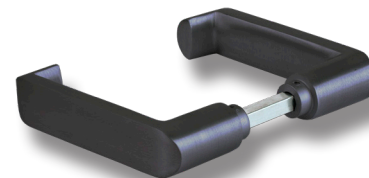
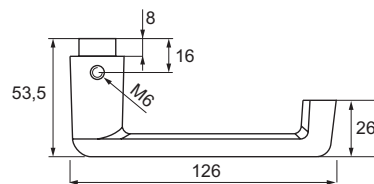
MODEL "FRANK"

Description:

Handle, aluminium
For lock "Bruce", "Clark" & "Robin"
W/8x8x100 mm spindle

Item No.:

Alu-lock # 27.20.208-0
Black matt # 27.20.208-4



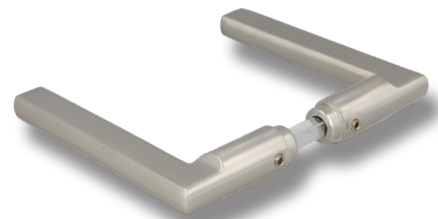
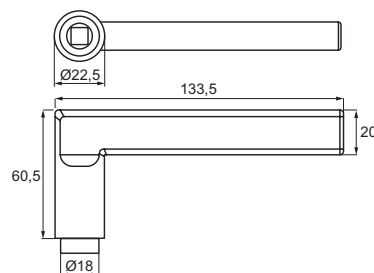
MODEL "LUKE"

Description:

Handle, aluminium
For lock "Bruce", "Clark" & "Robin"
W/8x8x100 mm spindle

Item No.:

Alu-lock # 27.20.210
Black matt # 27.20.211
SS-lock # 27.20.212



PROFILE CYLINDER F/LOCK "BRUCE", "CLARK" & "ROBIN"

Description:

Brass cylinder, Yale key way.
For lock "Bruce", "Clark" & "Robin".
Incl. 3 brass keys with SISO logo.

Item No.:

SS-lock # 14.60.037

With Master key system:

Item No.:

SS-lock - System #M1 # 14.60.039

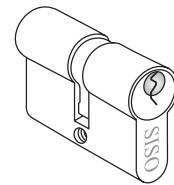
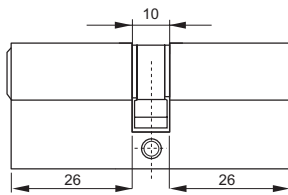
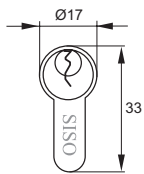
SS-lock - System #M2 # 14.60.040

Master keys:

Item No.:

System #M1 # 14.60.041-0

System #M2 # 14.60.042-0



Cylinder w/Knob #2 - Yale key way

With Master Key system #M3
Incl. 3 brass keys with SISO logo

Item No.:

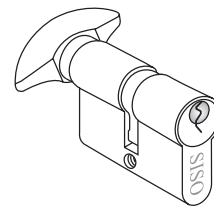
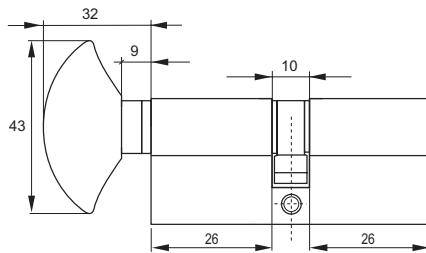
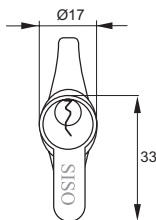
SS-lock - System #M3 # 14.60.032

Alu-lock - System #M3 # 14.60.045

Master key:

Item No.:

System #M3 # 14.60.041-5



Cylinder w/Knob #3 - Yale key way

With Master Key system #M3
Incl. 3 brass keys with SISO logo

Item No.:

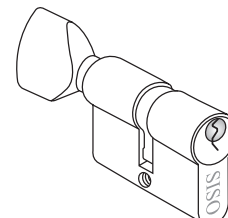
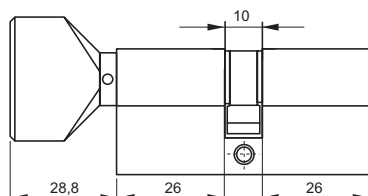
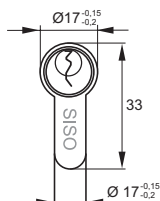
SS-lock - System #M3 # 14.60.033

Alu-lock - System #M3 # 14.60.047

Master key:

Item No.:

System #M3 # 14.60.041-5



GLASS DOOR LOCK "FREJA"

- high quality furniture fittings

Description:

Glass door lock for 10-18 mm glass, zamak lock body, with small striker, without cylinder & keys.

Finish:

SS-304 - brushed

Item No.:

Glass Door Lock "FREJA" Left # 14.60.627

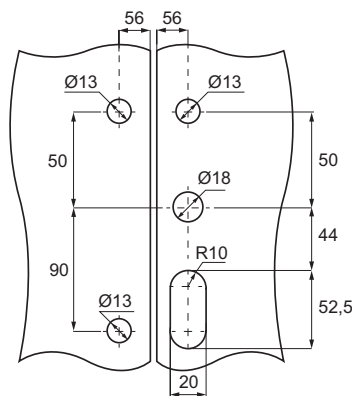
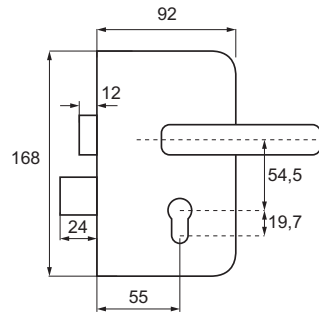
Glass Door Lock "FREJA" Right # 14.60.628

Additional:

Brass Profile Cylinder 62mm (26+10+26) - Yale key way

SS-look

14.60.037



STRIKER FOR "FREJA" GLASS DOOR LOCK

Description:

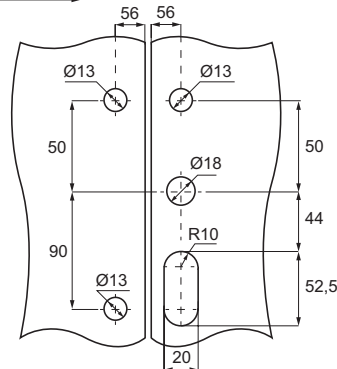
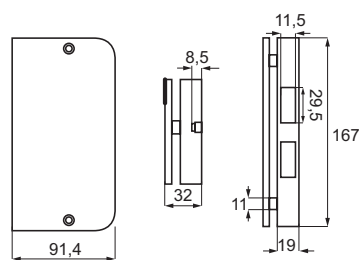
Striker, zamak, for double glass doors, 10-18 mm glass.

Finish:

SS-304 - brushed

Item No.:

14.60.662



GLASS DOOR LOCK "THOR"

Description:

Glass door lock for 8 mm glass
 No cutting or drilling required
 Incl. striker bushing
 Sliding bolt locking

Material:

Aluminum & stainless steel

Size:

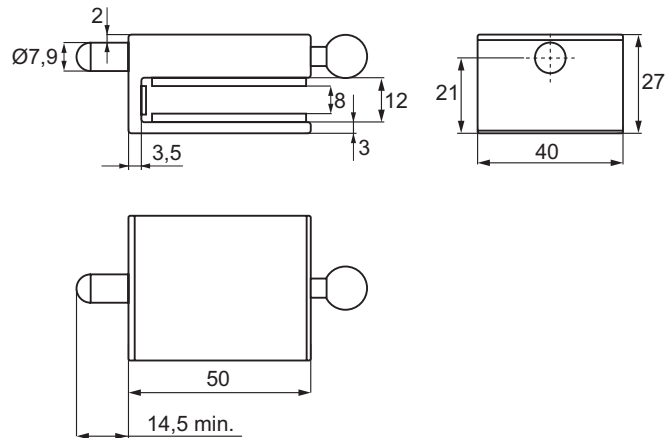
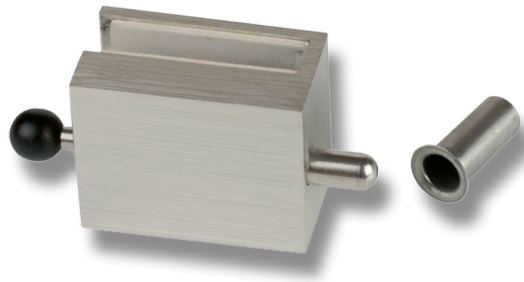
(W/H/D) 40 x 50 x 27 mm

Finish:

SS-lock

Item No.:

17.87.760



STRIKER F/DOOR LOCK "THOR" GLASS/GLASS

Description:

Ideal for double doors or glass walls
 Glass door striker for 8 mm glass
 No cutting or drilling required

Material:

Aluminum

Size:

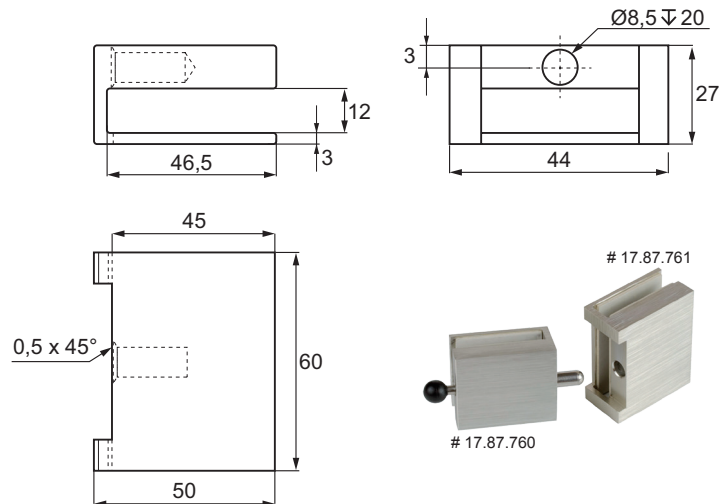
(W/H/D) 50 x 60 x 27 mm

Finish:

SS-lock

Item No.:

17.87.761



STAINLESS STEEL DOOR STOPPERS

- high quality furniture fittings



DOOR STOPPER "STICK"

With black rubber head.

Material:

Hollow SS 201 tube

Finish:

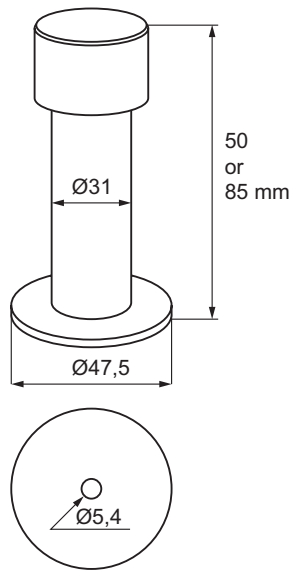
Brushed

Item No.:

Size: Ø 22 x 50 mm # 22.04.080

Size: Ø 22 x 85 mm # 22.04.085

Incl.: screw & plug



DOOR STOPPER "MUSHROOM"

With black rubber ring.

Material:

SS 201

Finish:

Brushed

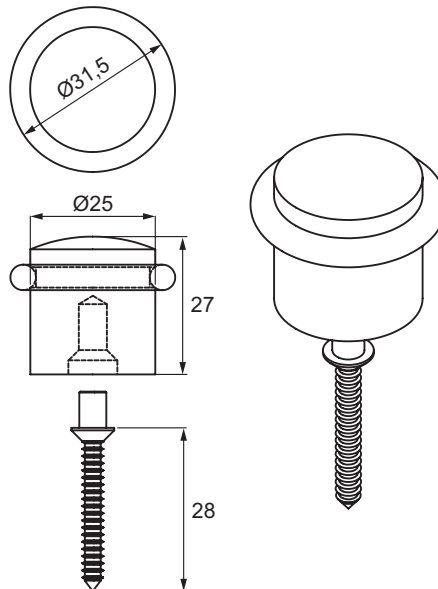
Size:

Ø 24,5 x 27 mm

Item No.:

22.04.105

Incl.: screw & plug



DOOR STOPPER "PIE"

W/black rubber rings & bottom pad.

Material:

SS 430

Finish:

Brushed

Size:

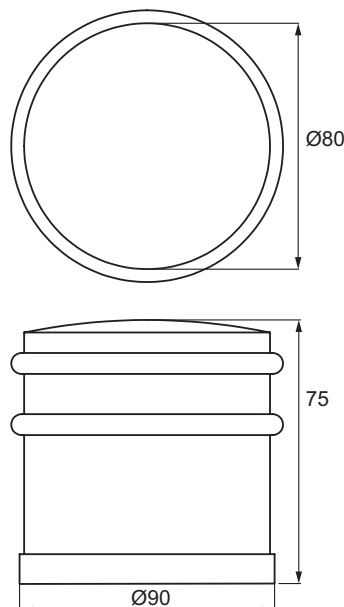
Ø 90 x 75 mm

Weight:

1000 grams

Item No.:

22.04.094



STAINLESS STEEL DOOR STOPPERS

DOOR STOPPER "HALF-MOON"
 W/black rubber pad.

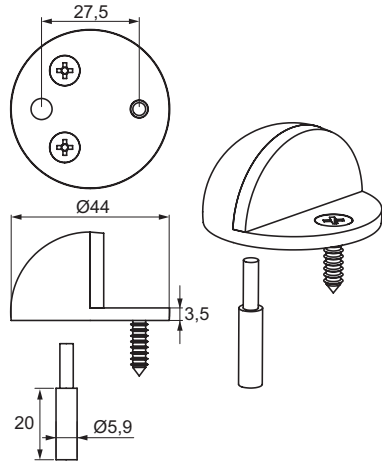
Material:
 SS 304

Finish:
 Brushed

Size:
 Ø 44 x 24 mm

Item No.: # 22.04.100

Incl.: Guide pin, screw & plug



DOOR STOPPER "JING"
 W/black rubber bumper.

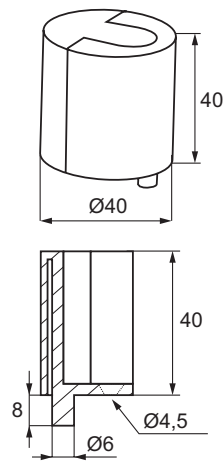
Material:
 SS 304

Finish:
 Brushed

Size:
 Ø 40 x 40 mm

Item No.: # 22.04.097

Incl.: screw & plug



DOOR STOPPER "JANG"
 W/black rubber bumper.

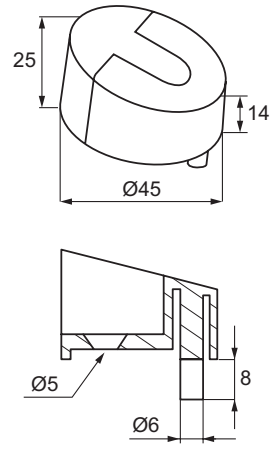
Material:
 SS 304

Finish:
 Brushed

Size:
 Ø 45 x 25 mm

Item No.: # 22.04.098

Incl.: screw & plug



DOOR STOPPER "CYLINDER"
 W/black rubber ring.

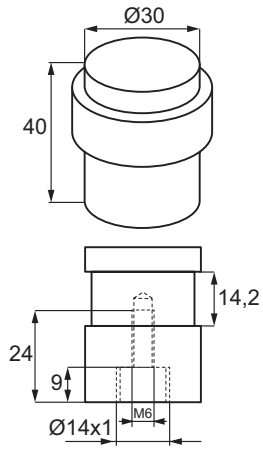
Material:
 SS 304

Finish:
 Brushed

Size:
 Ø 30 x 40 mm

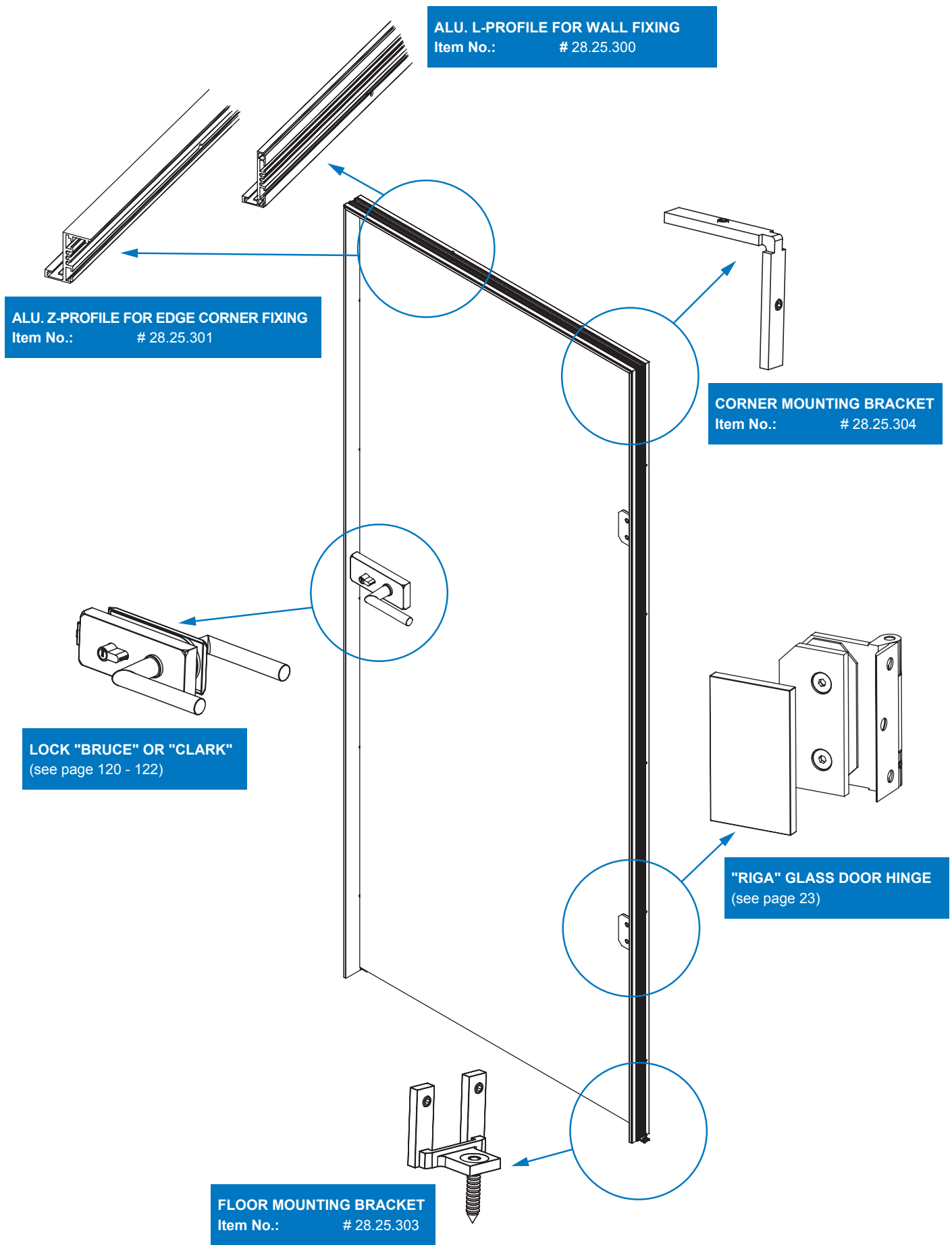
Item No.: # 22.04.096

Incl.: 1 Brass Bushing, 1 Explosion Screw Ø 6 mm, 1 Wood Screw Ø 5 x 45 mm & Nylon Plug



"ZAPP" ALU PROFILE DOOR SYSTEM

- high quality furniture fittings

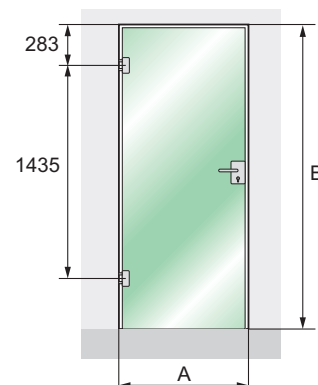
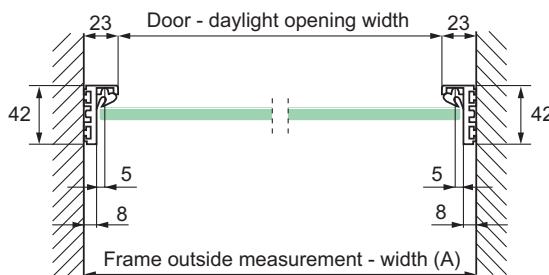
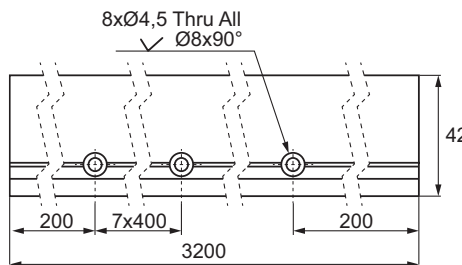
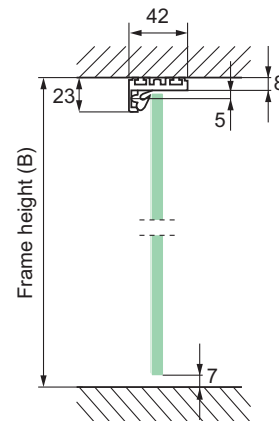
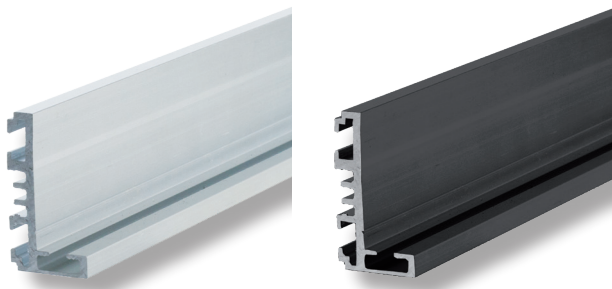


L-PROFILE FOR WALL FIXING

Glass thickness: 8 - 10 mm
Length: 2500 or 3200 mm
Finish: Alu or Black anodized

Item No.:

- 2500 mm Alu # 28.25.300-9
- 2500 mm Black # 28.25.300-7
- 3200 mm Alu # 28.25.300-5
- 3200 mm Black # 28.25.300-3

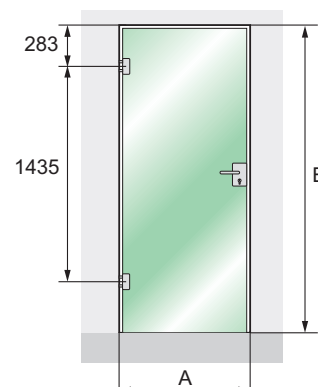
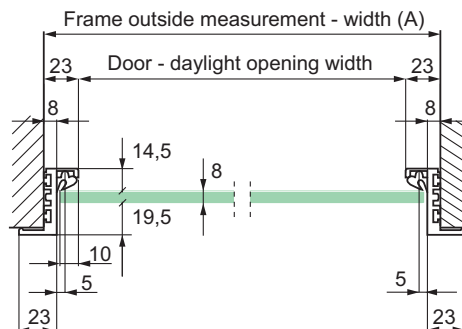
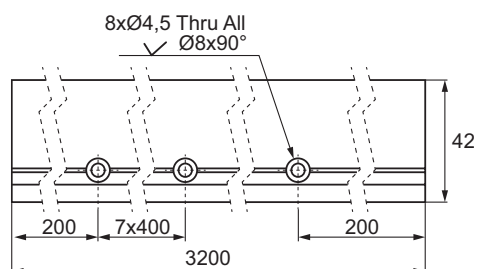
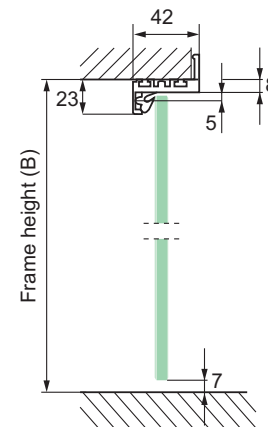


Z-PROFILE FOR EDGE WALL FIXING

Glass thickness: 8 - 10 mm
Length: 3200 mm
Finish: Alu or Black anodized

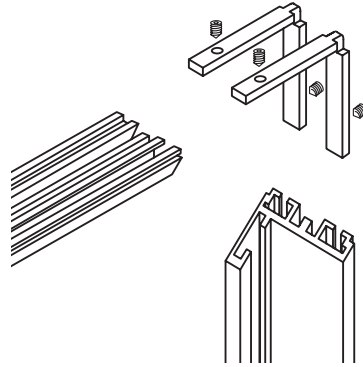
Item No.:

- 3200 mm Alu # 28.25.301-6
- 3200 mm Black # 28.25.301-3



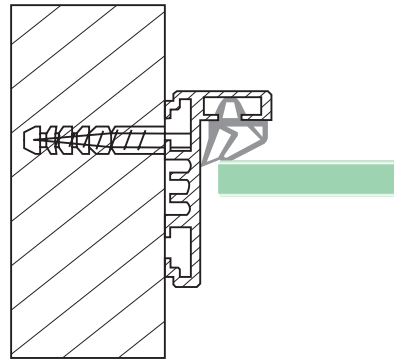
CORNER MOUNTING BRACKET

Material: Aluminium - raw
Size: 50 x 50 mm
Tightening screws: M4 x 6 mm, 2 mm Hex
Item No.: # 28.25.304



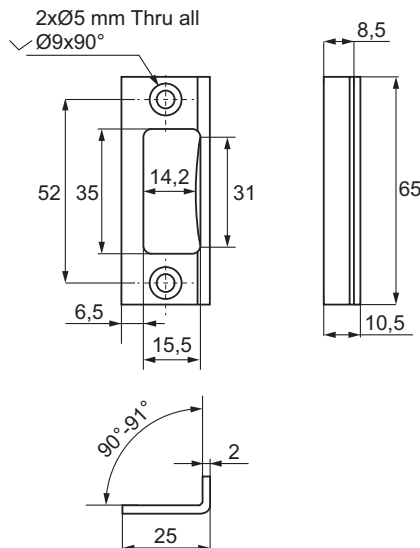
PVC SEALING FOR Z & L PROFILE

Material: soft PVC - grey or black
 Rolls of 60 meters
Item No.:
 Grey # 15.22.410-1
 Black # 15.22.410-4



LOCK STRIKER F/LOCK "BRUCE" & "CLARK"

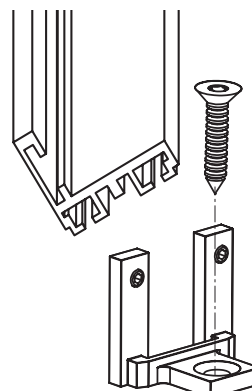
Material: Aluminium anodized
Size: 25 x 65 mm
Screw holes: ø5 mm
Item No.:
 Alu # 28.25.305-1
 Black # 28.25.305-4



FLOOR MOUNTING BRACKET F/GLASS SIDE WALLS

Description:
 To be used if sidewalls are made of glass.

Material: Zamak - raw
Size: 30 x 24 mm
Tightening screws: M4 x 6 mm, 2 mm Hex
Screw hole: ø6,5 mm
Item No.: # 28.25.303

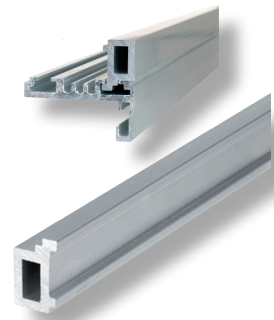
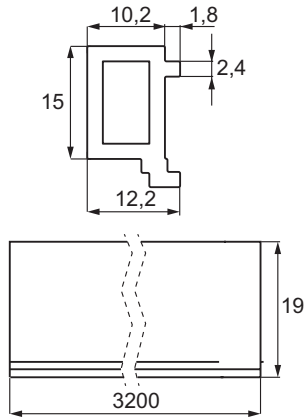


ALUMINIUM CLIP PROFILE F/GLASS SIDE WALLS

Description:

To be used if side walls are made of glass.
Clip profile is clicked into the L or Z-profile.
Glass is fixed by use of seal 15.22.408
on one side & seal 15.22.409 on other side.

Glass thickness:	10 mm
Length:	3200 mm
Finish:	Alu or Black anodized
Item No.:	
Alu	# 28.25.302-5
Black	# 28.25.302-4

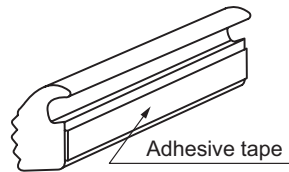


PVC SEALING FOR CLIP PROFILE, W/ADHESIVE TAPE

Description:

Fixed/glued on clip profile by use
of adhesive tape.
F/8 mm glass ONLY.

Material:	soft PVC - transparent
Item No.:	# 15.22.408
Sold in rolls of 52 meters	

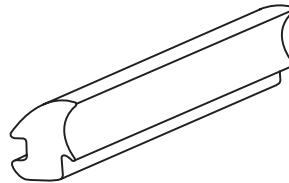


PVC SEALING FOR CLIP PROFILE

Description:

Pressed in between the clip profile and glass.
F/8 mm glass ONLY.

Material:	soft PVC - transparent
Item No.:	# 15.22.409
Sold in rolls of 52 meters	

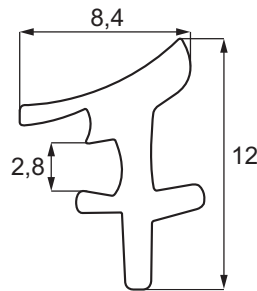


PVC SEALING FOR WALL PROFILE

Description:

Pressed in between the alu profile and glass.
F/10mm glass ONLY.

Material:	soft PVC - transparent
Item No.:	# 15.22.407
Sold in rolls of 50 meters	

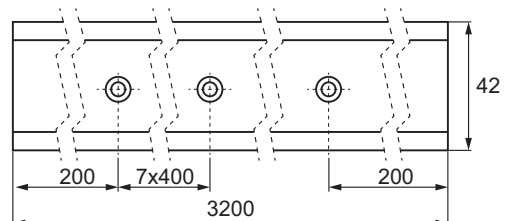
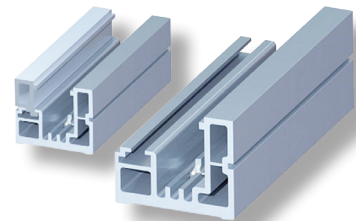
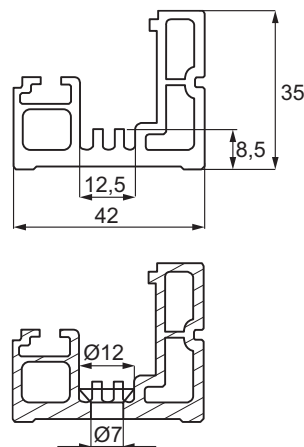


ALUMINIUM GLASS WALL PROFILE

Description:

To be used for glass walls.
May be fixed to the floor, sealing or wall.
Glass is fixed by use of clip profile # 28.25.302
together with a seal.
For 8 mm glass use seal 15.22.408 on one
side and 15.22.409 on the other side.
For 10 mm glass use seal 15.22.407 on both sides.

Glass thickness:	8-10 mm
Length:	3200 mm
Finish:	Alu or Black anodized
Item No.:	
Alu	# 28.25.306-0
Black	# 28.25.306-4



PROFILE SYSTEM "WAX" F/GLASS WALLS

- high quality furniture fittings

Application:

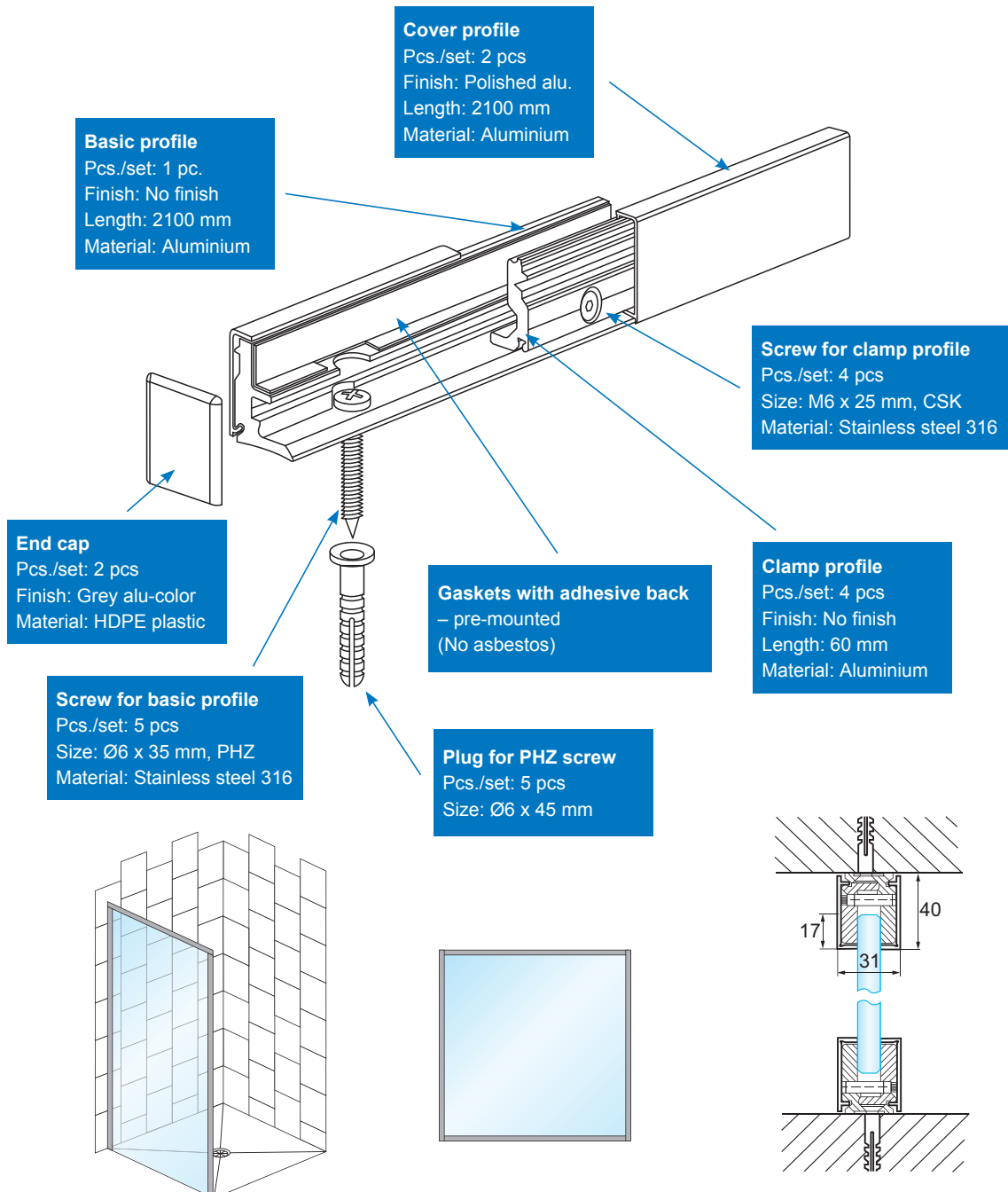
For partition glass walls in showers, offices, shops or domestic housings. No drilling in glass required or messy sealant.

Specifications:

Material: Aluminium profile & zamak clamps
Finish: Polished aluminium
Size: 40 x 31 x 2100mm (H/W/L)
Glass thickness: 10 mm
Load capacity: Max 15 kg pr. clamp

One set consists of
 (see below drawing)

Item No.: # 28.25.310



SOFT CLOSE GLASS DOOR HINGE "KLAP II"

8 - 14 MM - W/CENTRE BACK PLATE

SISO

DENMARK - high quality furniture fittings

Application:

Suitable for glass/shower doors
 Drilling/cutting required
 W/Damping function w/speed adjustment
 Self-centering
 Self closing at 85°
 Hold open at 90°

Max opening: 95°

Max glass width: 1000 mm

Max glass height: 2400 mm

Load capacity: 60 kg

Glass thickness: 8 - 14 mm

Tested according to EN1154

Material:

SS-304 Brushed or polished

1 pair consists of:

1 x damping hinge 110 x 82 mm (bottom hinge)
 1 x mounting plate 110 x 55 mm
 1 x closing hinge 110 x 82 mm (top hinge)
 1 x mounting plate 110 x 55 mm
 4 x black rubber cushions 1 mm thickness

Finish:

Brushed # 15.24.280-0

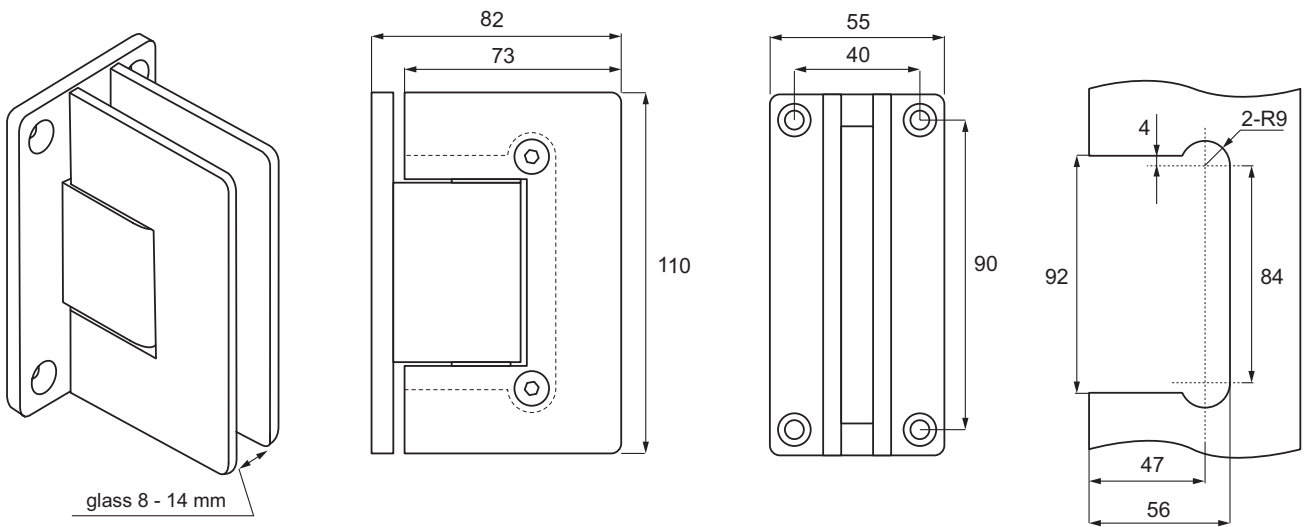
Polished # 15.24.280-9



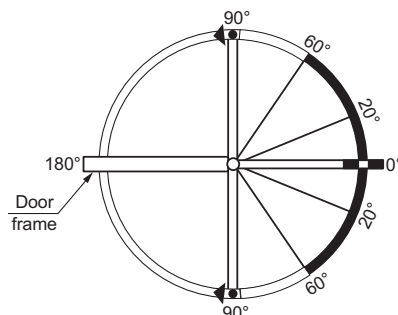
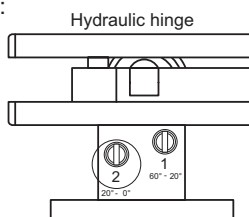
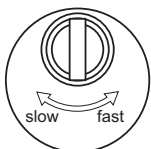
Closing hinge
(Top hinge)



Damping hinge
(Bottom hinge)



Speed adjustment:



Features:

1. Soft closing: 20° - 0° (adjust by valve 2)
2. Soft closing: 60° - 20° (adjust by valve 1)
3. Fast closing: 90° - 60°
4. HO (Hold-open: 95° - 90°)
NH (No hold open)

- Soft closing section
- Fast closing section
- Hold-open section

SOFT CLOSE GLASS DOOR HINGE "KLAP II" 8-14 MM - GLASS TO GLASS - 180°

- high quality furniture fittings



Application:

Suitable for glass/shower doors
Drilling/cutting required
W/Damping function w/speed adjustment
Self-centering
Self closing at 85°
Hold open at 90°

Max opening: 95°

Max glass width: 1000 mm

Max glass height: 2400 mm

Load capacity: 60 kg

Glass thickness: 8 - 14 mm

Tested according to EN1154

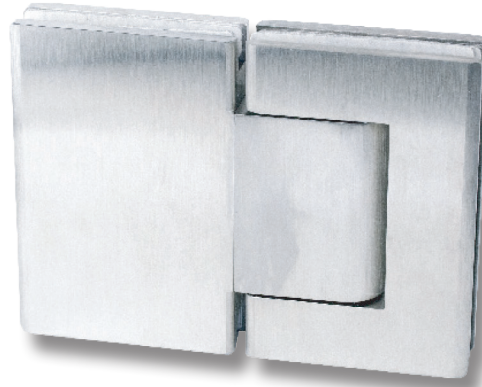
Material: SS-304 Brushed or polished

1 pair consists of:

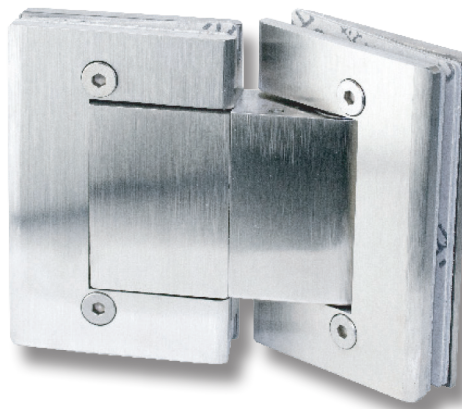
1 x damping hinge 110 x 73 mm (bottom hinge)
1 x glass wall fixing plate 110 x 73 mm
1 x closing hinge 110 x 73 mm (top hinge)
1 x glass wall fixing plate 110 x 73 mm
8 x black rubber cushions 1 mm thickness

Finish:

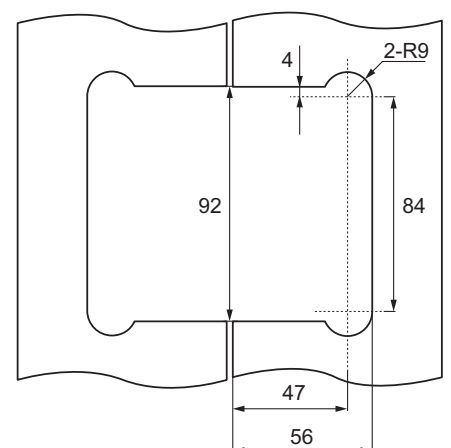
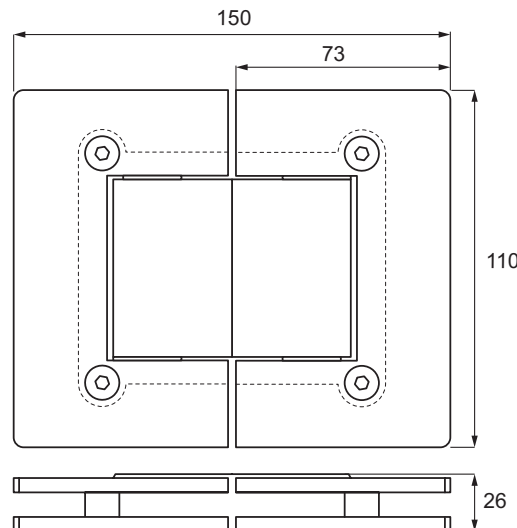
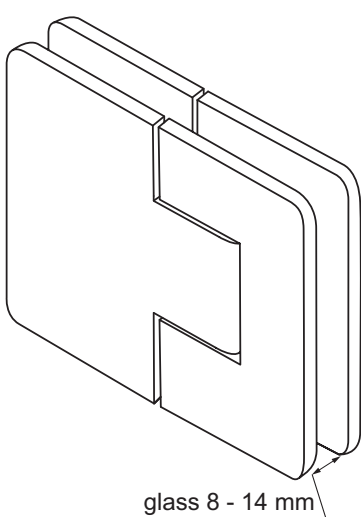
Brushed # 15.24.283-0
Polished # 15.24.283-9



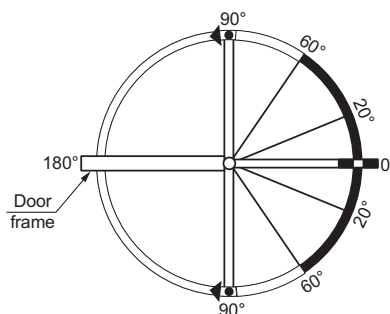
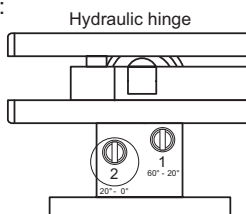
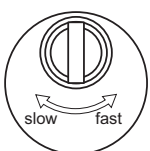
Closing hinge
(Top hinge)



Damping hinge
(Bottom hinge)



Speed adjustment:



Features:

1. Soft closing: 20° - 0° (adjust by valve 2)
2. Soft closing: 60° - 20° (adjust by valve 1)
3. Fast closing: 90° - 60°
4. HO (Hold-open: 95° - 90°)
NH (No hold open)

- Soft closing section
- Fast closing section
- Hold-open section

FLOOR HINGE "JUMP III" – W/SOFT CLOSE & HOLD OPEN FUNCTION

Application:

Suitable for glass doors
 Drilling/cutting required
 W/Damping function w/speed adjustment
 Self-centering
 Soft closing from 30 - 0°
 Fast closing from 90 -30°
 Hold open at 90° & from 121° to 140°

Max opening: 140°

Max glass width: 1000 or 1100 mm

Max glass height: 2200 mm

Load capacity: 100 or 150 kg

Glass thickness: 10 -15 mm

Tested according to EN1154

Material:

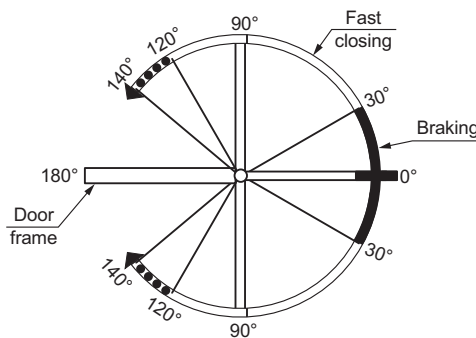
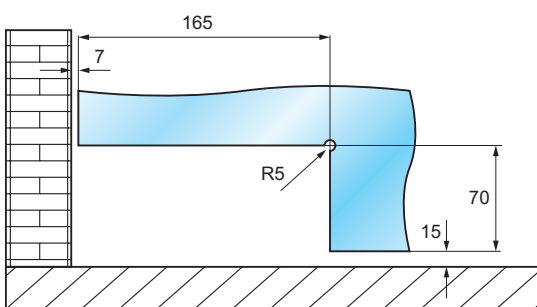
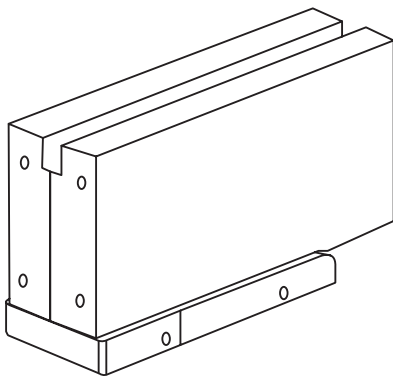
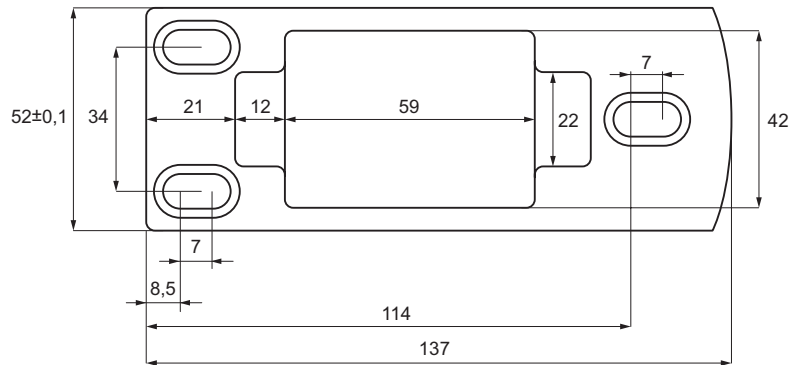
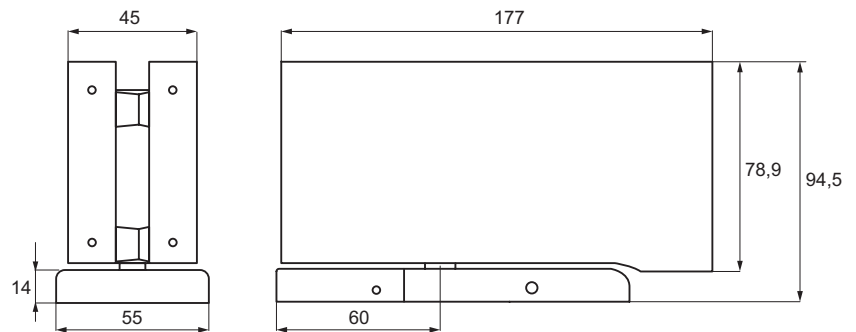
SS-304

1 hinge consists of:

- 1 x damping hinge 177 x 79 mm
- 1 x mounting plate 137 x 55 mm
- 4 x black rubber cushions 1,5 mm
- 3 x wall plugs $\varnothing 10 \times 67$ mm
- 3 x mounting screws M8 x 38 mm
- 1 x L-shaped 6 mm hex key
- 1 x L-shaped 4 mm hex key
- 1 x L-shaped 3 mm hex key
- 1 x L-shaped 2 mm hex key

Finish:

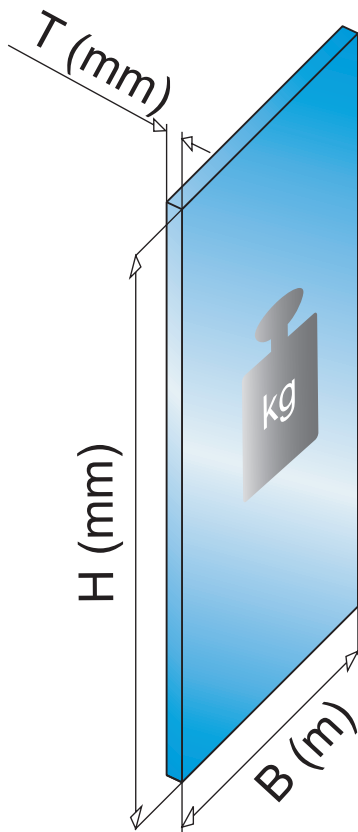
- 100 kg - brushed # 15.24.265
- 150 kg - brushed # 15.24.268
- Black # 15.24.277



Features:

1. Open angle: 140°
2. Door hold open section: 90° and 140°-120° (Optional)
3. Two speeds adjustable
 Valve 1: 90°-0°
 Valve 2: 30°-0°

Glass thickness	Application of rubber gasket
	Thickness (1,5 mm)
10 mm	4
12 mm	4
14 mm	2
16 mm	2

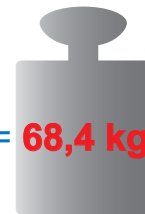


H = m
B = m
T = mm!

Example

H = 1,9 m
B = 1,2 m
T = 12 mm

$$1,9 \times 1,2 \times 2,5 \times 12 = \mathbf{68,4 \text{ kg}}$$



$$= H_{(m)} \times B_{(m)} \times 2,5 \times T_{(mm)}$$



- high quality furniture fittings

Item No.: 99.00.021-0

30.01.2024

SISO A/S

Mileparken 11 Phone: (+45) 45 830 900
DK - 2740 Skovlunde (Copenhagen) E-mail: siso@siso.dk
Denmark Web: www.siso.dk